

Job Name: 25-4212 - Greentree Lane Sewer
 Job Location: Mt. Washington, KY
 Contractor: Citgo Waterworks

Plant: 100

Tech: J. Horsley - F

12/10/2025 2:26:21 PM

PC: C. Goff



Structure ID: A4

P2 MH060RSVF-D

MH RISER w/DROP Custom Ht T/G

- P5) 24" - CASTING HEIGHT - 4.75"
- P4) 48" - ECC CONE w/ 24" HOLE NO STEP F/G - 30"
- P3) 60" - MH Transition Slab 48" Hole T/G - 13"
- P2) 60" - MH RISER w/DROP Custom Ht T/G - 48"
- P1) 60" - MH BASE w/DROP NO STEPS T/n - 42"
- 1) JOINT WRAP - 0.065"x6"x50' CONSEAL CS212
- 1) JOINT WRAP PRIMER - CONSEAL CS-75 (1 gal.)
- 1) 60" - MH INVERT CHANNEL - FULL HEIGHT
- 1) SPECIAL Internal Coating - Carboline 300M
- 1) SECONDARY POUR - Add Drop to Base
- 1) SECONDARY POUR - Add Drop to Riser
- 2) 60" - Conseal CS-102 1.00" (Double)
- 1) 48" - Conseal CS-102 1.00" (Double)
- 2) Kor-N-Seal2 - S206-22
- 1) Drop Tee - 12" PVC
- 1) Drop Elbow - 12" PVC
- 196.07 SqFt) Carboline Bitumastic 300M [INT]

- 0 lb
- 2050 lb
- 1928 lb
- 4949 lb
- 6665 lb
- 0 lb
- 0 lb
- 2692 lb
- 0 lb
- 2150 lb
- 2064 lb
- 0 lb
- 0 lb
- 13 lb
- 0 lb
- 0 lb
- 0 lb
-
- Structure Total: 22511 lb

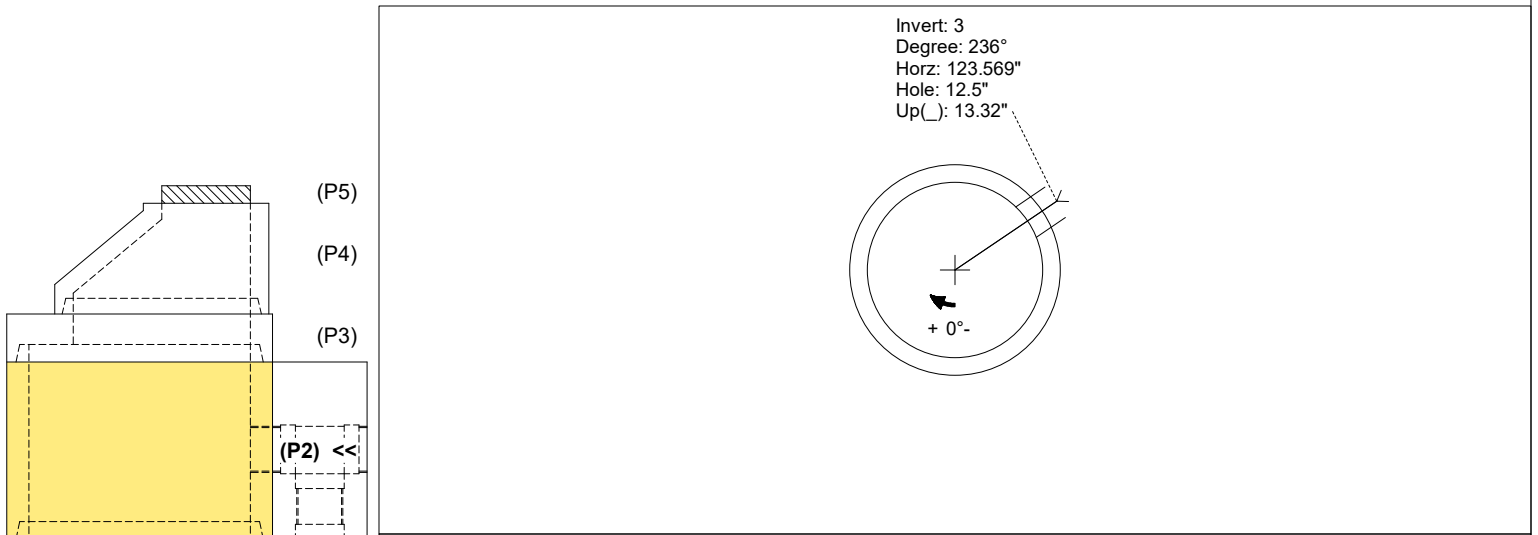
- Structure Notes:**
1. PER ASTM C-478 SPECIFICATIONS
 2. CONCRETE: 4,000 PSI AT 28 DAYS
 3. REINFORCEMENT: PER ASTM A615
 4. NO STEPS
 5. CARBOLINE 300M INTERNAL COATING REQUIRED
 6. CASTING SUPPLIED BY OTHERS
 7. EXTERNAL DROP AT INVERTS 3 & 4 SUPPLIED BY ICAST

FIRST POUR (RISER): 4,949 LBS
SECOND POUR (DROP): 2,064 LBS

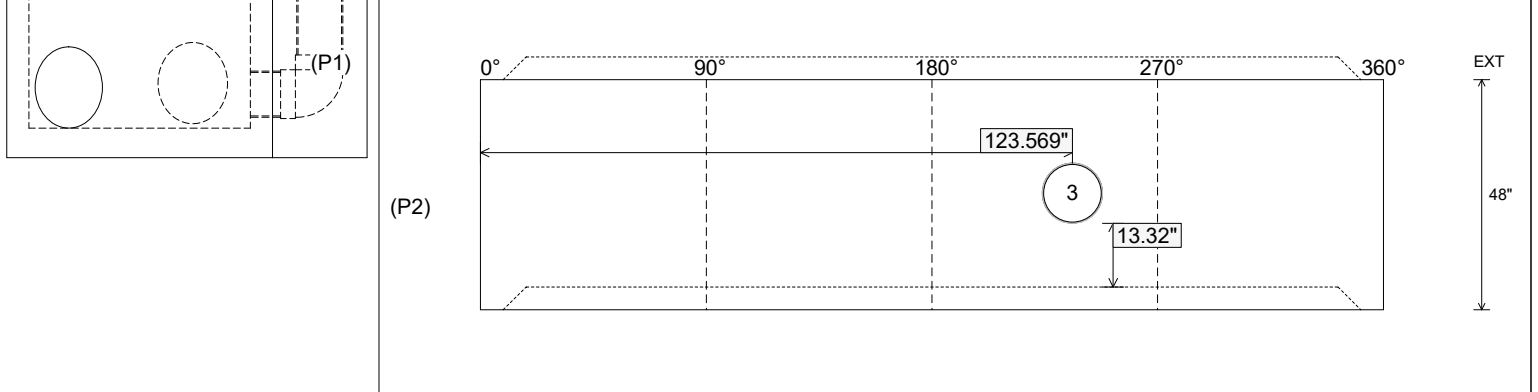
Rim: 669.83' Rim to Invert: 11.36' Slack: 0.57" Sump: 2" Step Position:

Position	Elev	Angle	Ext. (cw)	Pipe	Pipe OD	Connector	Hole	Horz Size	Up ()	Offset
Invert 1										
Invert 2										
Invert 3	663.33'	236°	148.283"	12" PVC SDR35	12.5"	Drop Tee 12" PVC	12.5"	12.592"	13.32"	0"
Invert 4										
Invert 5										
Invert 6										
Invert 7										
Invert 8										

RIGHT-SIDE UP VIEW (int. dimensions)



INSIDE WALL DIMENSIONS



Coating (Int): Carboline Bitumastic 300M Coating (Ext):	Seam Up: Tongue Seam Dn: Groove	Wall Thickness: 6" Floor Height: 0"	Height (Int): 48" Height (Ext): 48"	Weight (Net): 4949 lb Volume (Net): 1.26cu.yd
--	------------------------------------	--	--	--

Job Name: 25-4212 - Greentree Lane Sewer
 Job Location: Mt. Washington, KY
 Contractor: Citgo Waterworks

Plant: 100

Tech: J. Horsley - F

12/10/2025 2:26:21 PM

PC: C. Goff



Structure ID: A4

P2 MH060RSVF-D

MH RISER w/DROP Custom Ht T/G

- P5) 24" - CASTING HEIGHT - 4.75"
- P4) 48" - ECC CONE w/ 24" HOLE NO STEP F/G - 30"
- P3) 60" - MH Transition Slab 48" Hole T/G - 13"
- P2) 60" - MH RISER w/DROP Custom Ht T/G - 48"
- P1) 60" - MH BASE w/DROP NO STEPS T/n - 42"
- 1) JOINT WRAP - 0.065"x6"x50' CONSEAL CS212
- 1) JOINT WRAP PRIMER - CONSEAL CS-75 (1 gal.)
- 1) 60" - MH INVERT CHANNEL - FULL HEIGHT
- 1) SPECIAL Internal Coating - Carboline 300M
- 1) SECONDARY POUR - Add Drop to Base
- 1) SECONDARY POUR - Add Drop to Riser
- 2) 60" - Conseal CS-102 1.00" (Double)
- 1) 48" - Conseal CS-102 1.00" (Double)
- 2) Kor-N-Seal2 - S206-22
- 1) Drop Tee - 12" PVC
- 1) Drop Elbow - 12" PVC
- 196.07 SqFt) Carboline Bitumastic 300M [INT]

- 0 lb
- 2050 lb
- 1928 lb
- 4949 lb
- 6665 lb
- 0 lb
- 0 lb
- 2692 lb
- 0 lb
- 2150 lb
- 2064 lb
- 0 lb
- 0 lb
- 13 lb
- 0 lb
- 0 lb
- 0 lb
-
- Structure Total: 22511 lb

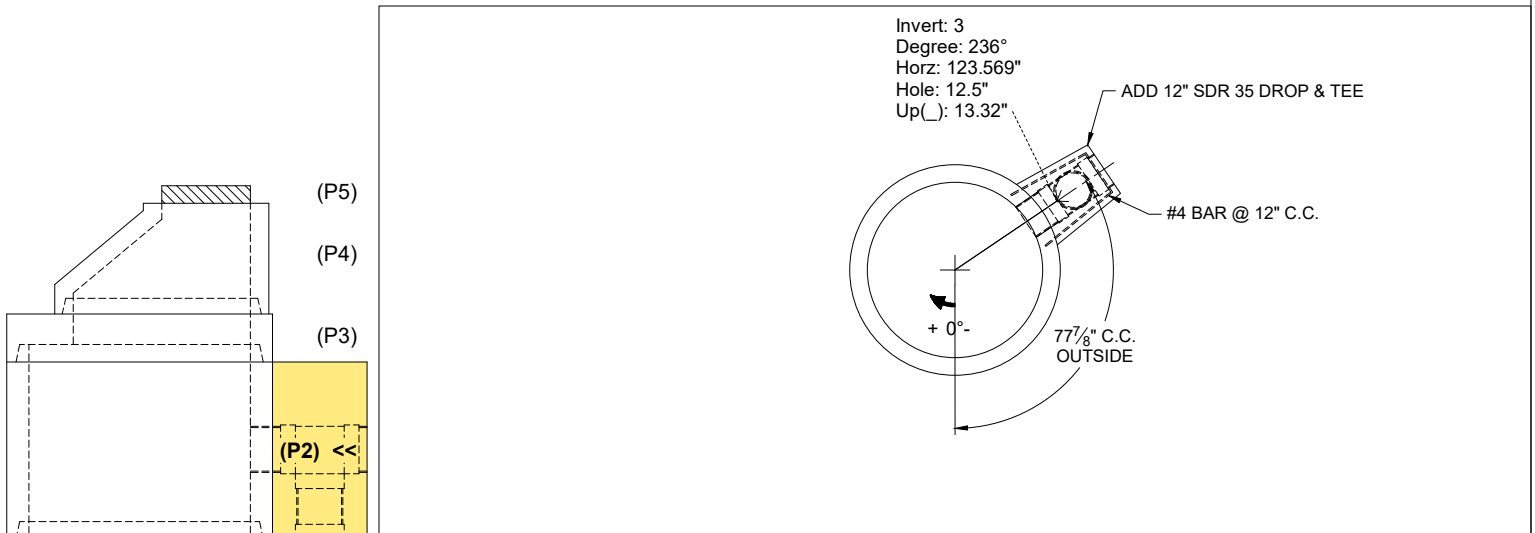
- Structure Notes:**
1. PER ASTM C-478 SPECIFICATIONS
 2. CONCRETE: 4,000 PSI AT 28 DAYS
 3. REINFORCEMENT: PER ASTM A615
 4. NO STEPS
 5. CARBOLINE 300M INTERNAL COATING REQUIRED
 6. CASTING SUPPLIED BY OTHERS
 7. EXTERNAL DROP AT INVERTS 3 & 4 SUPPLIED BY ICAST

FIRST POUR (RISER): 4,949 LBS
SECOND POUR (DROP): 2,064 LBS

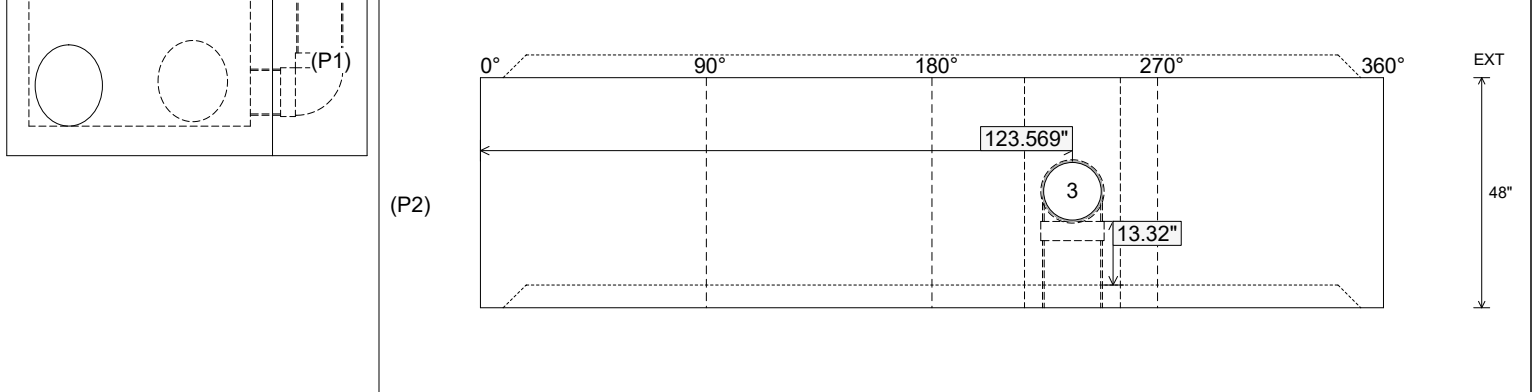
Rim: 669.83' Rim to Invert: 11.36' Slack: 0.57" Sump: 2" Step Position:

Position	Elev	Angle	Ext. (cw)	Pipe	Pipe OD	Connector	Hole	Horz Size	Up ()	Offset
Invert 1										
Invert 2										
Invert 3	663.33'	236°	148.283"	12" PVC SDR35	12.5"	Drop Tee 12" PVC	12.5"	12.592"	13.32"	0"
Invert 4										
Invert 5										
Invert 6										
Invert 7										
Invert 8										

RIGHT-SIDE UP VIEW (int. dimensions)



INSIDE WALL DIMENSIONS



Coating (Int): Carboline Bitumastic 300M
 Coating (Ext):

Seam Up: Tongue
 Seam Dn: Groove

Wall Thickness: 6"
 Floor Height: 0"

Height (Int): 48"
 Height (Ext): 48"

Weight (Net): 4949 lb
 Volume (Net): 1.26cu.yd