

Job Name: 25-4212 - Greentree Lane Sewer
Job Location: Mt. Washington, KY
Contractor: Citgo Waterworks

PC: C. Goff
 TECH: J. Horsley - F
 Plant: 100



Structure ID: **A3**

Spec: Sanitary
 Type: SAN.MH Transition
 Size: 60"

Rim: 669.29'
 Invert: 658.12'
 Rim to Invert: 11.17'

Sump: 2"
 Floor (Top): 657.953'
 Floor Height: 8"

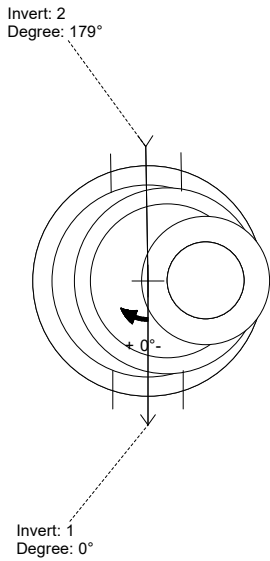
Floor (Bot): 657.287'
 Overall Height: 11.979'
 Slack: 0.29"

Structure Notes:

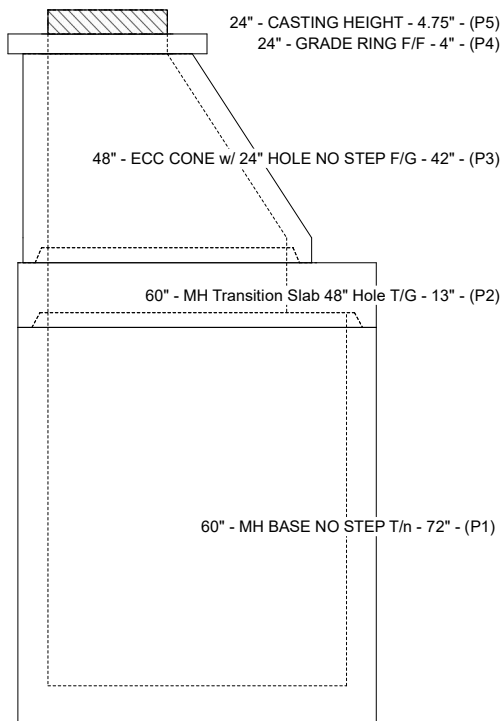
1. PER ASTM C-478 SPECIFICATIONS
2. CONCRETE: 4,000 PSI AT 28 DAYS
3. REINFORCEMENT: PER ASTM A615
4. NO STEPS
5. CARBOLINE 300M INTERNAL COATING REQUIRED
6. INVERT CHANNEL REQUIRED
7. CASTING SUPPLIED BY OTHERS

STRUCTURE SUMMARY:

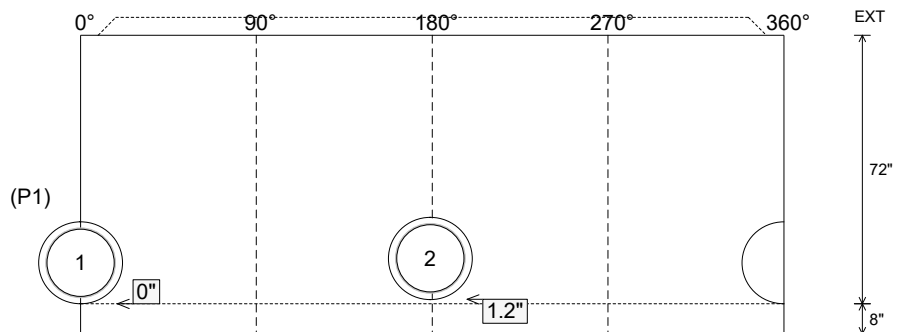
- P5) 24" - CASTING HEIGHT - 4.75" 0 lb
 - P4) 24" - GRADE RING F/F - 4" 270 lb
 - P3) 48" - ECC CONE w/ 24" HOLE NO STEP F/G - 42" 3000 lb
 - P2) 60" - MH Transition Slab 48" Hole T/G - 13" 1928 lb
 - P1) 60" - MH BASE NO STEP T/n - 72" 9859 lb
 - 1) JOINT WRAP - 0.065"x6"x50' CONSEAL CS212 0 lb
 - 1) JOINT WRAP PRIMER - CONSEAL CS-75 (1 gal.) 0 lb
 - 1) 60" - MH INVERT CHANNEL - FULL HEIGHT 2692 lb
 - 1) SPECIAL Internal Coating - Carboline 300M 0 lb
 - 1) 60" - Conseal CS-102 1.00" (Double) 0 lb
 - 1) 48" - Conseal CS-102 1.00" (Double) 0 lb
 - 2) Kor-N-Seal2 - S206-22 13 lb
 - 181.44 SqFt) Carboline Bitumastic 300M [INT] 0 lb
- Structure Total: 17762 lb



Position	Elev	Angle	Pipe	Pipe OD	Hole	Connector	Up (L)	Ref
Rim	669.29'							
Reducer	663.953'							
Invert 1	658.12'	0°	18" PVC SDR35	18.75"	22"	Kor-N-Seal2 S206-22	0"	P1
Invert 2	658.22'	179°	18" PVC SDR35	18.75"	22"	Kor-N-Seal2 S206-22	1.2"	P1
Invert 3								
Invert 4								
Invert 5								
Invert 6								
Invert 7								
Invert 8								



Cast (Int. Dim.) - Interior Dimensions



Submittal Drawing
 12/10/2025 2:20:14 PM

SUBMITTAL
 APPROVED BY: