

Job Name: 25-4212 - Greentree Lane Sewer  
 Job Location: Mt. Washington, KY  
 Contractor: Citgo Waterworks

Plant: 100  
 12/10/2025 2:26:42 PM

Tech: J. Horsley - F  
 PC: C. Goff



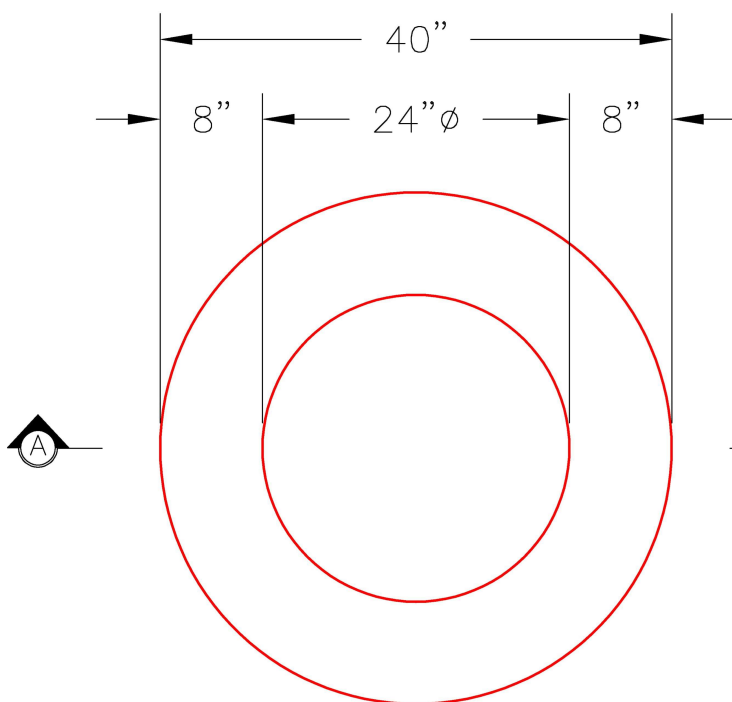
**Structure ID: A3**

**P4 GR4**

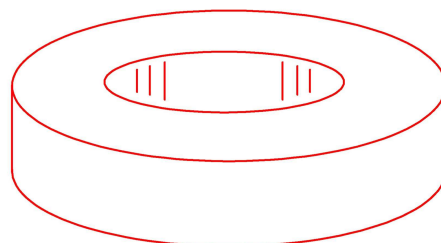
**GRADE RING F/F**

P5) 24" - CASTING HEIGHT - 4.75"	0 lb
P4) 24" - GRADE RING F/F - 4"	270 lb
P3) 48" - ECC CONE w/ 24" HOLE NO STEP F/G - 42"	3000 lb
P2) 60" - MH Transition Slab 48" Hole T/G - 13"	1928 lb
P1) 60" - MH BASE NO STEP T/n - 72"	9859 lb
1) JOINT WRAP - 0.065"x6"x50' CONSEAL CS212	0 lb
1) JOINT WRAP PRIMER - CONSEAL CS-75 (1 gal.)	0 lb
1) 60" - MH INVERT CHANNEL - FULL HEIGHT	2692 lb
1) SPECIAL Internal Coating - Carboline 300M	0 lb
1) 60" - Conseal CS-102 1.00" (Double)	0 lb
1) 48" - Conseal CS-102 1.00" (Double)	0 lb
2) Kor-N-Seal2 - S206-22	13 lb
181.44 SqFt) Carboline Bitumastic 300M [INT]	0 lb
Structure Total:	17762 lb

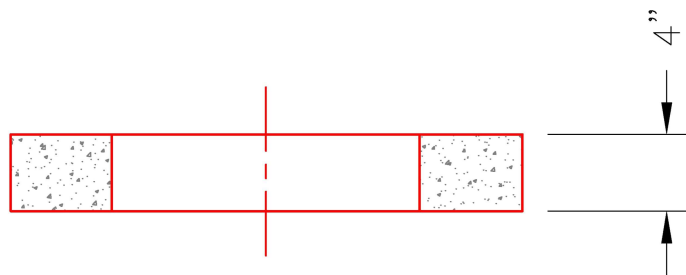
**Structure Notes:**  
 1. PER ASTM C-478 SPECIFICATIONS  
 2. CONCRETE: 4,000 PSI AT 28 DAYS  
 3. REINFORCEMENT: (1) #3 HOOP CENTERED (GRADE 60)



**PLAN VIEW**



**ISOMETRIC VIEW**



**SECTION A-A**

Coating (Int): Carboline Bitumastic 300M Coating (Ext):	Seam Up: Flat Seam Dn: Flat	Wall Thickness: 8"	Height (Ext): 4"	Weight (Net): 270 lb Volume (Net): 0.07cu.yd
--	--------------------------------	--------------------	------------------	---