

Job Name: 25-4212 - Greentree Lane Sewer
 Job Location: Mt. Washington, KY
 Contractor: Citgo Waterworks

Plant: 100

Tech: J. Horsley - F

12/10/2025 2:26:41 PM

PC: C. Goff



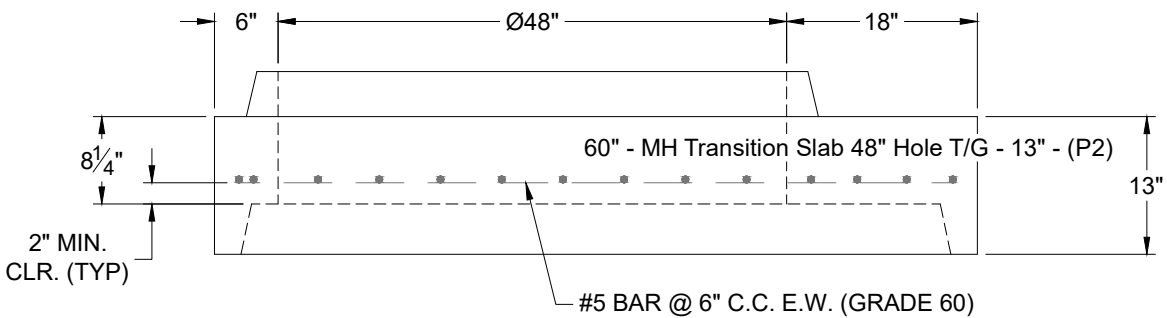
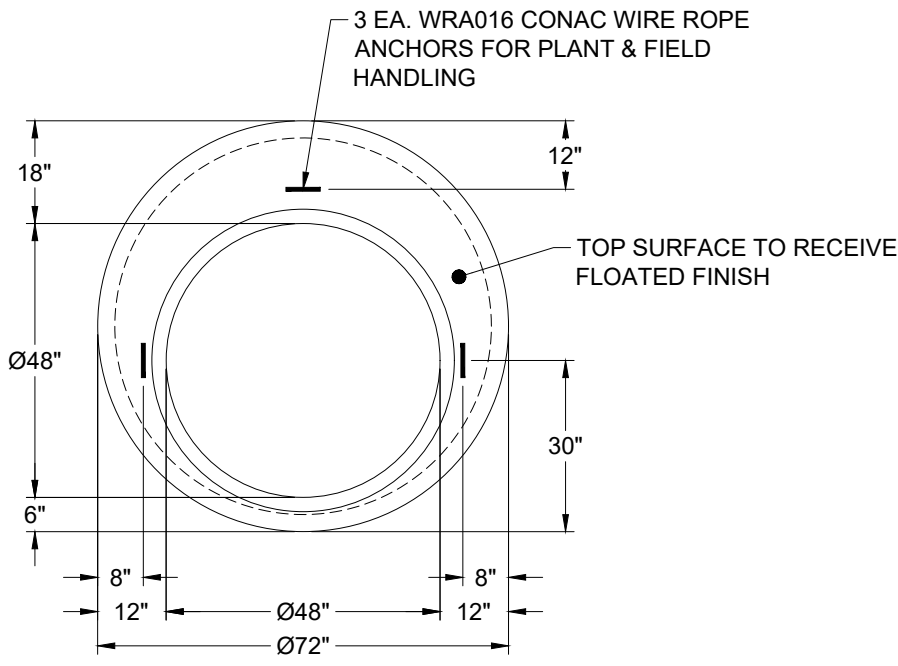
Structure ID: A3

P2 MH060TS13-48ECC

MH Transition Slab 48" Hole T/G

P5) 24" - CASTING HEIGHT - 4.75"	0 lb
P4) 24" - GRADE RING F/F - 4"	270 lb
P3) 48" - ECC CONE w/ 24" HOLE NO STEP F/G - 42"	3000 lb
P2) 60" - MH Transition Slab 48" Hole T/G - 13"	1928 lb
P1) 60" - MH BASE NO STEP T/n - 72"	9859 lb
1) JOINT WRAP - 0.065"x6"x50' CONSEAL CS212	0 lb
1) JOINT WRAP PRIMER - CONSEAL CS-75 (1 gal.)	0 lb
1) 60" - MH INVERT CHANNEL - FULL HEIGHT	2692 lb
1) SPECIAL Internal Coating - Carboline 300M	0 lb
1) 60" - Conseal CS-102 1.00" (Double)	0 lb
1) 48" - Conseal CS-102 1.00" (Double)	0 lb
2) Kor-N-Seal2 - S206-22	13 lb
181.44 SqFt) Carboline Bitumastic 300M [INT]	0 lb
Structure Total:	17762 lb

- Structure Notes:**
- PER ASTM C-478 SPECIFICATIONS
 - CONCRETE: 4,000 PSI AT 28 DAYS
 - REINFORCEMENT: #5 BAR @ 6" C.C. E.W. (GRADE 60) - 2" MIN. REBAR CLEARANCE (TYP)
 - NO STEPS
 - CARBOLINE 300M INTERNAL COATING REQUIRED
 - CASTING SUPPLIED BY OTHERS
 - LIFTERS: 3 EA. WRA016 CONAC WIRE ROPE ANCHORS FOR PLANT & FIELD HANDLING



Coating (Int): Carboline Bitumastic 300M Coating (Ext):	Seam Up: Tongue Seam Dn: Groove	Wall Thickness: 6"	Height (Ext): 13"	Weight (Net): 1928 lb Volume (Net): 0.49cu.yd
--	------------------------------------	--------------------	-------------------	--