

Job Name: 25-4212 - Greentree Lane Sewer
Job Location: Mt. Washington, KY
Contractor: Citgo Waterworks

PC: C. Goff
 TECH: J. Horsley - F
 Plant: 100



Structure ID: **A2**
 Spec: Sanitary
 Type: SAN.MH Transition
 Size: 60"

Rim: 666.76'
 Invert: 655.84'
 Rim to Invert: 10.92'

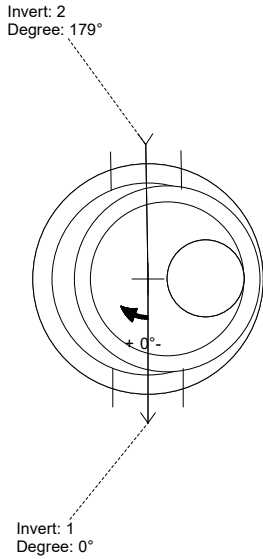
Sump: 2"
 Floor (Top): 655.673'
 Floor Height: 8"

Floor (Bot): 655.007'
 Overall Height: 11.646'
 Slack: 1.29"

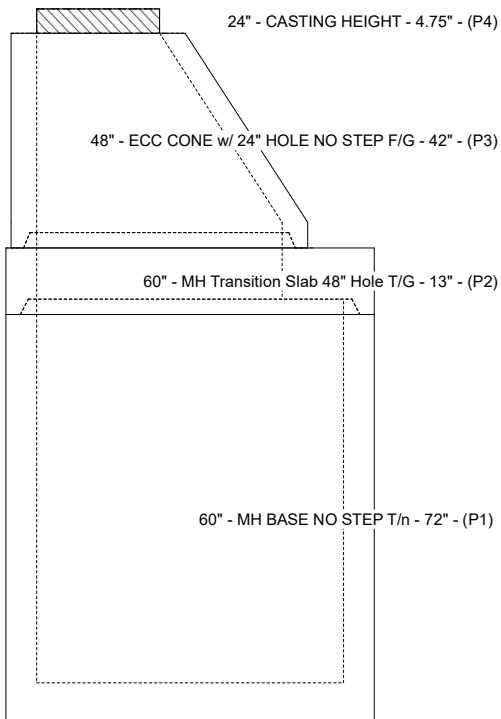
- Structure Notes:**
1. PER ASTM C-478 SPECIFICATIONS
 2. CONCRETE: 4,000 PSI AT 28 DAYS
 3. REINFORCEMENT: PER ASTM A615
 4. NO STEPS
 5. CARBOLINE 300M INTERNAL COATING REQUIRED
 6. INVERT CHANNEL REQUIRED
 7. CASTING SUPPLIED BY OTHERS

STRUCTURE SUMMARY:

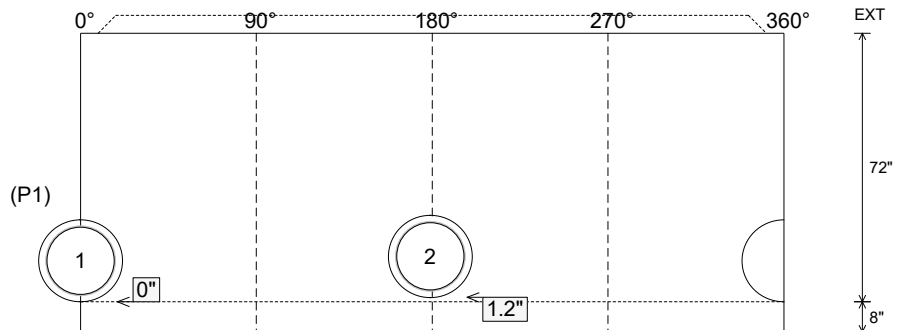
- | | | |
|-----|--|----------|
| P4) | 24" - CASTING HEIGHT - 4.75" | 0 lb |
| P3) | 48" - ECC CONE w/ 24" HOLE NO STEP F/G - 42" | 3000 lb |
| P2) | 60" - MH Transition Slab 48" Hole T/G - 13" | 1928 lb |
| P1) | 60" - MH BASE NO STEP T/n - 72" | 9859 lb |
| 1) | JOINT WRAP - 0.065"x6"x50' CONSEAL CS212 | 0 lb |
| 1) | JOINT WRAP PRIMER - CONSEAL CS-75 (1 gal.) | 0 lb |
| 1) | 60" - MH INVERT CHANNEL - FULL HEIGHT | 2692 lb |
| 1) | SPECIAL Internal Coating - Carboline 300M | 0 lb |
| 1) | 60" - Conseal CS-102 1.00" (Double) | 0 lb |
| 1) | 48" - Conseal CS-102 1.00" (Double) | 0 lb |
| 2) | Kor-N-Seal2 - S206-22 | 13 lb |
| | 181.44 SqFt) Carboline Bitumastic 300M [INT] | 0 lb |
| | | ----- |
| | Structure Total: | 17492 lb |



Position	Elev	Angle	Pipe	Pipe OD	Hole	Connector	Up (")	Ref
Rim	666.76'							
Reducer	661.673'							
Invert 1	655.84'	0°	18" PVC SDR35	18.75"	22"	Kor-N-Seal2 S206-22	0"	P1
Invert 2	655.94'	179°	18" PVC SDR35	18.75"	22"	Kor-N-Seal2 S206-22	1.2"	P1
Invert 3								
Invert 4								
Invert 5								
Invert 6								
Invert 7								
Invert 8								



Cast (Int. Dim.) - Interior Dimensions



Submittal Drawing
 12/10/2025 2:20:13 PM

SUBMITTAL
 APPROVED BY: