

Job Name: 25-4212 - Greentree Lane Sewer
 Job Location: Mt. Washington, KY
 Contractor: Citgo Waterworks

Plant: 100

Tech: J. Horsley - F

12/10/2025 2:26:41 PM

PC: C. Goff



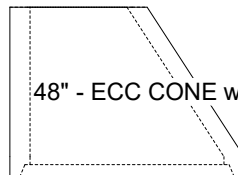
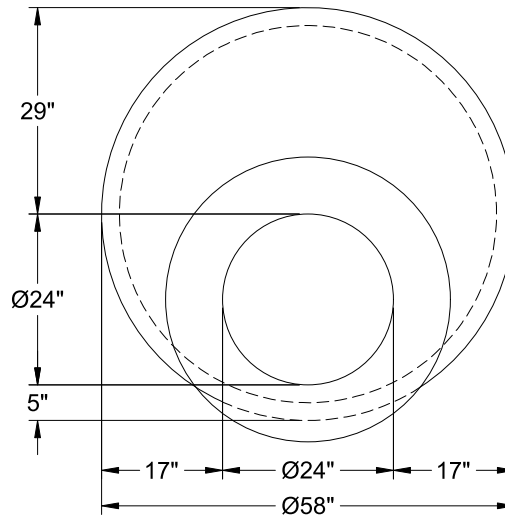
Structure ID: A2

P3 MH048CN42-S

ECC CONE w/ 24" HOLE NO STEP F/G

| | |
|--|----------|
| P4) 24" - CASTING HEIGHT - 4.75" | 0 lb |
| P3) 48" - ECC CONE w/ 24" HOLE NO STEP F/G - 42" | 3000 lb |
| P2) 60" - MH Transition Slab 48" Hole T/G - 13" | 1928 lb |
| P1) 60" - MH BASE NO STEP T/n - 72" | 9859 lb |
| 1) JOINT WRAP - 0.065"x6"x50' CONSEAL CS212 | 0 lb |
| 1) JOINT WRAP PRIMER - CONSEAL CS-75 (1 gal.) | 0 lb |
| 1) 60" - MH INVERT CHANNEL - FULL HEIGHT | 2692 lb |
| 1) SPECIAL Internal Coating - Carboline 300M | 0 lb |
| 1) 60" - Conseal CS-102 1.00" (Double) | 0 lb |
| 1) 48" - Conseal CS-102 1.00" (Double) | 0 lb |
| 2) Kor-N-Seal2 - S206-22 | 13 lb |
| 181.44 SqFt) Carboline Bitumastic 300M [INT] | 0 lb |
| Structure Total: | 17492 lb |

Structure Notes:
 1. PER ASTM C-478 SPECIFICATIONS
 2. CONCRETE: 4,000 PSI AT 28 DAYS
 3. REINFORCEMENT: PER ASTM A615
 4. NO STEPS
 5. CARBOLINE 300M INTERNAL COATING REQUIRED
 6. CASTING SUPPLIED BY OTHERS



48" - ECC CONE w/ 24" HOLE NO STEP F/G - 42" - (P3)

Coating (Int): Carboline Bitumastic 300M
 Coating (Ext):

Seam Up: Flat
 Seam Dn: Groove

Wall Thickness: 5"

Height (Ext): 42"

Weight (Net): 3000 lb
 Volume (Net): 0.5cu.yd