

Job Name: 25-4212 - Greentree Lane Sewer
 Job Location: Mt. Washington, KY
 Contractor: Citgo Waterworks

Plant: 100

Tech: J. Horsley - F

12/10/2025 2:25:44 PM

PC: C. Goff



Structure ID: A2

P1 MH060BA72

MH BASE NO STEP T/n

| | |
|--|----------|
| P4) 24" - CASTING HEIGHT - 4.75" | 0 lb |
| P3) 48" - ECC CONE w/ 24" HOLE NO STEP F/G - 42" | 3000 lb |
| P2) 60" - MH Transition Slab 48" Hole T/G - 13" | 1928 lb |
| P1) 60" - MH BASE NO STEP T/n - 72" | 9859 lb |
| 1) JOINT WRAP - 0.065"x6"x50' CONSEAL CS212 | 0 lb |
| 1) JOINT WRAP PRIMER - CONSEAL CS-75 (1 gal.) | 0 lb |
| 1) 60" - MH INVERT CHANNEL - FULL HEIGHT | 2692 lb |
| 1) SPECIAL Internal Coating - Carboline 300M | 0 lb |
| 1) 60" - Conseal CS-102 1.00" (Double) | 0 lb |
| 1) 48" - Conseal CS-102 1.00" (Double) | 0 lb |
| 2) Kor-N-Seal2 - S206-22 | 13 lb |
| 181.44 SqFt) Carboline Bitumastic 300M [INT] | 0 lb |
| Structure Total: | 17492 lb |

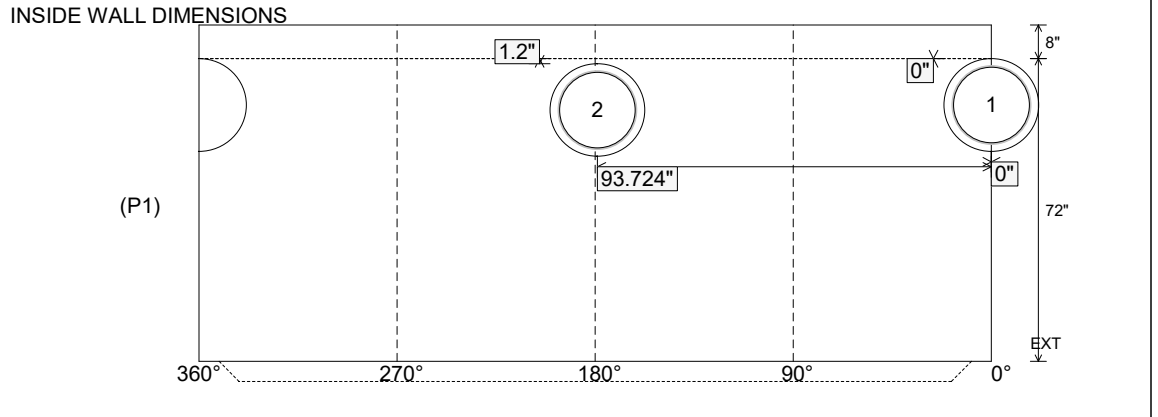
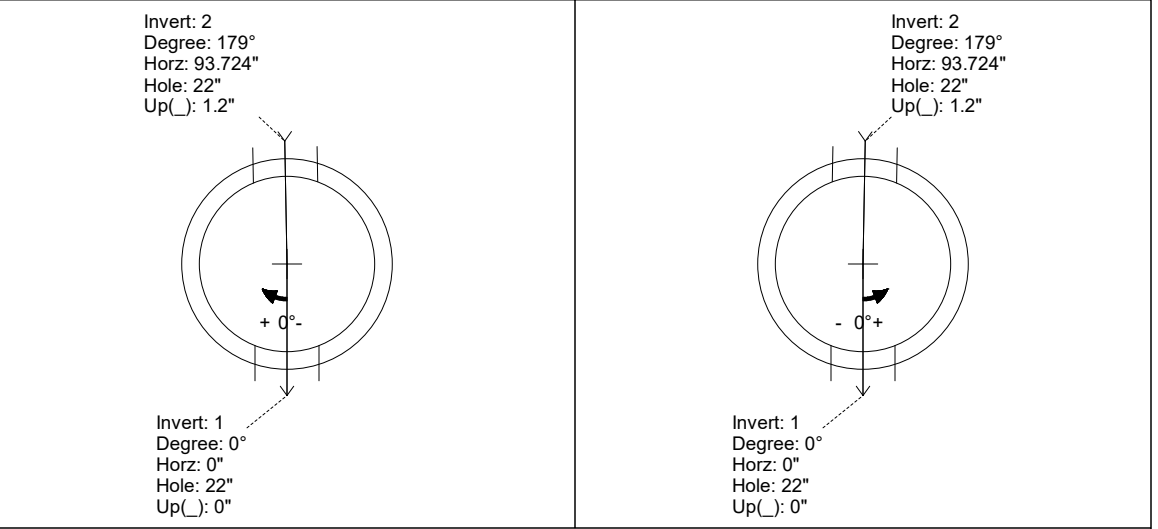
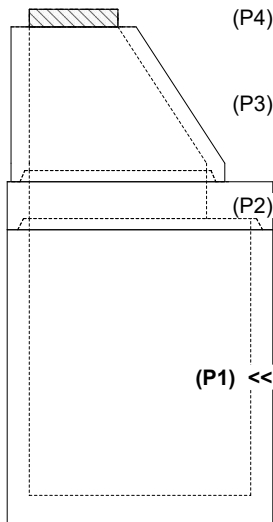
- Structure Notes:**
- PER ASTM C-478 SPECIFICATIONS
 - CONCRETE: 4,000 PSI AT 28 DAYS
 - REINFORCEMENT: PER ASTM A615
 - NO STEPS
 - CARBOLINE 300M INTERNAL COATING REQUIRED
 - INVERT CHANNEL REQUIRED
 - CASTING SUPPLIED BY OTHERS

Rim: 666.76' Rim to Invert: 10.92' Slack: 1.29" Sump: 2" Step Position:

| Position | Elev | Angle | Ext. (cw) | Pipe | Pipe OD | Connector | Hole | Horz Size | Up () | Offset |
|----------|---------|-------|-----------|---------------|---------|---------------------|------|-----------|--------|--------|
| Invert 1 | 655.84' | 0° | 0" | 18" PVC SDR35 | 18.75" | Kor-N-Seal2 S206-22 | 22" | 22.525" | 0" | 0" |
| Invert 2 | 655.94' | 179° | 112.469" | 18" PVC SDR35 | 18.75" | Kor-N-Seal2 S206-22 | 22" | 22.525" | 1.2" | 0" |
| Invert 3 | | | | | | | | | | |
| Invert 4 | | | | | | | | | | |
| Invert 5 | | | | | | | | | | |
| Invert 6 | | | | | | | | | | |
| Invert 7 | | | | | | | | | | |
| Invert 8 | | | | | | | | | | |

RIGHT-SIDE UP VIEW (int. dimensions)

UPSIDE-DOWN VIEW (int. dimensions)



| | | | | |
|--|---------------------------------|--|--|--|
| Coating (Int): Carboline Bitumastic 300M Coating (Ext): | Seam Up: Tongue Seam Dn: n/a | Wall Thickness: 6" Floor Height: 8" | Height (Int): 72" Height (Ext): 80" | Weight (Net): 9859 lb Volume (Net): 2.52cu.yd |
|--|---------------------------------|--|--|--|

Structure ID: A2

P1 MH060BA72

MH BASE NO STEP T/n

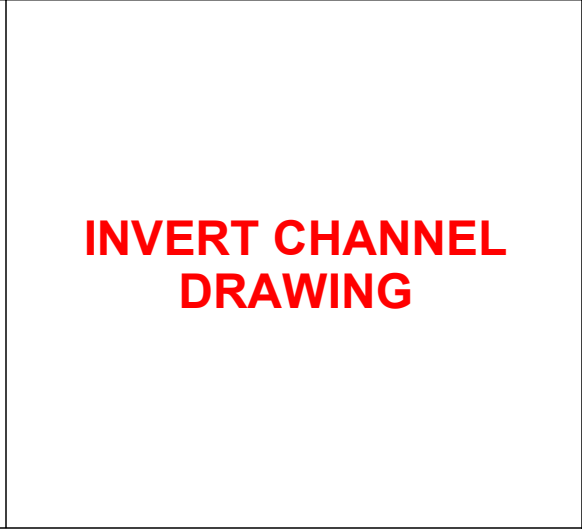
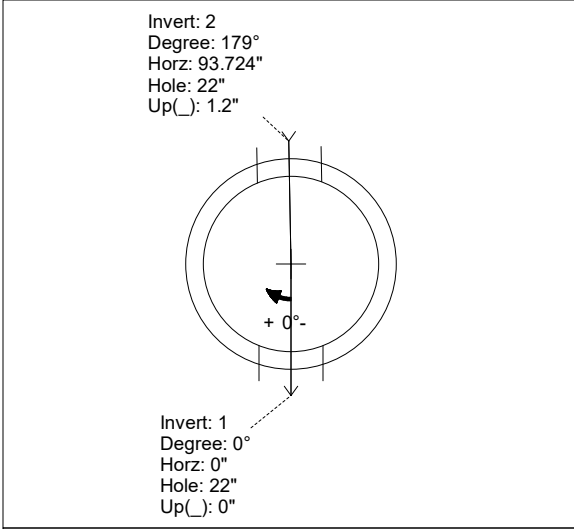
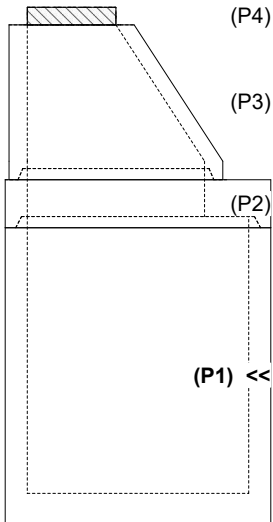
| | | |
|--|---|--|
| P4) 24" - CASTING HEIGHT - 4.75" P3) 48" - ECC CONE w/ 24" HOLE NO STEP F/G - 42" P2) 60" - MH Transition Slab 48" Hole T/G - 13" P1) 60" - MH BASE NO STEP T/n - 72" 1) JOINT WRAP - 0.065"x6"x50' CONSEAL CS212 1) JOINT WRAP PRIMER - CONSEAL CS-75 (1 gal.) 1) 60" - MH INVERT CHANNEL - FULL HEIGHT 1) SPECIAL Internal Coating - Carboline 300M 1) 60" - Conseal CS-102 1.00" (Double) 1) 48" - Conseal CS-102 1.00" (Double) 2) Kor-N-Seal2 - S206-22 181.44 SqFt) Carboline Bitumastic 300M [INT] | 0 lb 3000 lb 1928 lb 9859 lb 0 lb 0 lb 2692 lb 0 lb 0 lb 0 lb 0 lb 13 lb 0 lb | Structure Notes: 1. PER ASTM C-478 SPECIFICATIONS 2. CONCRETE: 4,000 PSI AT 28 DAYS 3. REINFORCEMENT: PER ASTM A615 4. NO STEPS 5. CARBOLINE 300M INTERNAL COATING REQUIRED 6. INVERT CHANNEL REQUIRED 7. CASTING SUPPLIED BY OTHERS |
| Structure Total: | | 17492 lb |

Rim: 666.76' Rim to Invert: 10.92' Slack: 1.29" Sump: 2" Step Position:

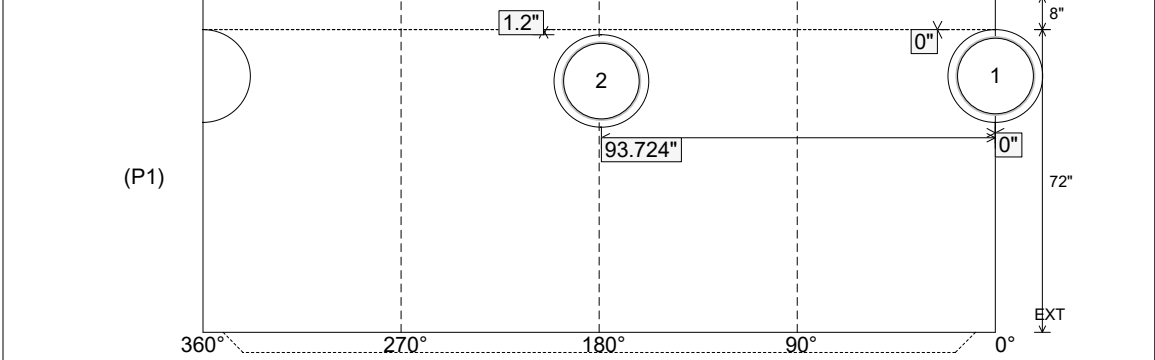
| Position | Elev | Angle | Ext. (cw) | Pipe | Pipe OD | Connector | Hole | Horz Size | Up () | Offset |
|----------|---------|-------|-----------|---------------|---------|---------------------|------|-----------|--------|--------|
| Invert 1 | 655.84' | 0° | 0" | 18" PVC SDR35 | 18.75" | Kor-N-Seal2 S206-22 | 22" | 22.525" | 0" | 0" |
| Invert 2 | 655.94' | 179° | 112.469" | 18" PVC SDR35 | 18.75" | Kor-N-Seal2 S206-22 | 22" | 22.525" | 1.2" | 0" |
| Invert 3 | | | | | | | | | | |
| Invert 4 | | | | | | | | | | |
| Invert 5 | | | | | | | | | | |
| Invert 6 | | | | | | | | | | |
| Invert 7 | | | | | | | | | | |
| Invert 8 | | | | | | | | | | |

RIGHT-SIDE UP VIEW (int. dimensions)

UPSIDE-DOWN VIEW (int. dimensions)



INSIDE WALL DIMENSIONS



| | | | | |
|--|---------------------------------|--|--|--|
| Coating (Int): Carboline Bitumastic 300M Coating (Ext): | Seam Up: Tongue Seam Dn: n/a | Wall Thickness: 6" Floor Height: 8" | Height (Int): 72" Height (Ext): 80" | Weight (Net): 9859 lb Volume (Net): 2.52cu.yd |
|--|---------------------------------|--|--|--|