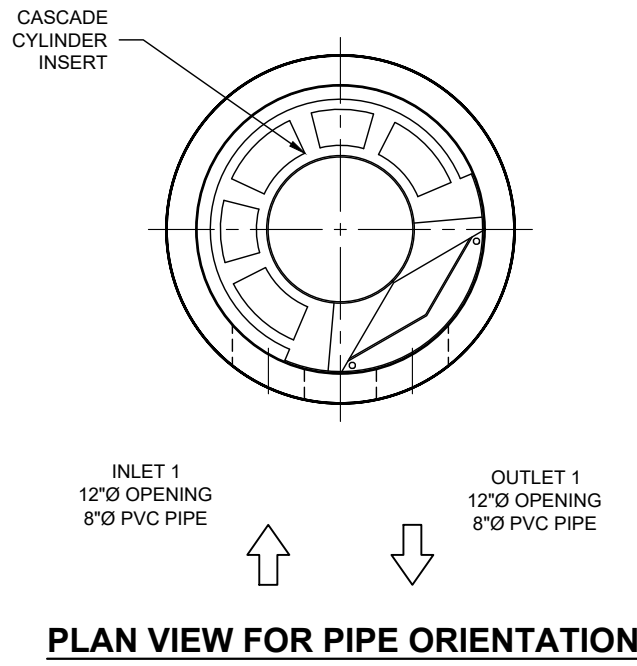
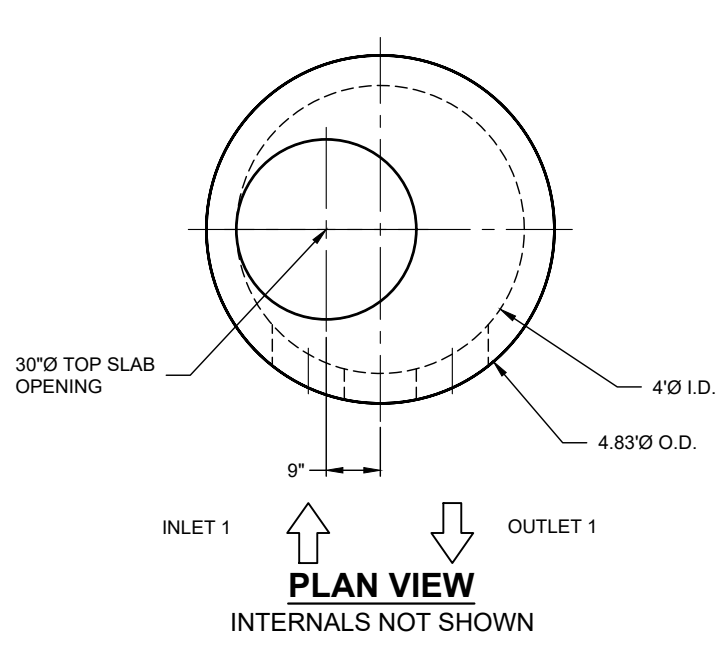
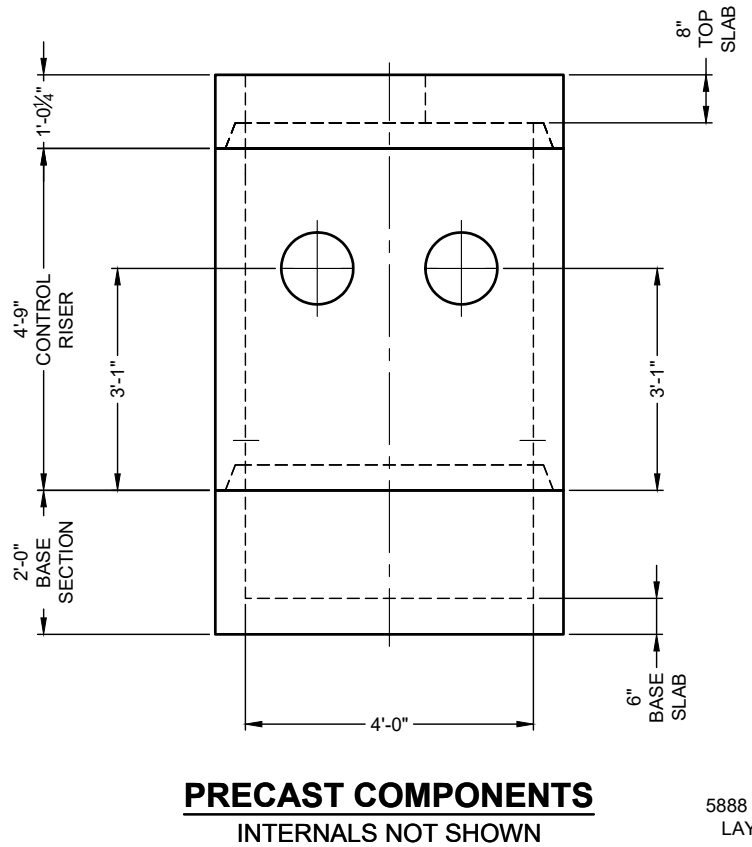
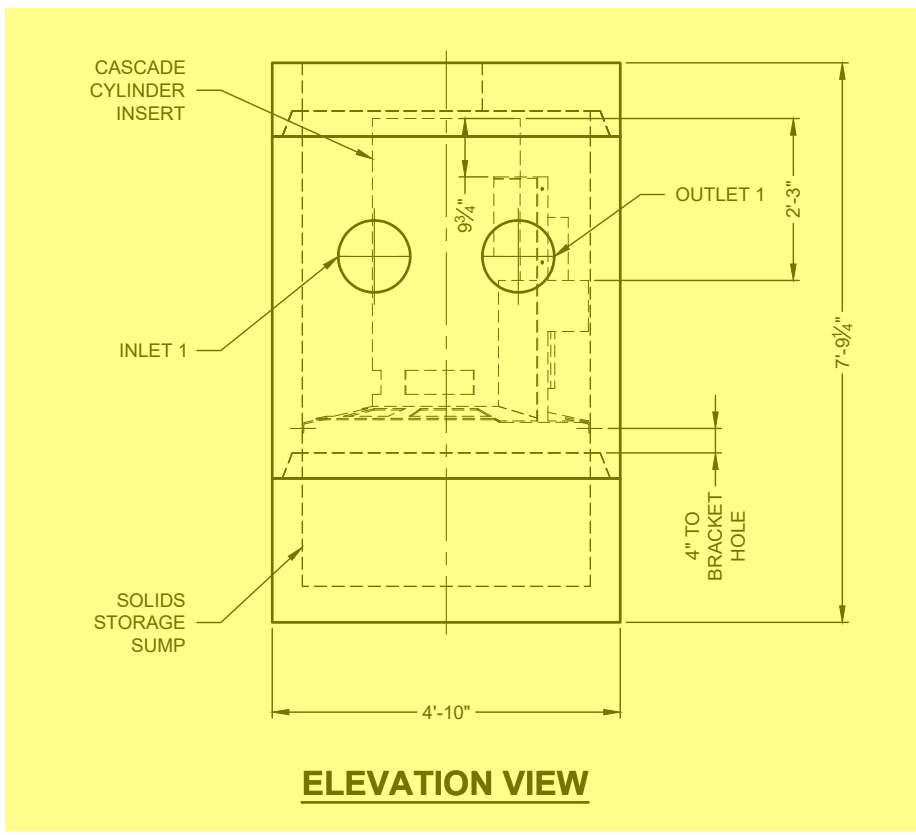


25-3677 - 809335 Petersburg Park



10-CS-4
ICAST to fully pre-assemble
internal materials prior to shipment.

SEE INSTALLATION NOTE A



ICAST
 5888 / 757440
 LAYOUT 1A
 4.17TS

CONTECH
FABRICATION
 DRAWING

MATERIAL LIST

COUNT	DESCRIPTION	PART NUMBER	PROVIDED BY	INSTALLED BY
1	CS-4 CYLINDER INSERT, STD.	325-003949	CONTECH	PRECASTER
4	CS-4 ALUMINUM INSTALLATION BRACKETS	325-003956	CONTECH	PRECASTER
1	CS-4 HARDWARE KIT	325-003955	CONTECH	PRECASTER
1	SEALANT FOR JOINTS		PRECASTER	CONTRACTOR
1	30"Ø X 4" FRAME AND COVER, EJ #41600483, OR EQUIV.	325-000332	CONTECH	CONTRACTOR

GENERAL NOTES

- DESIGN LOADING - AASHTO HS-20
- ALL PRECAST CONCRETE MANUFACTURED PARTS SHALL CONFORM TO ASTM C-478, WITH MINIMUM CONCRETE STRENGTH OF 4000 PSI AT 28 DAYS
- JOINT SEALANT SHALL CONFORM TO ASTM C-990 OR ASTM C-443
- GROUND WATER ELEVATION ASSUMED AT OUTLET INVERT
- MANUFACTURING TOLERANCE = +/- 1/2-INCH
- SOME HIDDEN LINES MAY BE OMITTED FOR CLARITY

INSTALLATION NOTES

- PRECASTER TO SHIP ACCESS CASTINGS WITH STRUCTURE
- REFER TO CONTECH ASSEMBLY INSTRUCTIONS FOR ADDITIONAL INFORMATION.
- PRECASTER TO INSTALL INTERNAL COMPONENTS PRIOR TO SHIPPING UNLESS INSTRUCTED OTHERWISE BY CONTECH
- PIPE OPENINGS SHALL BE STENCILED "INLET" OR "OUTLET" AS APPROPRIATE
- APPLYING ALIGNMENT MARKS ON ALL PIECES OF MULTIPLE PIECE ASSEMBLIES IS ENCOURAGED
- IF STRUCTURE IS DELIVERED IN MULTIPLE SECTIONS, EACH PIECE SHALL BE LABELED WITH THE CONTECH PROJECT NUMBER, SEQUENCE NUMBER AND SITE DESIGNATION

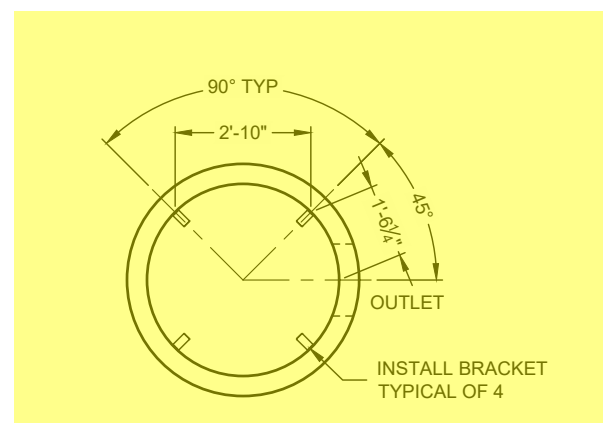
SITE INFORMATION

RIM ELEV. = 486.75+/-
 TOP OF STRUCTURE = 486.22
 INLET PIPE 1 INVERT ELEV. = 483.20
 INLET PIPE 1 DIAMETER AND MATERIAL = 8"Ø PVC
 OUTLET PIPE INVERT ELEV. = 483.20
 OUTLET PIPE DIAMETER AND MATERIAL = 8"Ø PVC
 OUTSIDE BOTTOM OF STRUCTURE ELEV. = 478.45

STRUCTURE WEIGHT

APPROXIMATE HEAVIEST PICK = 4500 LBS.
 STRUCTURE IS DELIVERED IN 3 PIECES

TOP SLAB = 2000 LBS.
 CONTROL RISER = 4500
 BASE SECTION = 3000 LBS.



SUPPORT BRACKET LAYOUT PLAN VIEW

The design and information shown on this drawing is the property of CONTECH Construction Products, Inc. or one of its affiliated companies ("CONTECH"). Neither this drawing, nor any part thereof, may be used, reproduced, or transmitted in any form or by any means, electronic or mechanical, including photocopying, recording, or by any information storage and retrieval system, without the prior written consent of CONTECH. Failure to comply with these terms and conditions shall constitute a breach of contract and shall result in CONTECH's immediate and exclusive right to take any and all appropriate legal action to enforce these terms and conditions. CONTECH expressly disclaims any liability or responsibility for such use.

If discrepancies between the supplied information upon which the drawing is based and actual field conditions are encountered as site work progresses, these are to be resolved by the user. CONTECH is not responsible for any delays or costs incurred by the user as a result of the user's failure to immediately re-evaluate the design. CONTECH accepts no liability for designs based on missing, incomplete or inaccurate information supplied by others.

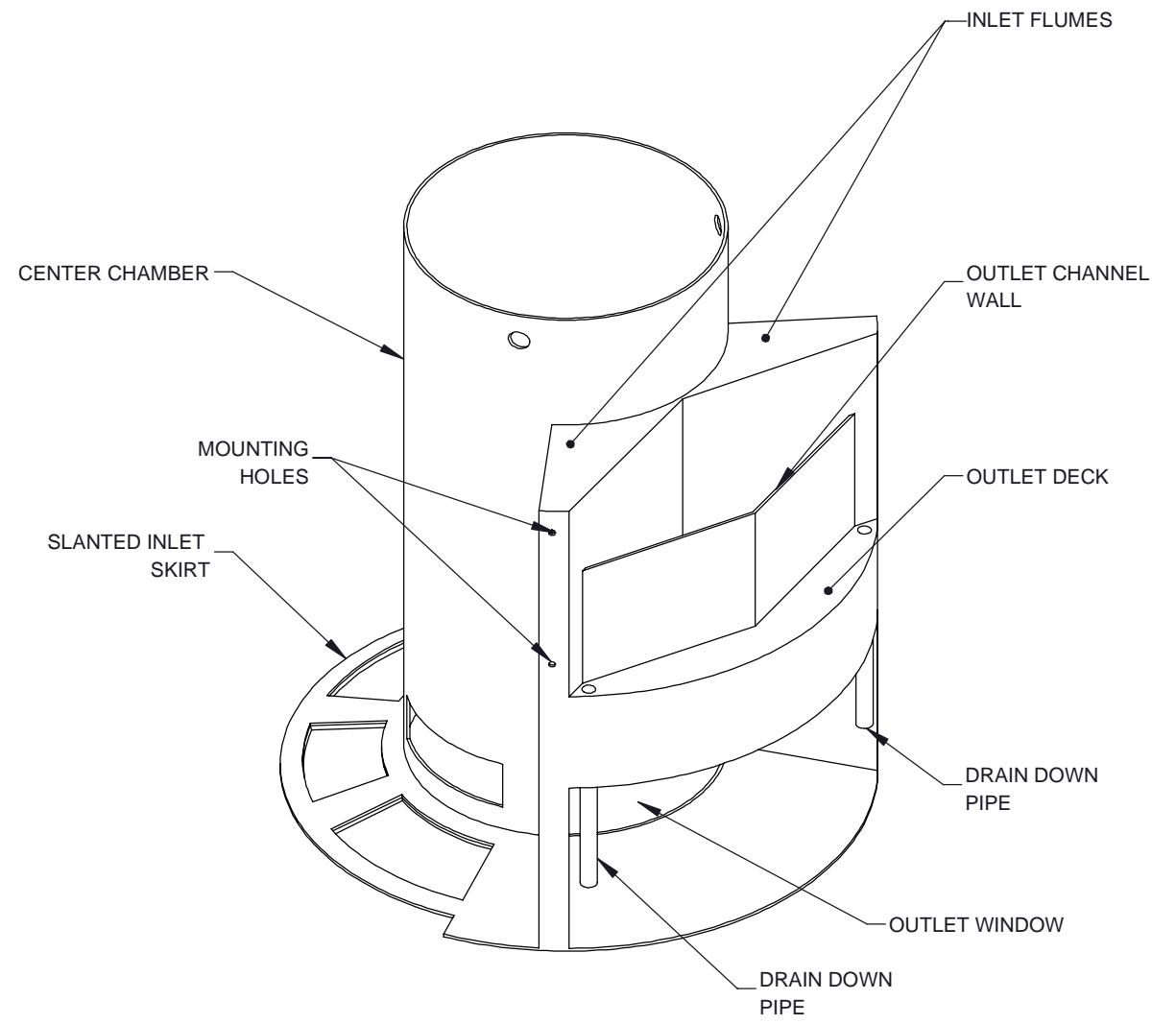
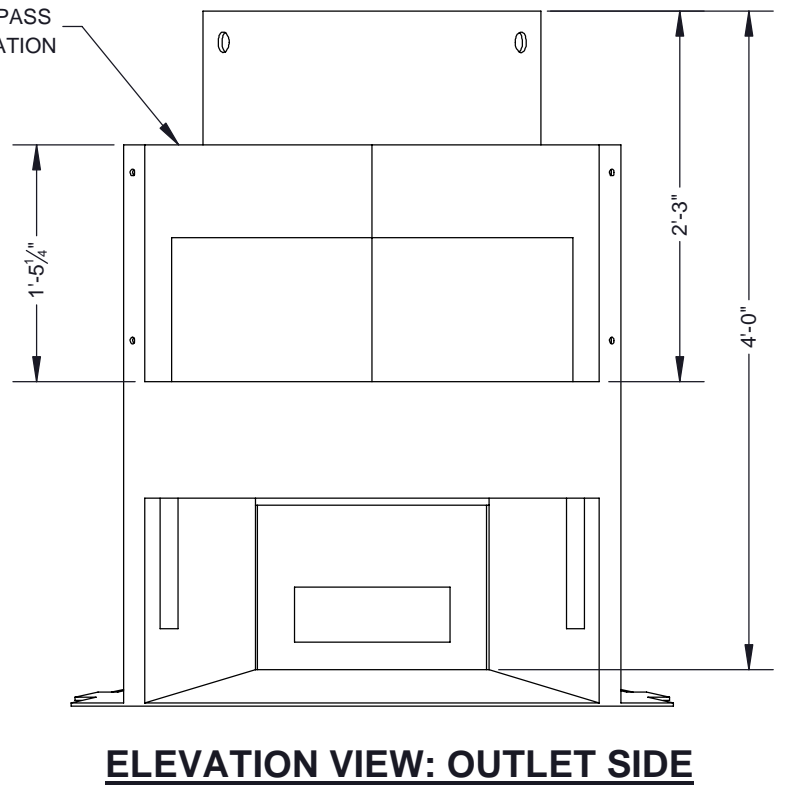
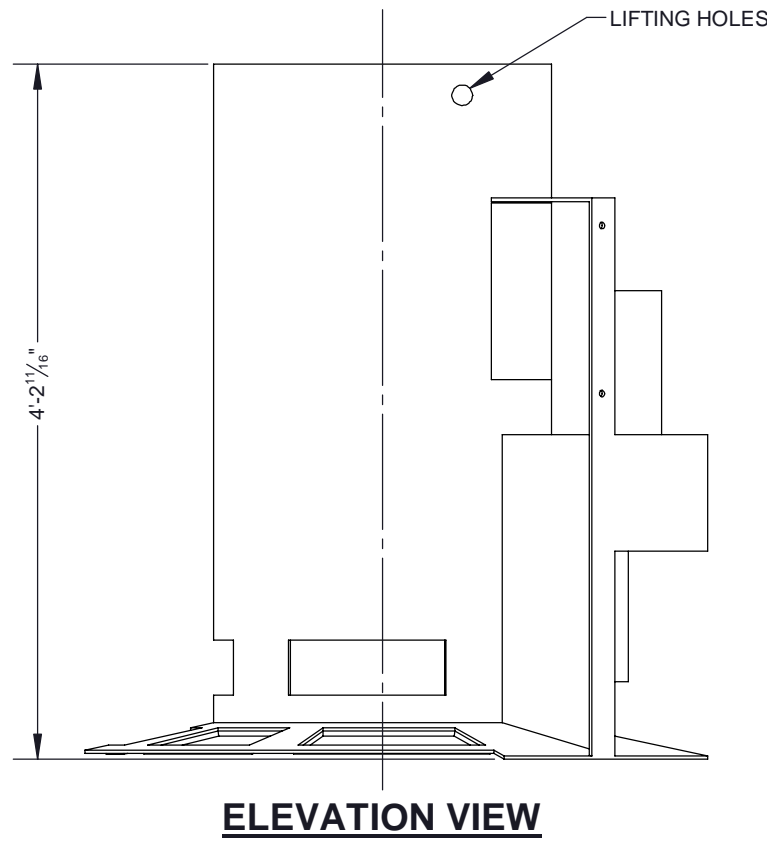
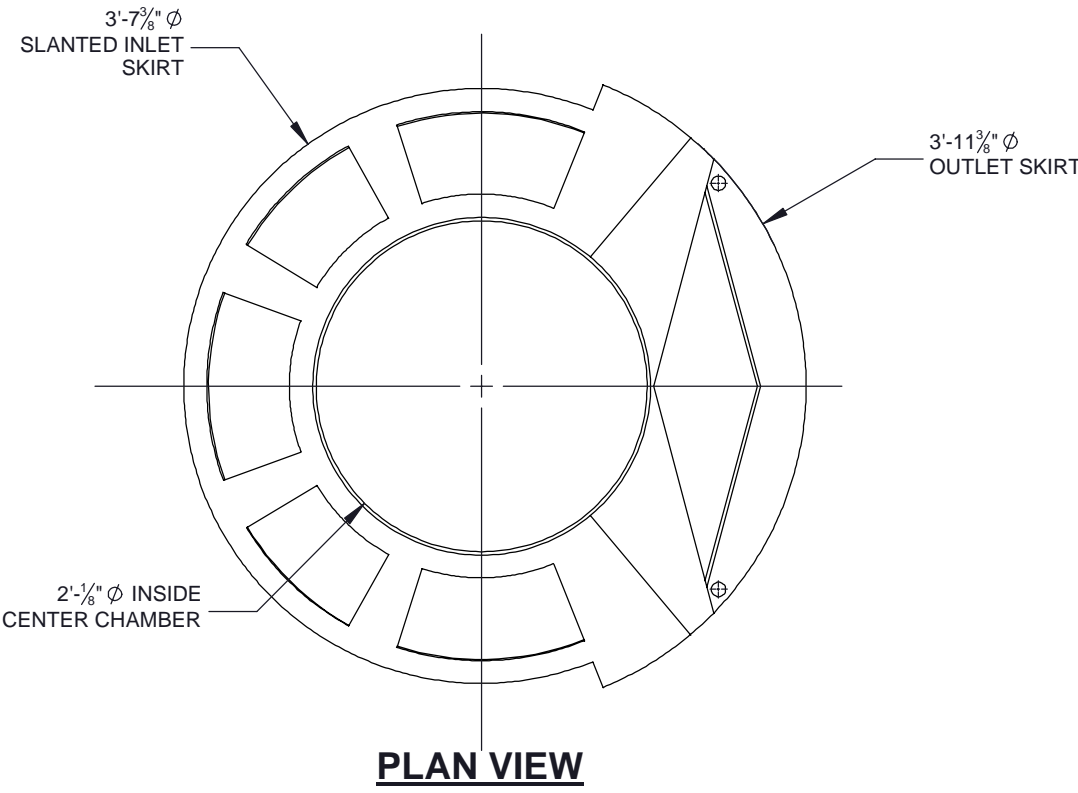
MARK	DATE	REVISION DESCRIPTION	BY

CS-4 - 809335-10
PETERSBURG PARK - TENNIS COURTS
LOUISVILLE, KY
SITE DESIGNATION: WQU-1

CONTECH
ENGINEERED SOLUTIONS LLC
A COMMITMENT TO EXCELLENCE
 810 Centre Pointe Dr., Suite 400, West Chester, OH 45380
 800.338.1122 513.645.7000 513.645.7803 FAX
CASCADE separator
FOR PATENT INFORMATION, GO TO www.contech.com/IP

DATE: 9/30/2025
 DESIGNED: MDB DRAWN: MDB
 CHECKED: LJK APPROVED: MDB
 PROJECT No.: 809335 SEQUENCE No.: 10
 SHEET: 1 OF 1

I:\QUIKRETE\NET\CONTECH\MERLIN\PROJECT\ACTIV\809335\809335-10-CS-4-CONFAB.DWG 9/30/2025 3:30 PM



NOTES:
1. SEE CASCADE SEPARATOR INSTALLATION GUIDE FOR ADDITIONAL INFORMATION

The design and information shown on this drawing is provided as a service to the project owner, engineer and contractor by Contech Engineered Solutions LLC, or one of its affiliated companies ("Contech"). Neither this drawing, nor any part thereof, may be used, reproduced or modified in any manner without the prior written consent of Contech. Failure to comply is done at the user's own risk and Contech expressly disclaims any liability or responsibility for such use.

If discrepancies between the supplied information upon which the drawing is based and actual field conditions are encountered as site work progresses, these discrepancies must be reported to Contech immediately for re-evaluation of the design. Contech accepts no liability for designs based on missing, incomplete or inaccurate information supplied by others.

CASCADE
separator™

CONTECH
ENGINEERED SOLUTIONS LLC

www.ContechES.com

9025 Centre Pointe Dr., Suite 400, West Chester, OH 45069
800-338-1122 513-645-7000 513-645-7993 FAX

REFERENCE DETAIL
INTERNALS CS-4
CASCADE SEPARATOR

THIRD ANGLE PROJECTION

UNLESS OTHERWISE SPECIFIED
DIMENSIONS ARE IN INCHES

TOLERANCES:
FRACTIONAL ± 1/16
ANGLES ± 1 DEGREE
TWO PLACE DECIMAL ± 0.06
THREE PLACE DECIMAL ± 0.030

PART NUMBER: 325-003949		
APPROVED BY: M. BROOKS	DRAWN BY: M. BROOKS	
APPROVED BY DATE: 2021.10.21	DRAWN BY DATE: 2021.09.14	REV: B
SCALE: N/A	SHEET 1 OF 1	