

Job Name: 25-3677 - 809335 Petersburg Park
 Job Location: Louisville, KY
 Contractor: Contech Engineering Solutions

Plant: Beaver Dam

Tech: J. Coppage

10/15/2025 11:52:15 AM

PC: T. Sekula



Structure ID: 10-CS-4

P2 MH048RSVF

MH RISER Custom Ht

- P4) 30" - CASTING HEIGHT - 4"
- P3) 48" - MH FLAT LID w/30in ECC Hole - 12"
- P2) 48" - MH RISER Custom Ht - 57"
- P1) 48" - MH BASE - 18"
- 1) PSASSEMBLY
- 1) CVSTENCILING
- 2) 48" - Conseal CS-102 1.00"
- 2) Hole - 12"

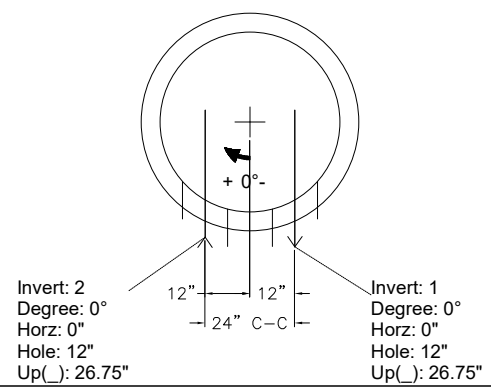
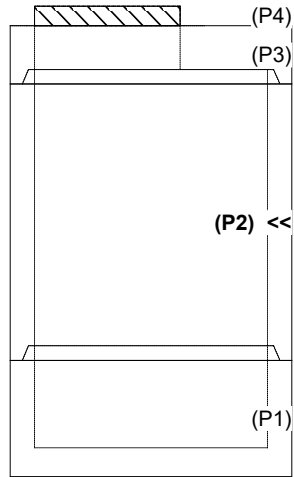
Structure Notes:
 (4" TALL CASTING PROVIDED BY OTHERS)
 LIFTING ANCHORS TO BE INSTALLED ON THE OUTSIDE OF THE STRUCTURE
 ICAST TO INSTALL THE INTERNALS
 CONTECH'S LOGO AS WELL AS THE INLET AND THE OUTLET MUST BE STENCILED ONTO THE STRUCTURE

Structure Total: 7874 lb

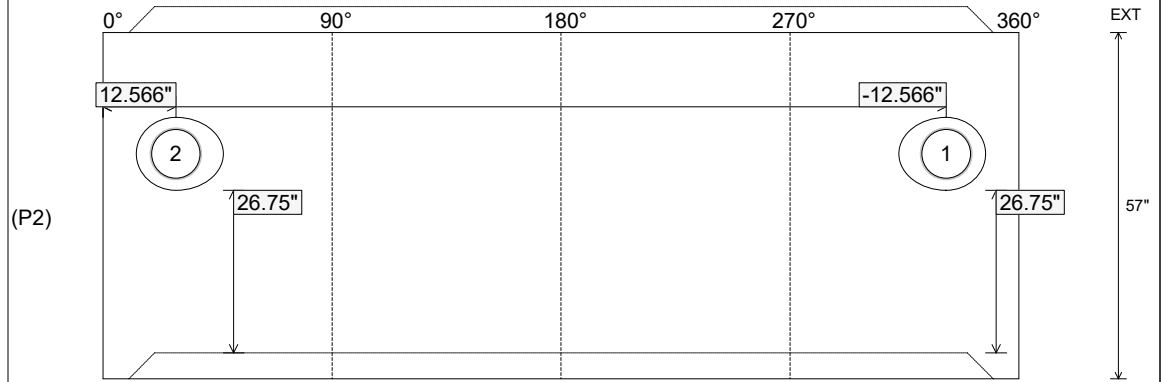
Rim: 486.75' Rim to Invert: 3.55' Slack: 2.6" Sump: 51" Step Position:

Position	Elev	Angle	Ext. (cw)	Pipe	Pipe OD	Connector	Hole	Horz Size	Up ()	Offset
Invert 1	483.2'	0°	-12.372"	8" PVC SDR35	8.5"	Hole 12	12"	14.289"	26.75"	-12"
Invert 2	483.2'	0°	12.372"	8" PVC SDR35	8.5"	Hole 12	12"	14.289"	26.75"	12"
Invert 3										
Invert 4										
Invert 5										
Invert 6										
Invert 7										
Invert 8										

RIGHT-SIDE UP VIEW (int. dimensions)



INSIDE WALL DIMENSIONS



Coating (Int): Coating (Ext):	Seam Up: Tongue Seam Dn: Groove	Wall Thickness: 5" Floor Height: 0"	Height (Int): 57" Height (Ext): 57"	Weight (Net): 3873 lb Volume (Net): 0.99cu.yd
----------------------------------	------------------------------------	--	--	--