

Job Name: 25-3675 - 830265 GLENN CDJR  
 Job Location: CRESTWOOD, KY  
 Contractor: Contech Engineering Solutions

Plant: BEAVER DAM

Tech: J. COPPAGE

10/27/2025 2:13:41 PM

PC: T. SEKULA



**Structure ID: 10-CS-5**

**P2 MH060RS72S**

**MH RISER NO STEPS**

- P5) 30" - CASTING HEIGHT - 4"
- P4) 60" - MH FLAT TOP SPEC. (30" ECC HOLE) - 13"
- P3) 60" - MH RISER NO STEPS - 72"
- P2) 60" - MH RISER NO STEPS - 72"
- P1) 60" - MH BASE - 18"
- 1) PSASSEMBLY
- 1) CVSTENCILING
- 3) 60" - Conseal CS-102 1.00"
- 2) Hole - 16

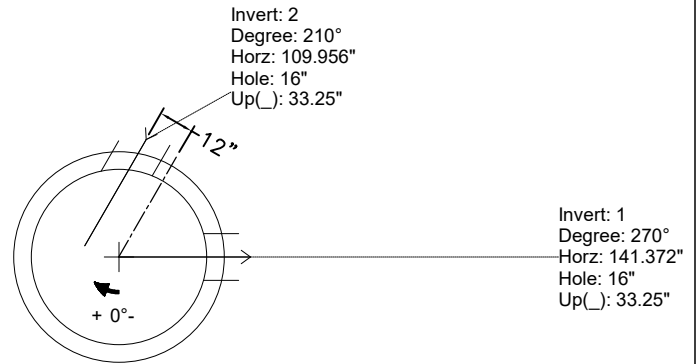
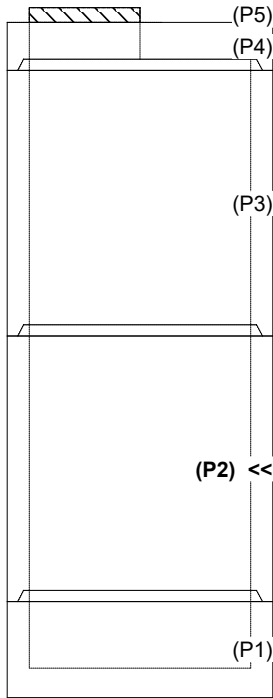
0 lb  
 2589 lb  
 7516 lb  
 7303 lb  
 4612 lb  
 0 lb  
 0 lb  
 0 lb  
 0 lb  
 0 lb  
 -----  
 Structure Total: 22021 lb

**Structure Notes:**  
 (CASTING PROVIDED BY OTHERS)  
 LIFTING HOOKS TO BE INSTALLED  
 ON THE OUTSIDE OF THE STRUCTURE  
 NOT THE INSIDE  
 CONTECH'S LOGO AS WELL AS THE  
 INLET AND THE OUTLET MUST BE  
 STENCILED ONTO THE STRUCTURE  
 ICAST TO INSTALL THE INTERNALS

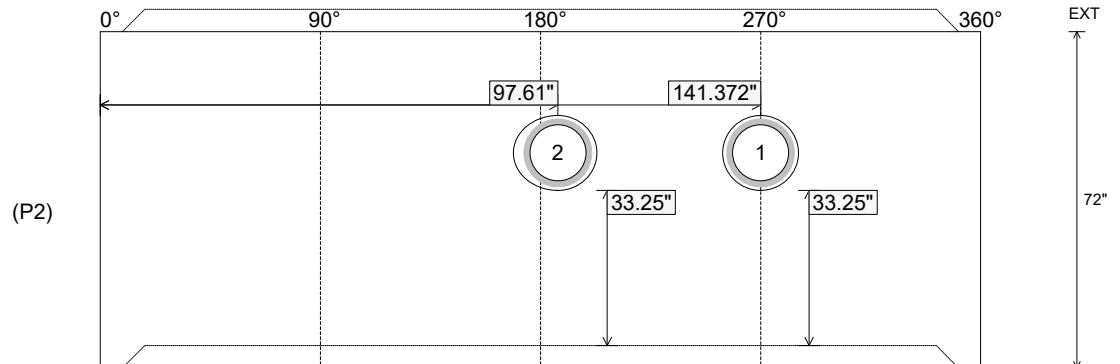
Rim: 766.33' Rim to Invert: 10.47' Slack: 4.64" Sump: 58" Step Position:

Position	Elev	Angle	Ext. (cw)	Pipe	Pipe OD	Connector	Hole	Horz Size	Up ( )	Offset
Invert 1	755.86'	270°	169.646"	12" ADS N-12	14.5"	Hole 16	16"	16.196"	33.25"	0"
Invert 2	755.86'	210°	119.713"	12" ADS N-12	14.5"	Hole 16	16"	17.88"	33.25"	-12"
Invert 3										
Invert 4										
Invert 5										
Invert 6										
Invert 7										
Invert 8										

**RIGHT-SIDE UP VIEW (int. dimensions)**



**INSIDE WALL DIMENSIONS**



Coating (Int):  
 Coating (Ext):

Seam Up: Tongue  
 Seam Dn: Groove

Wall Thickness: 6"  
 Floor Height: 0"

Height (Int): 72"  
 Height (Ext): 72"

Weight (Net): 7303 lb  
 Volume (Net): 1.86cu.yd