

**Job Name: 25-3671 - Posey Co Solar Field System**

**Job Location: Mount Vernon, IN**

**Contractor: Russell's Excavating**

PC: A. Chambers

TECH: J. Horsley - F

Plant: 100



Structure ID: **ST Gallon Tank**

Spec: Sanitary

Type: GT 1000 GAL.

Size: 60" x 120"

Rim: 461'

Invert: 458.08'

Rim to Invert: 2.92'

Sump: 34.96"

Floor (Top): 455.167'

Floor Height: 6"

Floor (Bot): 454.667'

Overall Height: 6.333'

Slack: 0"

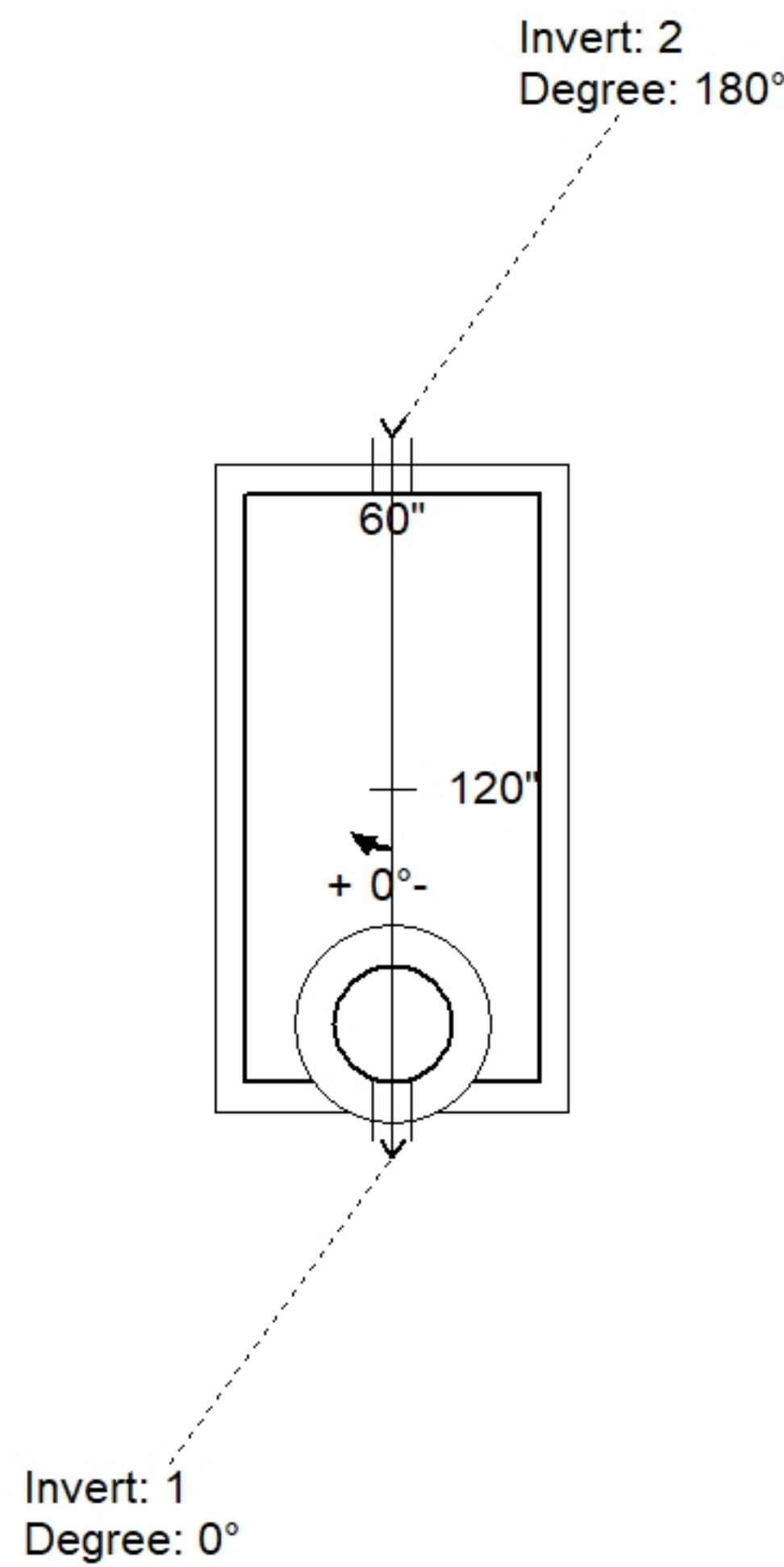
**Structure Notes:**

1. PER ASTM C913 SPECIFICATIONS.
2. CONCRETE = 4,000 PSI AT 28 DAYS.
3. NO FLOW CHANNEL.
4. HOE MC-315 F/C - SHIPPED LOOSE.
5. SECONDARY POUR REQ'D - BAFFLE WALL.

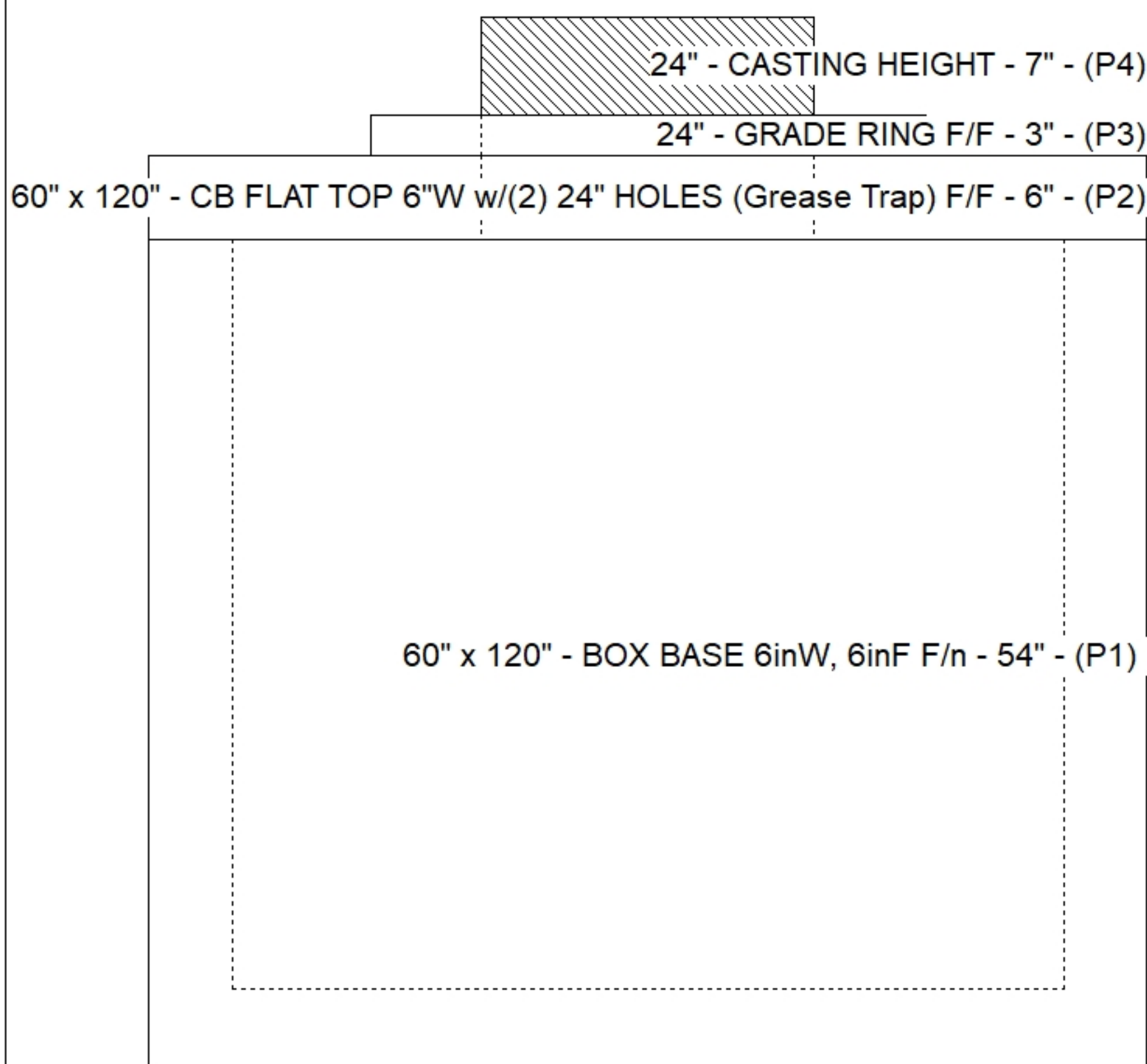
REINFORCING PER ASTM A615 (GRADE 60).  
 - TOP SLAB (As .47) #5 BARS AT 8" C.C.E.W.  
 - WALLS (As .47) #5 BARS AT 8" C.C.E.W.  
 - FLOOR (As .47) #5 BARS AT 8" C.C.E.W.

**STRUCTURE SUMMARY:**

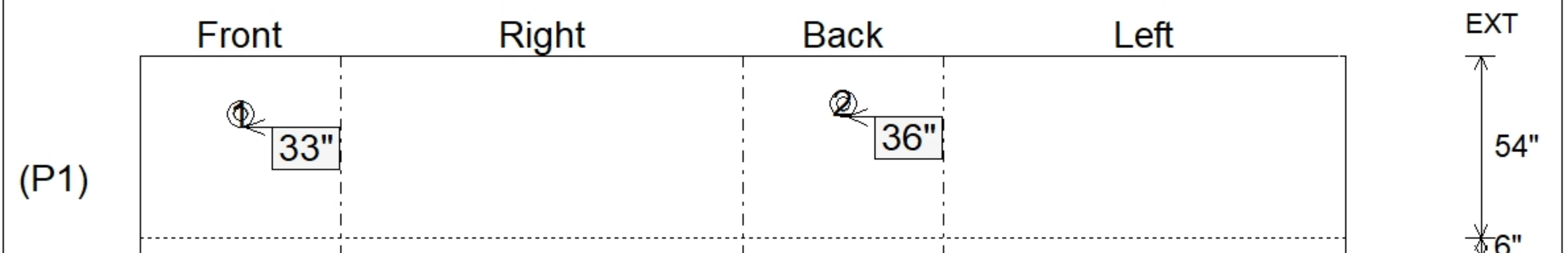
P4) 24" - CASTING HEIGHT - 7"	0 lb
P3) 24" - GRADE RING F/F - 3"	202 lb
P2) 60" x 120" - CB FLAT TOP 6"W w/(2) 24" HOLES (Grease Trap) F/F - 6"	4557 lb
P1) 60" x 120" - BOX BASE 6inW, 6inF F/n - 54"	15174 lb
1) JOINT WRAP - 0.065"x6"x50' CONSEAL CS212	0 lb
1) JOINT WRAP PRIMER - CONSEAL CS-75 (1 gal.)	0 lb
1) ADMIXTURE CONBLOCK CDA RED	0 lb
1) SECONDARY POUR	0 lb
1) 60" x 120" - Conseal CS-102 1.00" (Double)	0 lb
2) PSX - 8QRS-S NYLO	13 lb
<b>Structure Total:</b>	<b>19947 lb</b>



Position	Elev	Angle	Pipe	Pipe OD	Hole	Connector	Up (")	Ref
Rim	461'							
Reducer								
Invert 1	458.08'	0°	4" PVC SCH40	4.5"	8"	PSX 8QRS-S NYLO	33"	P1
Invert 2	458.33'	180°	4" PVC SDR26	4.25"	8"	PSX 8QRS-S NYLO	36"	P1
Invert 3								
Invert 4								
Invert 5								
Invert 6								
Invert 7								
Invert 8								



**Cast (Int. Dim.) - Interior Dimensions**



Submittal Drawing  
 11/13/2025 3:35:25 PM

SUBMITTAL  
 APPROVED BY: