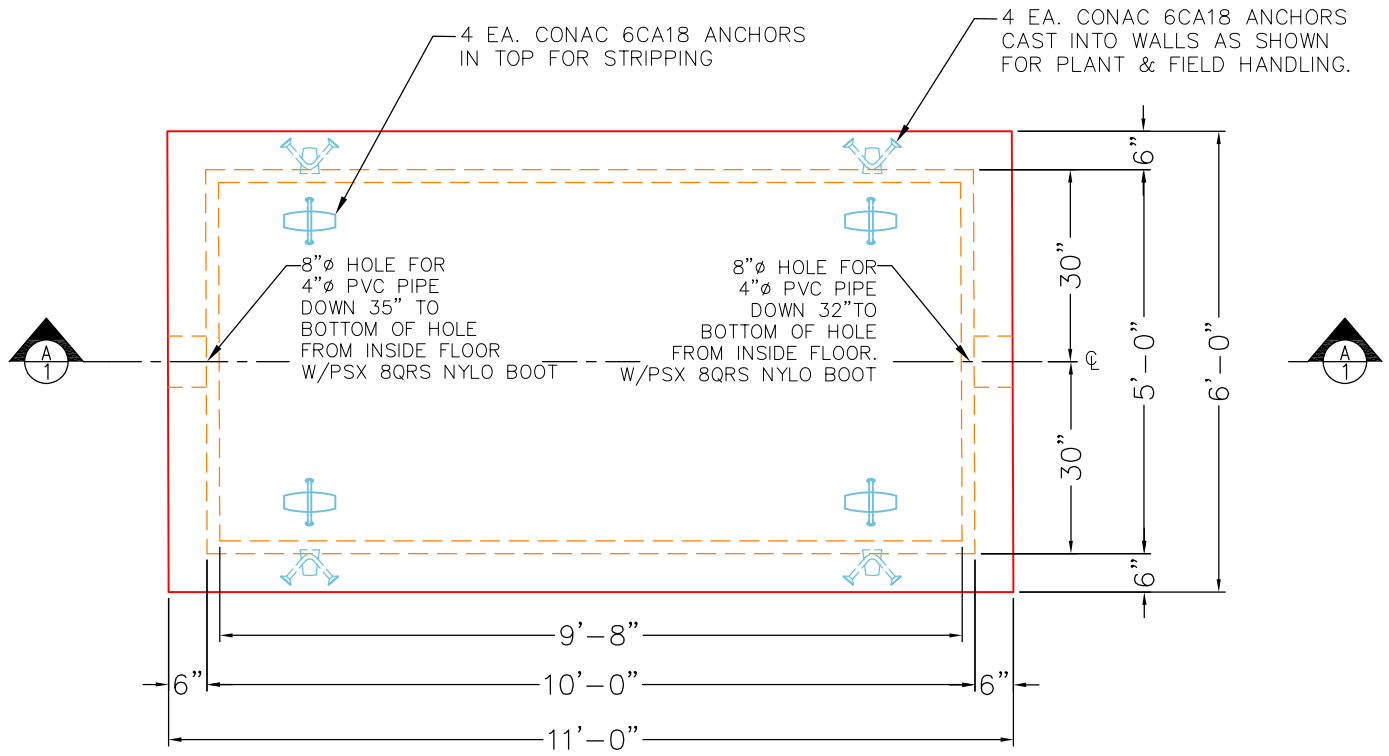


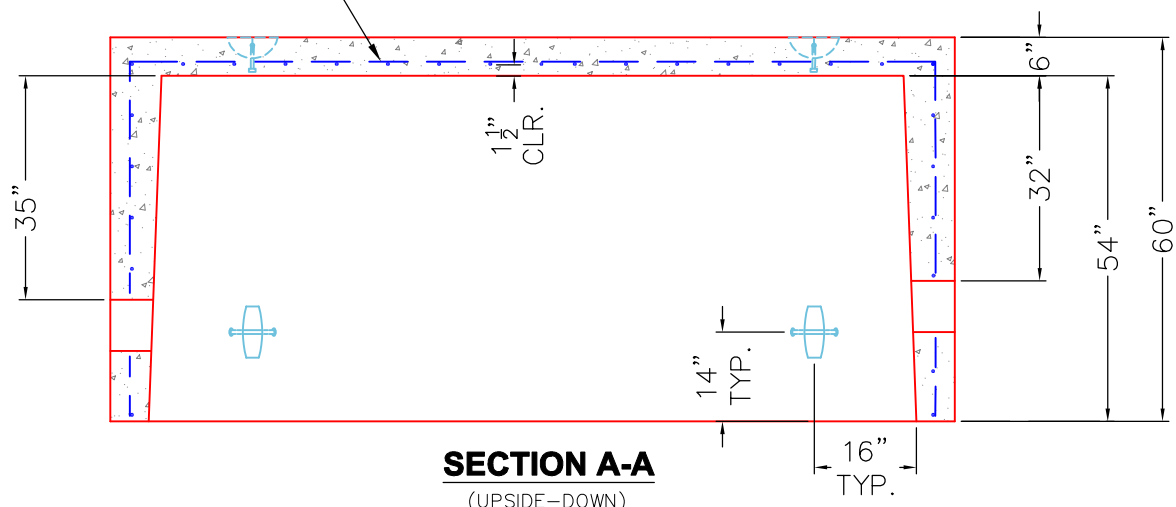
THIS DRAWING IS INTENDED TO BE PRINTED IN COLOR.



PLAN VIEW
(UPSIDE-DOWN)

SECONDARY POUR REQUIRED FOR BAFFLE WALL SEE SHEET (PC.1A)

#5 BAR @ 8" C/C E.W.
1 1/2" CONCRETE COVER MIN.
(WALLS, TOP & FLOOR TYP.)



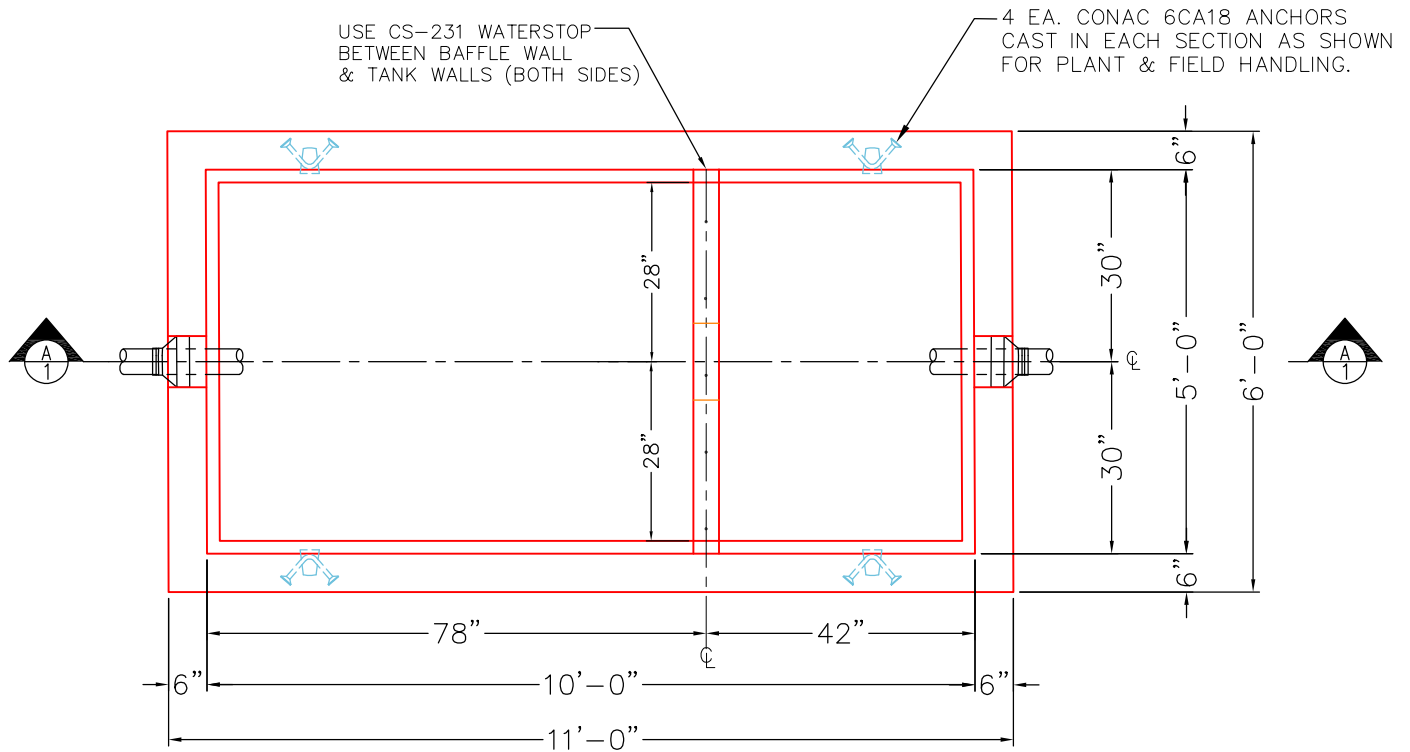
SECTION A-A
(UPSIDE-DOWN)

NOTES:

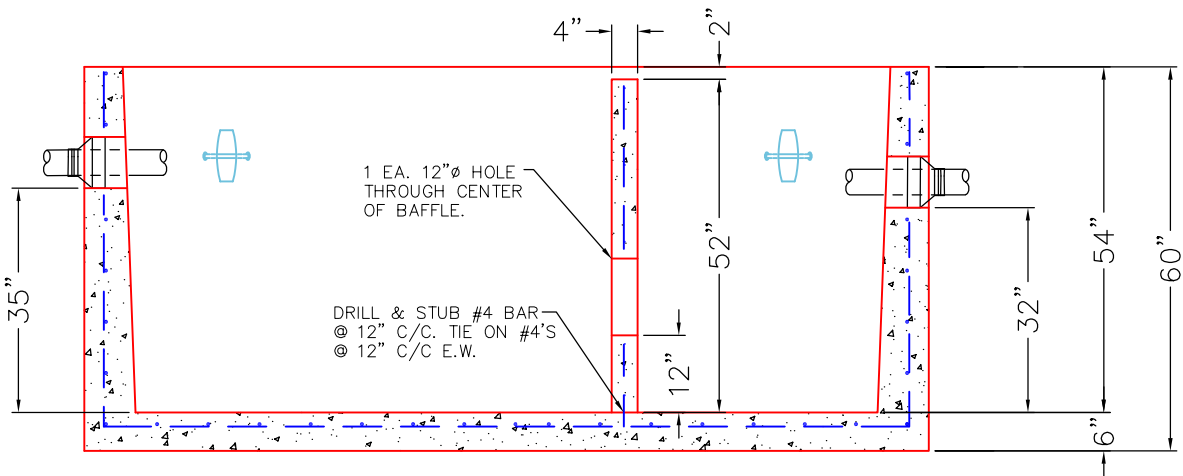
1. PER ASTM C-890-13 LATEST REVISION.
2. CONCRETE = 5,000 PSI AT 28 DAYS.
3. REINFORCING PER ASTM A615 (GRADE 60).
(H-20 TRAFFIC RATED DESIGN)
4. SEALED WITH 1" CS-102. (6 EA. 14.5' ROLLS REQ'D.)
5. POUR BASE, THEN POUR INTERIOR BAFFLE-SEE PAGE 2 OF 2.

PRODUCTION WORK ORDER		PRODUCT I.D.: BX60120-06W06F-FTVF	DESCRIPTION: Base 60in x120in x Var. Ht - 6W/6F Flat Top
	QUALITY CONTROL CHECKLIST	PRODUCT VIEW: UPSIDE-DOWN	CUSTOMER: RUSSELL'S EXCAVATING
	<input type="checkbox"/> ALL DIMENSIONS CORRECT.	PLANT: BEAVER DAM, KY.	PROJECT: POSEY CO. SOLAR FIELD
	<input type="checkbox"/> LIFTERS INSTALLED.	WEIGHT: 17,755 LBS.	STRUCTURE: GT 1000 GAL. (PC. 1)
	<input type="checkbox"/> HOLES LOCATION(S) CORRECT.	TOP SECTION JOINT: N/A	QUOTE/SALES ORDER NO: 25-3671
	<input type="checkbox"/> REINFORCING & SPACING CORRECT.	BASE SECTION JOINT: FLAT	CHECK: B. SMITH DRAWING: J. HORSLEY
<input type="checkbox"/> BAFFLE POURED CORRECTLY.	QC CHECK INITIALS:	DATE: 11/13/25	PAGE: 1 OF 2
<input type="checkbox"/> BOOTS & BANDS INSTALLED.			
<input type="checkbox"/> JOINT INSTALLED.			

THIS DRAWING IS INTENDED TO BE PRINTED IN COLOR.



PLAN VIEW
(RIGHT-SIDE UP)



SECTION A-A
(RIGHT-SIDE UP)

NOTES:

1. PER ASTM C-890-13 LATEST REVISION.
2. CONCRETE = 5,000 PSI AT 28 DAYS.
3. REINFORCING PER ASTM A615 (GRADE 60).
(H-20 TRAFFIC RATED DESIGN)
4. SEALED WITH 1" CS-102. (6 EA. 14.5' ROLLS REQ'D.)
5. THIS DRAWING USED FOR POURING BAFFLE & INSTALLING BOOTS.

PRODUCTION WORK ORDER		PRODUCT I.D.: BX60120-BAFF-4	DESCRIPTION: 5ft x 10ft Grease Trap Baffle Wall
	QUALITY CONTROL CHECKLIST		CUSTOMER: RUSSELL'S EXCAVATING
	<input type="checkbox"/> ALL DIMENSIONS CORRECT. <input type="checkbox"/> LIFTERS INSTALLED. <input type="checkbox"/> HOLES LOCATION(S) CORRECT. <input type="checkbox"/> REINFORCING & SPACING CORRECT. <input type="checkbox"/> BAFFLE POURED CORRECTLY. <input type="checkbox"/> HOLES INSTALLED IN BAFFLE. <input type="checkbox"/> BAFFLE SEALED TO WALLS CS-231.		PROJECT: POSEY CO. SOLAR FIELD
	PRODUCT VIEW: RIGHT-SIDE UP		STRUCTURE: GT 1000 GAL. (PC. 1A)
	PLANT: BEAVER DAM, KY.		QUOTE/SALES ORDER NO: 25-3671
	WEIGHT: 17,755 LBS.		CHECK: B. SMITH DRAWING: J. HORSLEY
TOP SECTION JOINT: N/A		DATE: 11/13/25	PAGE: 2 OF 2
BASE SECTION JOINT: FLAT			
QC CHECK INITIALS:			