

Job Name: 25-3671 - Posey Co Solar Field System
 Job Location: Mount Vernon, IN
 Contractor: Russell's Excavating

Plant: 100

Tech: J. Horsley - F

11/13/2025 3:36:10 PM

PC: A. Chambers

Structure ID: SSMH 1

P2 MH048LD06SPCDARED

MH FLAT TOP SPEC. HT. (6") w/24" ECC Hole w/ConBlockCDA Red

- P3) 24" - CASTING HEIGHT - 7"
- P2) 48" - MH FLAT TOP SPEC. HT. (6") w/24" ECC Hole w/ConBlockCDA Red F/F - 6"
- P1) 48" - MH BASE Custom Ht, w/ConBlock-CDA Red F/n - 34"
- 1) JOINT WRAP - 0.065"x6"x50' CONSEAL CS212
- 1) ADMIXTURE CONBLOCK CDA RED
- 1) JOINT WRAP PRIMER - CONSEAL CS-75 (1 gal.)
- 1) 48" - MH INVERT CHANNEL - FULL HEIGHT
- 1) 48" - Conseal CS-102 1.00" (Double)
- 3) PSX - 8QRS-S NYLO

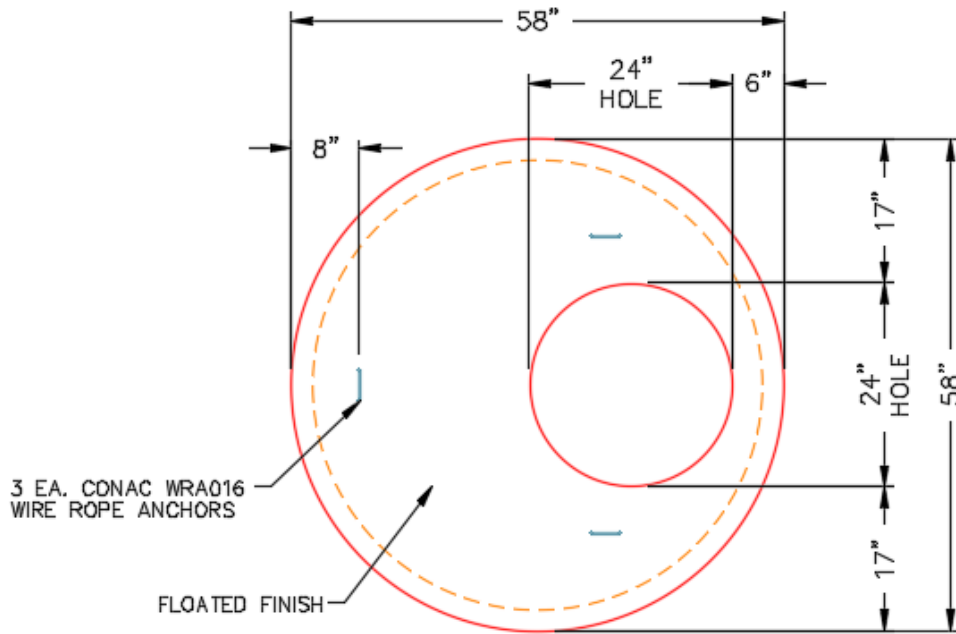
0 lb
 1102 lb
 3642 lb
 0 lb
 0 lb
 0 lb
 1440 lb
 0 lb
 20 lb

 Structure Total: 6204 lb

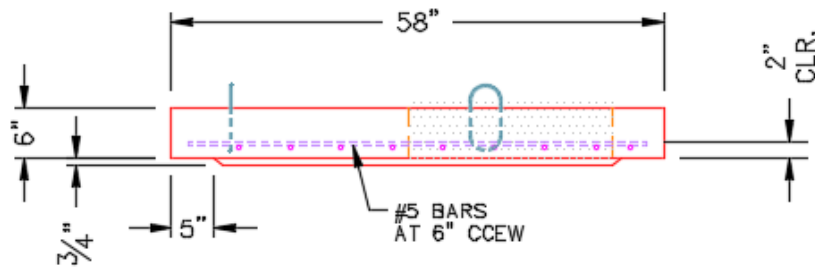
Structure Notes:

1. PER ASTM C478 SPECIFICATIONS.
2. CONCRETE = 4,000 PSI AT 28 DAYS.
3. ADMIXTURE = CONBLOCK CDA RED.
4. CASTING SUPPLIED BY OTHERS.
5. NO STEPS.
6. EXTERNAL CHIMNEY SEALS BY ICAST.
7. EXTERNAL DROP ASSEMBLY BY OTHERS.

REINFORCING PER ASTM A615 (GRADE 60).
 - CONE (As .12)
 - RISER/WALLS (As .12)
 - FLOOR (As .31) #5 BARS AT 12" C.C.E.W.



PLAN VIEW



SECTION AA

Coating (Int):
 Coating (Ext):

Seam Up: Flat
 Seam Dn: Flat

Wall Thickness: 5"

Height (Ext): 6"

Weight (Net): 1102 lb
 Volume (Net): 0.28cu.yd