

**Job Name: 25-3668 - 858577 Union Square**  
**Job Location: Union, KY**  
**Contractor: Contech Engineering Solutions**

PC: T. Sekula  
 TECH: J. Coppage  
 Plant: Beaver Dam



Structure ID: **20-CS-4**  
 Spec: Storm-Pipe Centered  
 Type: STM.MH  
 Size: 48"

Rim: 820.9'  
 Invert: 818.2'  
 Rim to Invert: 2.7'

Sump: 51"  
 Floor (Top): 813.95'  
 Floor Height: 6"

Floor (Bot): 813.45'  
 Overall Height: 7.5'  
 Slack: -0.6"

Structure Notes:  
 (4" TALL CASTING PROVIDED BY OTHERS)  
 CASTING TO BE CAST INTO THE TOP SLAB.

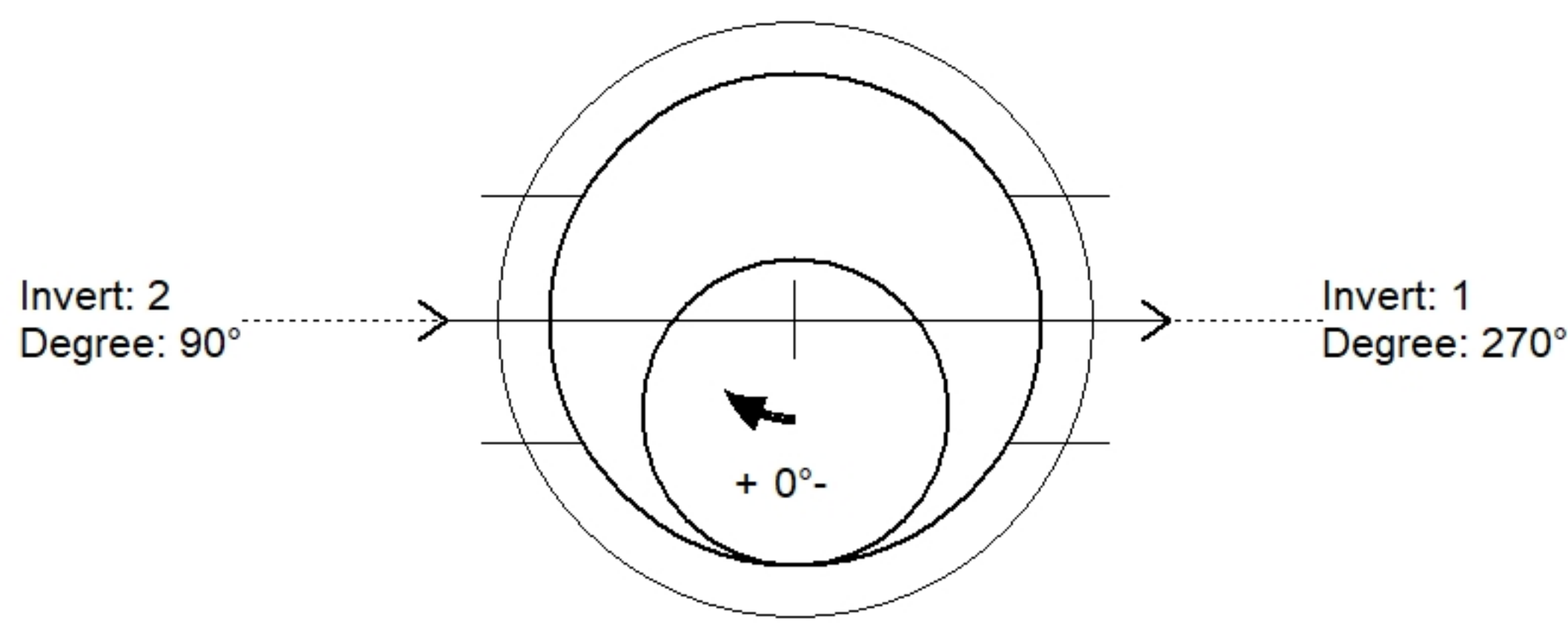
LIFTING ANCHORS TO BE INSTALLED  
 ON THE OUTSIDE OF THE STRUCTURE

ICAST TO INSTALL THE INTERNALS

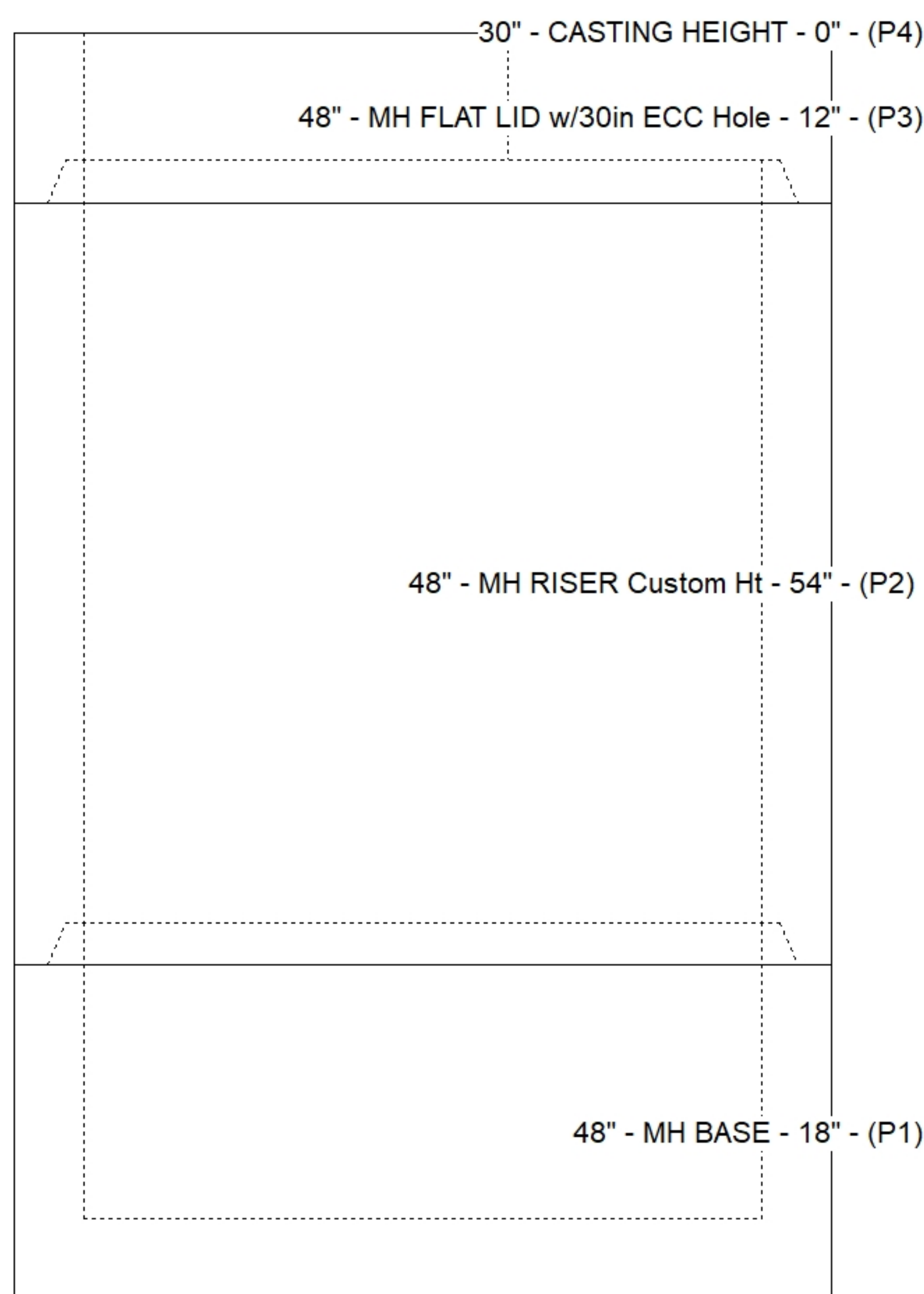
CONTECH'S LOGO AS WELL AS THE  
 INLETS AND THE OUTLET MUST BE  
 STENCILED ONTO THE STRUCTURE

STRUCTURE SUMMARY:

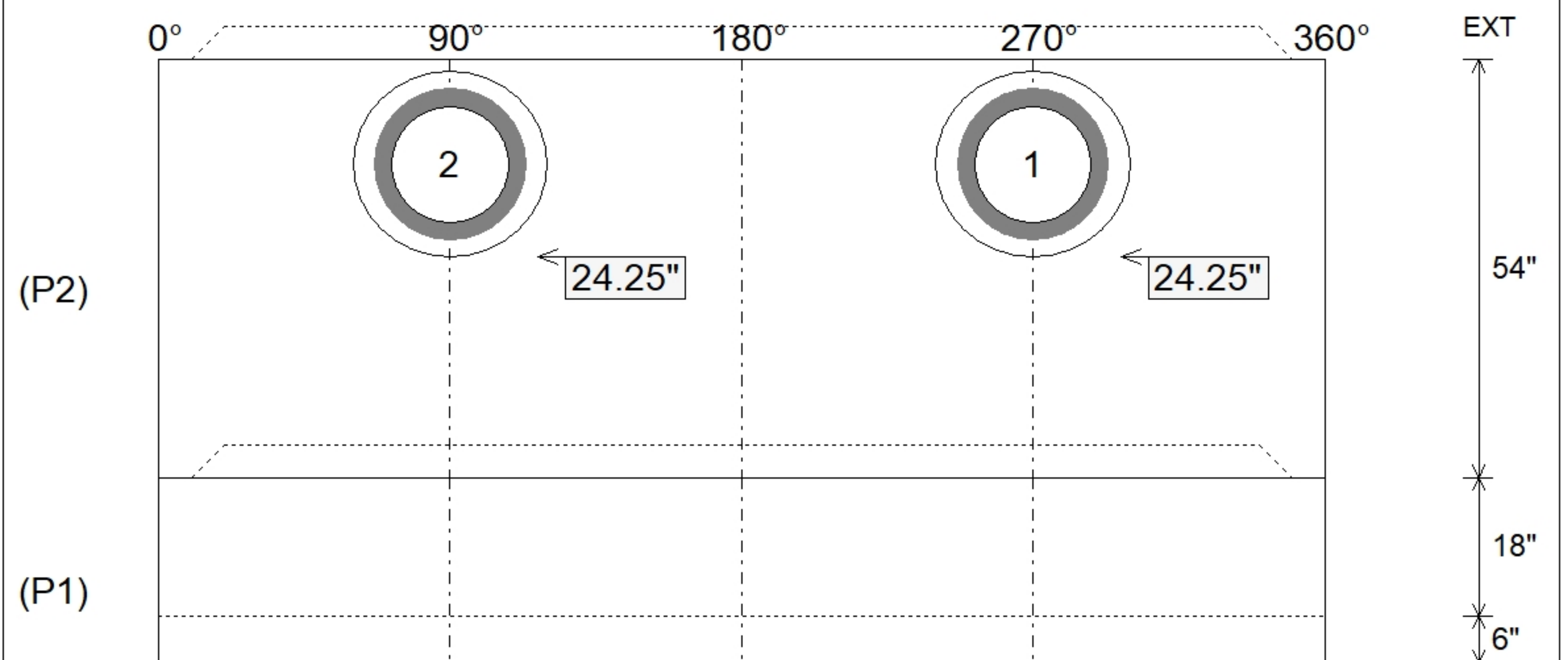
P4) 30" - CASTING HEIGHT - 0"	0 lb
P3) 48" - MH FLAT LID w/30in ECC Hole - 12"	1413 lb
P2) 48" - MH RISER Custom Ht - 54"	3378 lb
P1) 48" - MH BASE - 18"	2588 lb
1) PSASSEMBLY	0 lb
1) CVSTENCILING	0 lb
2) 48" - Conseal CS-102 1.00"	0 lb
2) Hole - 24	0 lb
<b>Structure Total:</b>	<b>7379 lb</b>



Position	Elev	Angle	Pipe	Pipe OD	Hole	Connector	Up (")	Ref
Rim	820.9'							
Reducer								
Invert 1	818.2'	270°	15" RCP B WALL	19.5"	24"	Hole 24	24.25"	P2
Invert 2	818.2'	90°	15" RCP B WALL	19.5"	24"	Hole 24	24.25"	P2
Invert 3								
Invert 4								
Invert 5								
Invert 6								
Invert 7								
Invert 8								



Default - Interior Dimensions



Submittal Drawing  
 10/17/2025 9:54:48 AM

SUBMITTAL  
 APPROVED BY: