

**Job Name: 25-3668 - 858577 Union Square**  
**Job Location: Union, KY**  
**Contractor: Contech Engineering Solutions**

PC: T. Sekula  
 TECH: J. Coppage  
 Plant: Beaver Dam



Structure ID: **15-CS-5**  
 Spec: Storm-Pipe Centered  
 Type: STM.MH  
 Size: 60"

Rim: 866.9'  
 Invert: 859.17'  
 Rim to Invert: 7.73'

Sump: 58"  
 Floor (Top): 854.337'  
 Floor Height: 8"

Floor (Bot): 853.67'  
 Overall Height: 12.583'  
 Slack: 7.76"

Structure Notes:  
 (4" TALL CASTING PROVIDED BY OTHERS)

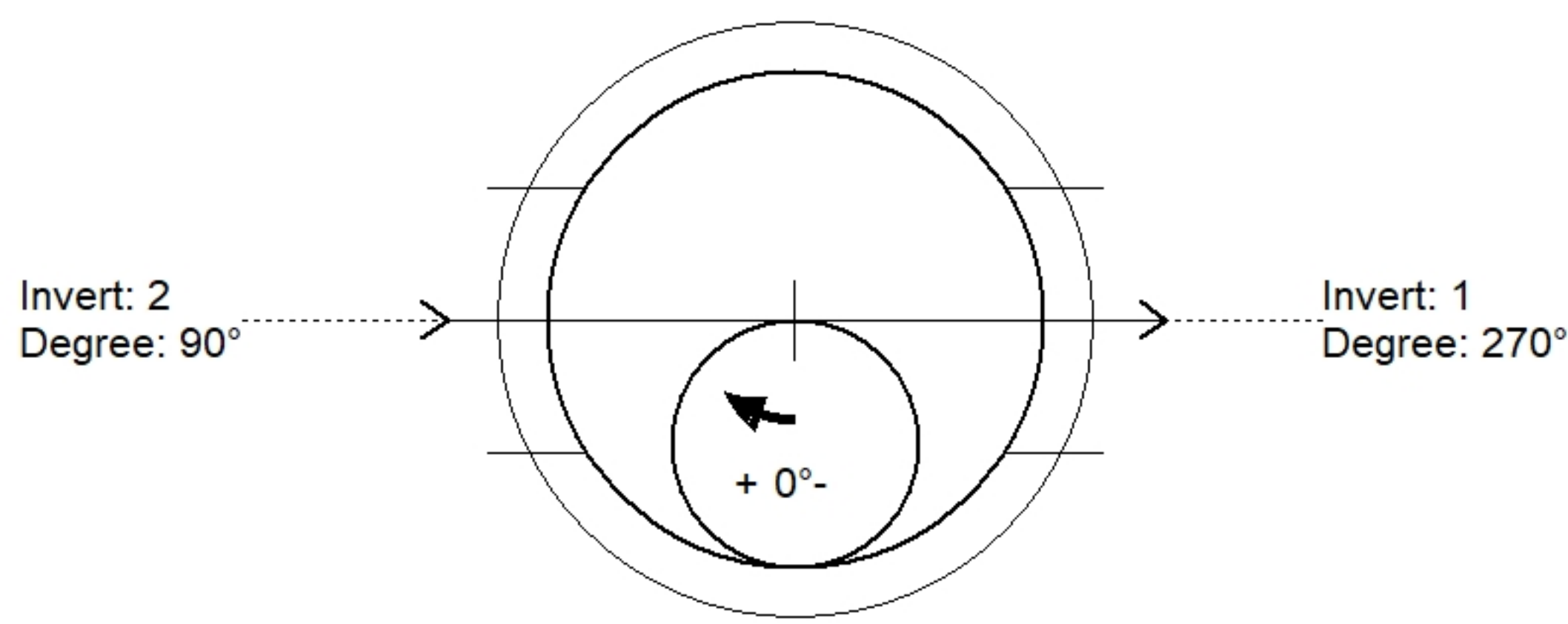
LIFTING ANCHORS TO BE INSTALLED ON THE OUTSIDE OF THE STRUCTURE

ICAST TO INSTALL THE INTERNALS

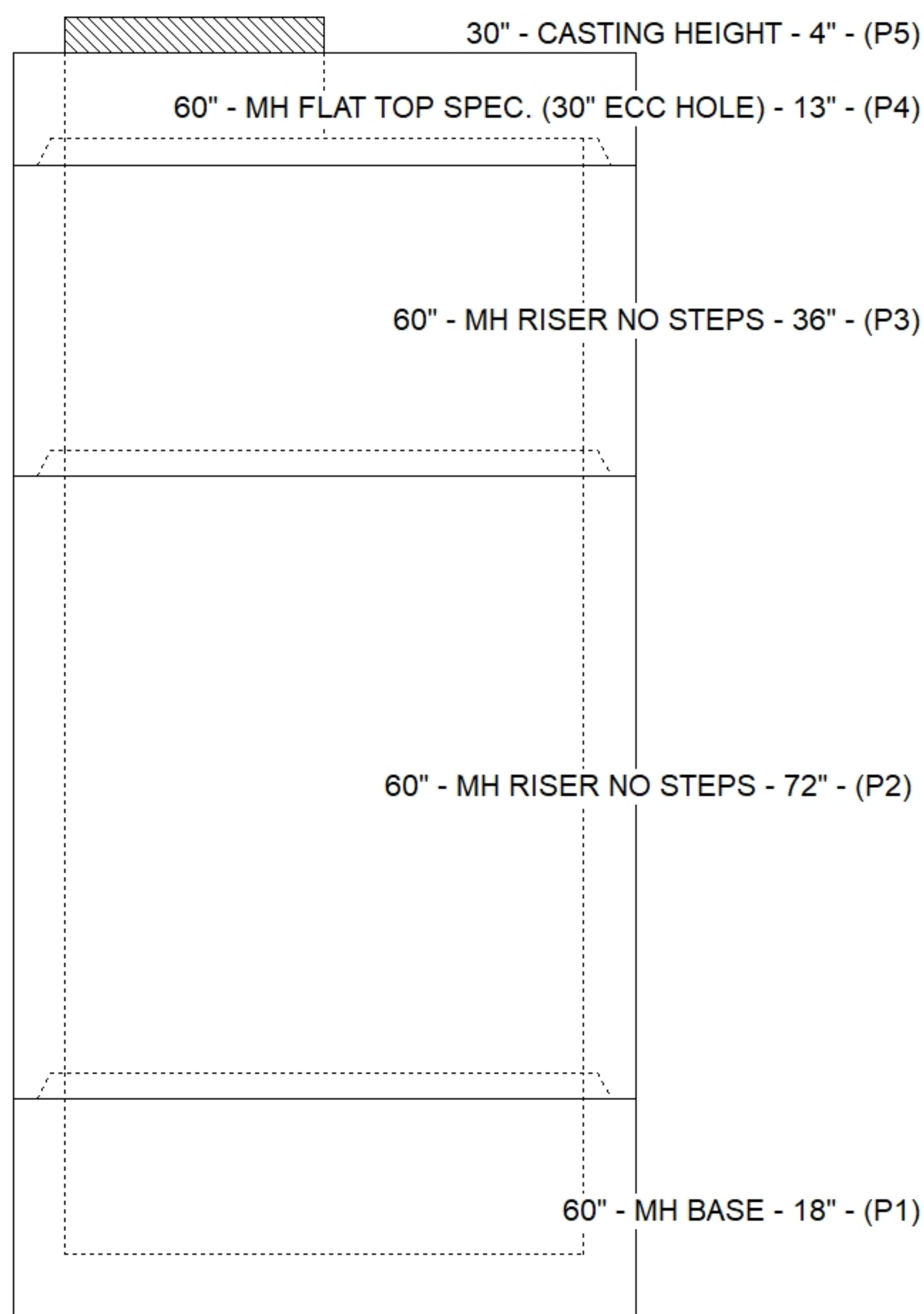
CONTECH'S LOGO AS WELL AS THE INLETS AND THE OUTLET MUST BE STENCILED ONTO THE STRUCTURE

STRUCTURE SUMMARY:

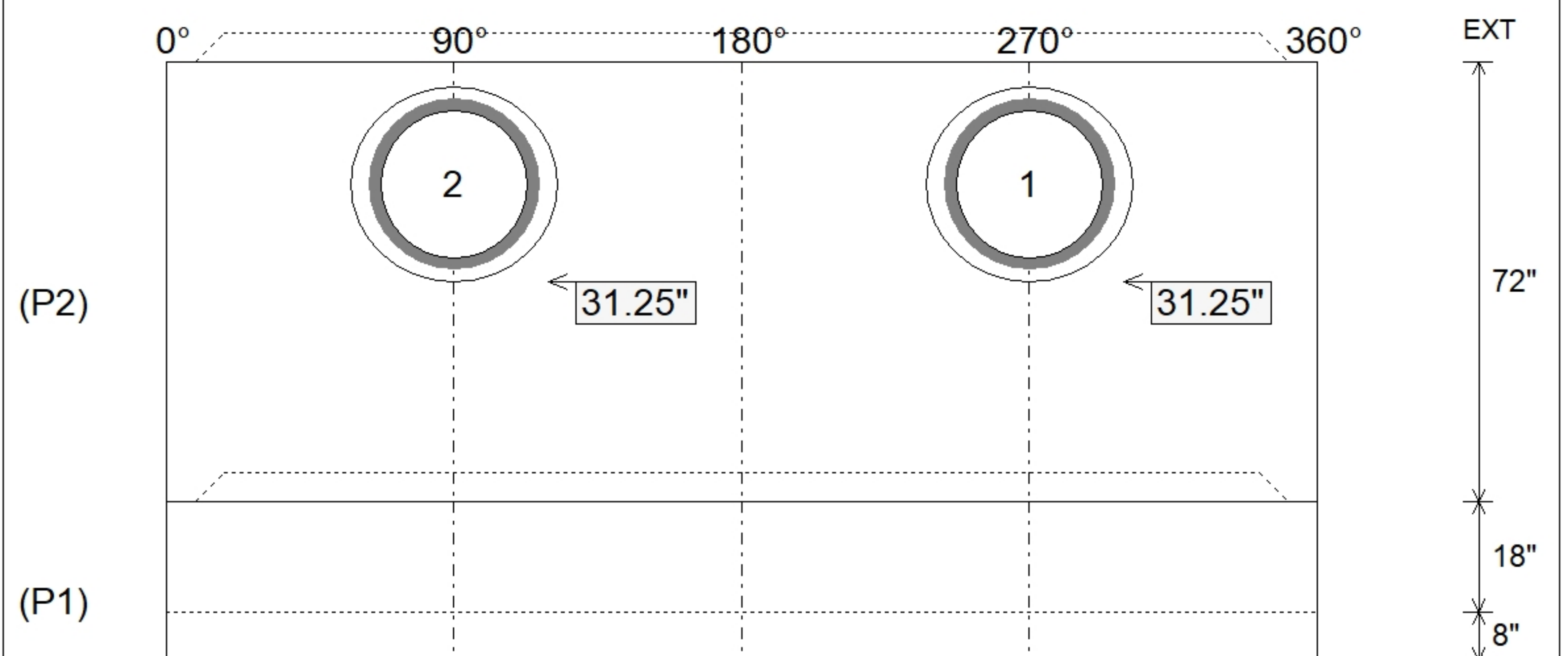
P5) 30" - CASTING HEIGHT - 4"	0 lb
P4) 60" - MH FLAT TOP SPEC. (30" ECC HOLE) - 13"	2589 lb
P3) 60" - MH RISER NO STEPS - 36"	3758 lb
P2) 60" - MH RISER NO STEPS - 72"	6670 lb
P1) 60" - MH BASE - 18"	4612 lb
1) PSASSEMBLY	0 lb
1) CVSTENCILING	0 lb
3) 60" - Conseal CS-102 1.00"	0 lb
2) Hole - 32	0 lb
<b>Structure Total:</b>	<b>17629 lb</b>



Position	Elev	Angle	Pipe	Pipe OD	Hole	Connector	Up ( )	Ref
Rim	866.9'							
Reducer								
Invert 1	859.17'	270°	24" HDPE	27.8"	32"	Hole 32	31.25"	P2
Invert 2	859.17'	90°	24" HDPE	27.8"	32"	Hole 32	31.25"	P2
Invert 3								
Invert 4								
Invert 5								
Invert 6								
Invert 7								
Invert 8								



**Default - Interior Dimensions**



Submittal Drawing  
 10/17/2025 9:54:49 AM

SUBMITTAL  
 APPROVED BY: