

**Job Name: 25-3668 - 858577 Union Square**  
**Job Location: Union, KY**  
**Contractor: Contech Engineering Solutions**

PC: T. Sekula  
 TECH: J. Coppage  
 Plant: Beaver Dam



Structure ID: **10-CS-4**  
 Spec: Storm-Pipe Centered  
 Type: STM.MH  
 Size: 48"

Rim: 873.5'  
 Invert: 861.81'  
 Rim to Invert: 11.69'

Sump: 51"  
 Floor (Top): 857.56'  
 Floor Height: 6"

Floor (Bot): 857.06'  
 Overall Height: 15.333'  
 Slack: 13.28"

Structure Notes:  
 (4" TALL CASTING PROVIDED BY OTHERS)

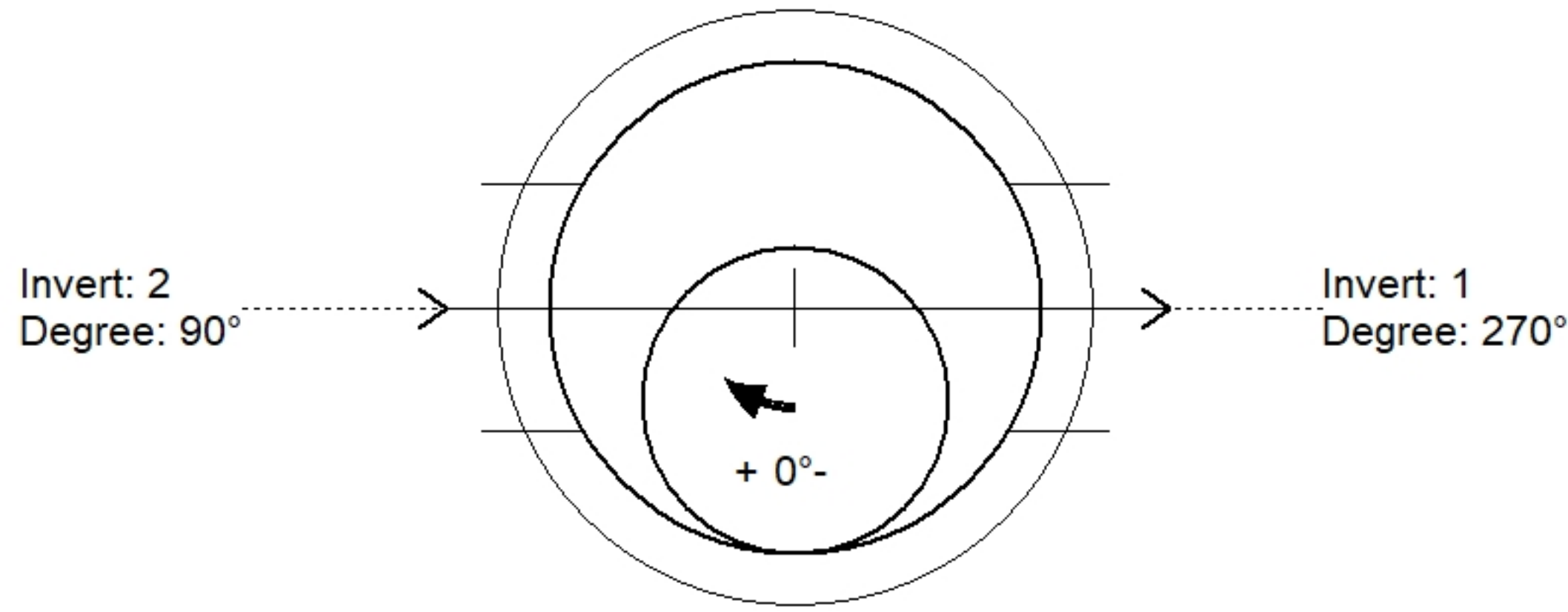
LIFTING ANCHORS TO BE INSTALLED ON THE OUTSIDE OF THE STRUCTURE

ICAST TO INSTALL THE INTERNALS

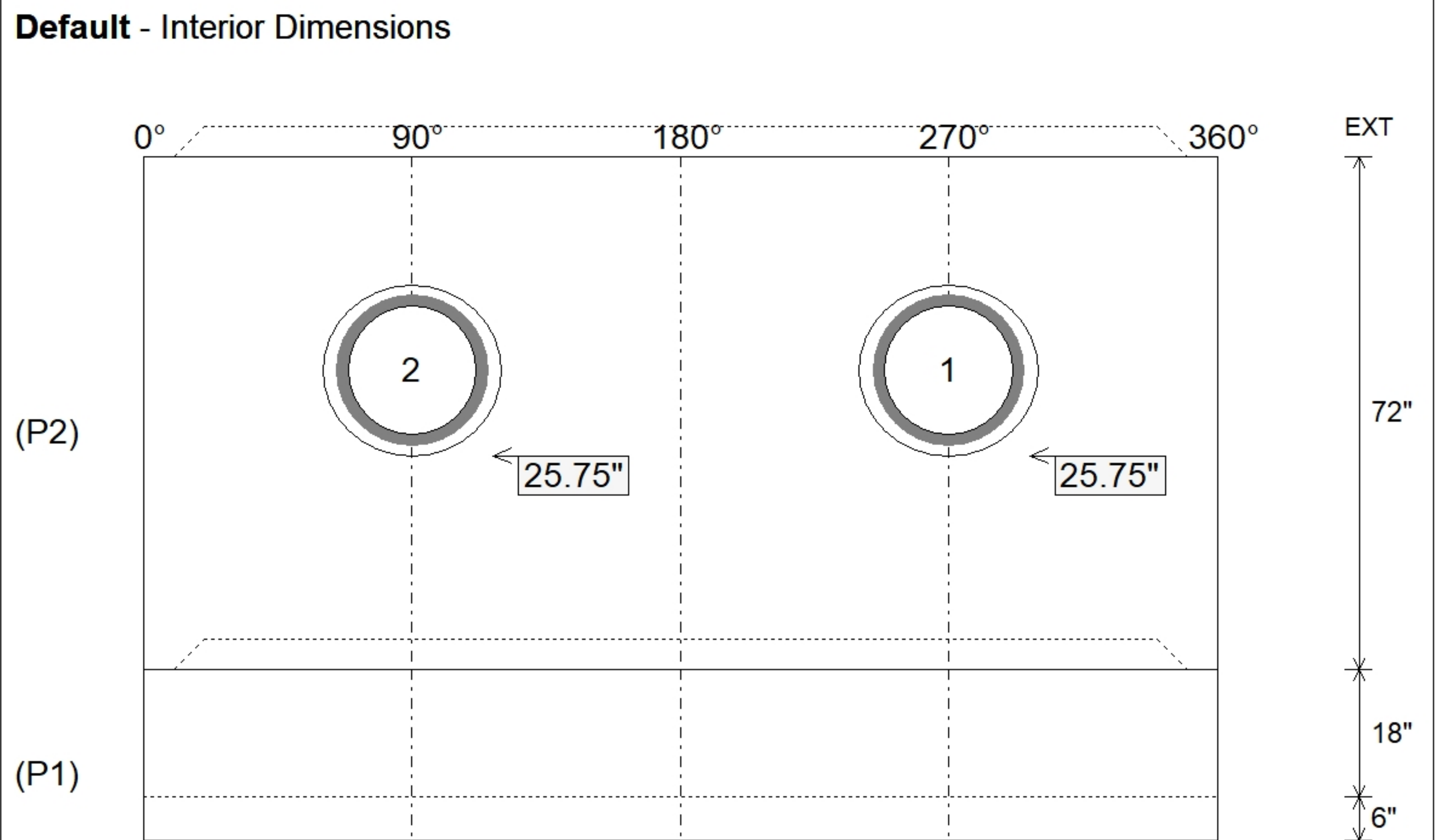
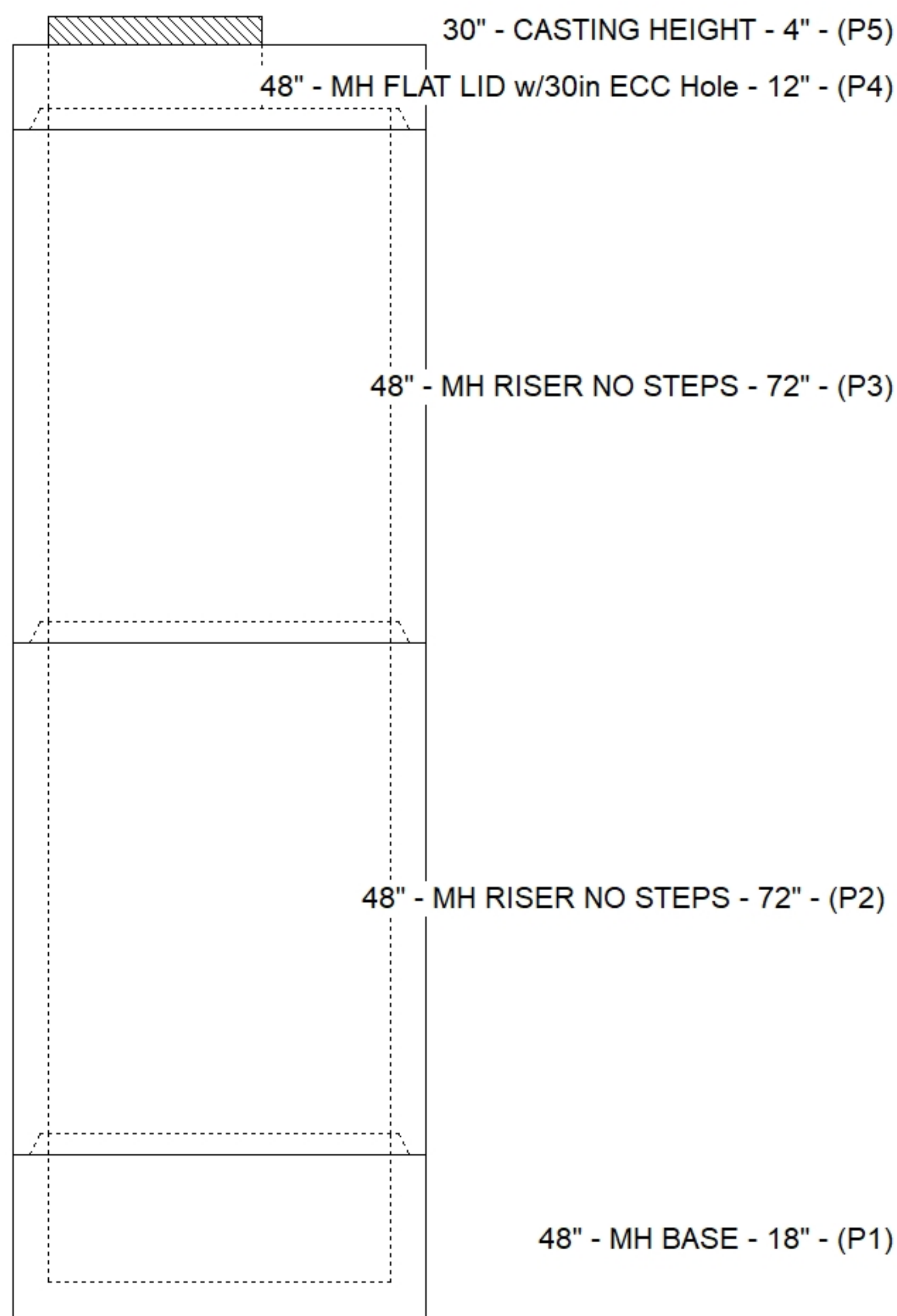
CONTECH'S LOGO AS WELL AS THE INLETS AND THE OUTLET MUST BE STENCILED ONTO THE STRUCTURE

STRUCTURE SUMMARY:

P5) 30" - CASTING HEIGHT - 4"	0 lb
P4) 48" - MH FLAT LID w/30in ECC Hole - 12"	1413 lb
P3) 48" - MH RISER NO STEPS - 72"	5030 lb
P2) 48" - MH RISER NO STEPS - 72"	4635 lb
P1) 48" - MH BASE - 18"	2588 lb
1) PSASSEMBLY	0 lb
1) CVSTENCILING	0 lb
3) 48" - Conseal CS-102 1.00"	0 lb
2) Hole - 24	0 lb
<b>Structure Total:</b>	<b>13666 lb</b>



Position	Elev	Angle	Pipe	Pipe OD	Hole	Connector	Up ( )	Ref
Rim	873.5'							
Reducer								
Invert 1	861.81'	270°	18" HDPE	21.2"	24"	Hole 24	25.75"	P2
Invert 2	861.81'	90°	18" HDPE	21.2"	24"	Hole 24	25.75"	P2
Invert 3								
Invert 4								
Invert 5								
Invert 6								
Invert 7								
Invert 8								



Submittal Drawing  
 10/17/2025 9:54:47 AM

SUBMITTAL  
 APPROVED BY: