

Job Name: 25-3668 - 858577 Union Square
 Job Location: Union, KY
 Contractor: Contech Engineering Solutions

Plant: Beaver Dam

10/10/2025 2:30:15 PM

Tech: J. Coppage

PC: T. Sekula



Structure ID: 10-CS-4

P2 MH048RS72S

MH RISER NO STEPS

- P5) 30" - CASTING HEIGHT - 4"
- P4) 48" - MH FLAT LID w/30in ECC Hole - 12"
- P3) 48" - MH RISER NO STEPS - 72"
- P2) 48" - MH RISER NO STEPS - 72"
- P1) 48" - MH BASE - 18"
- 1) PSASSEMBLY
- 1) CVSTENCILING
- 3) 48" - Conseal CS-102 1.00"
- 2) Hole - 24

Structure Notes:
 (4" TALL CASTING PROVIDED BY OTHERS)

 LIFTING ANCHORS TO BE INSTALLED
 ON THE OUTSIDE OF THE STRUCTURE

 ICAST TO INSTALL THE INTERNALS

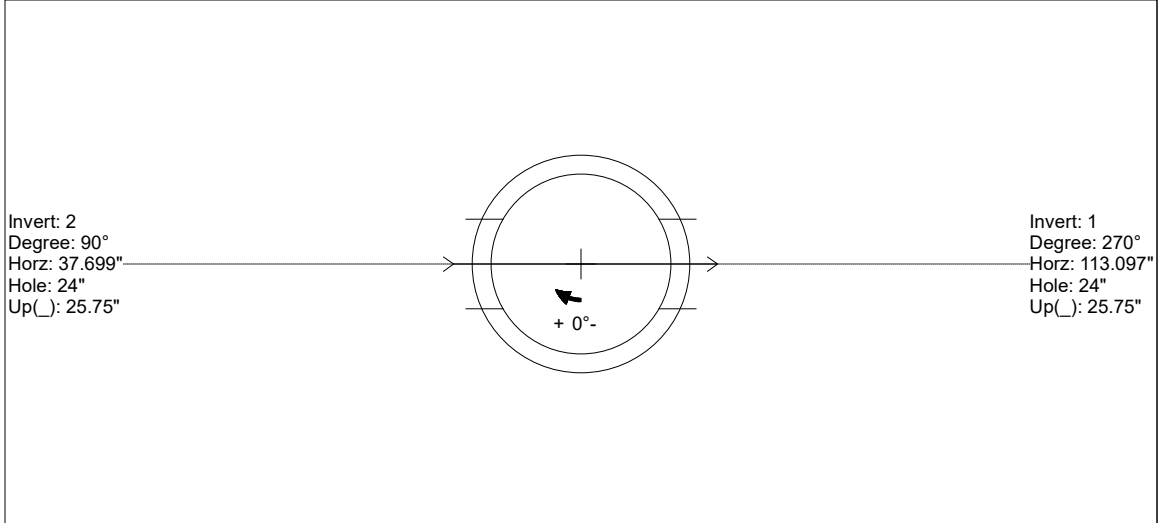
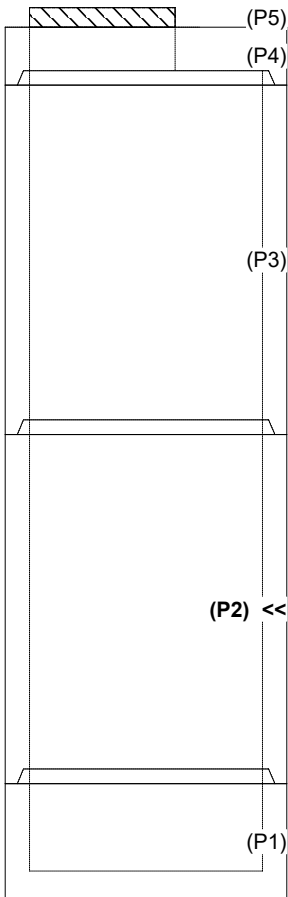
 CONTECH'S LOGO AS WELL AS THE
 INLETS AND THE OUTLET MUST BE
 STENCILED ONTO THE STRUCTURE

Structure Total: 13666 lb

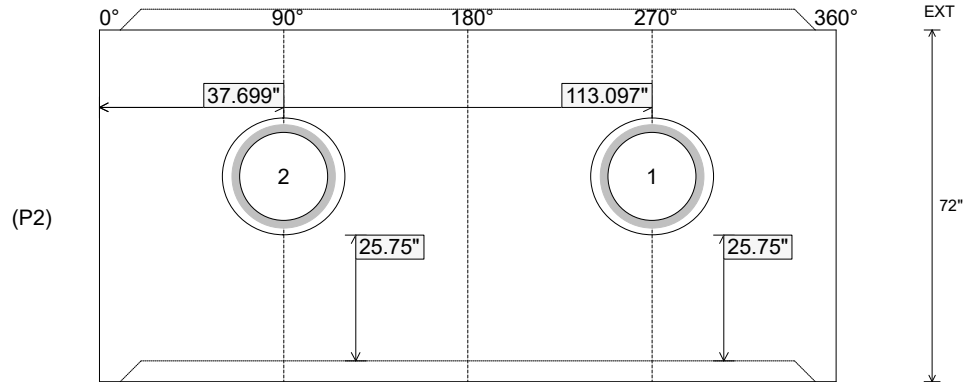
Rim: 873.5' Rim to Invert: 11.69' Slack: 13.28" Sump: 51" Step Position:

Position	Elev	Angle	Ext. (cw)	Pipe	Pipe OD	Connector	Hole	Horz Size	Up ()	Offset
Invert 1	861.81'	270°	136.659"	18" HDPE	21.2"	Hole 24	24"	25.133"	25.75"	0"
Invert 2	861.81'	90°	45.553"	18" HDPE	21.2"	Hole 24	24"	25.133"	25.75"	0"
Invert 3										
Invert 4										
Invert 5										
Invert 6										
Invert 7										
Invert 8										

RIGHT-SIDE UP VIEW (int. dimensions)



INSIDE WALL DIMENSIONS



Coating (Int): Coating (Ext):	Seam Up: Tongue Seam Dn: Groove	Wall Thickness: 5" Floor Height: 0"	Height (Int): 72" Height (Ext): 72"	Weight (Net): 4635 lb Volume (Net): 1.18cu.yd
----------------------------------	------------------------------------	--	--	--