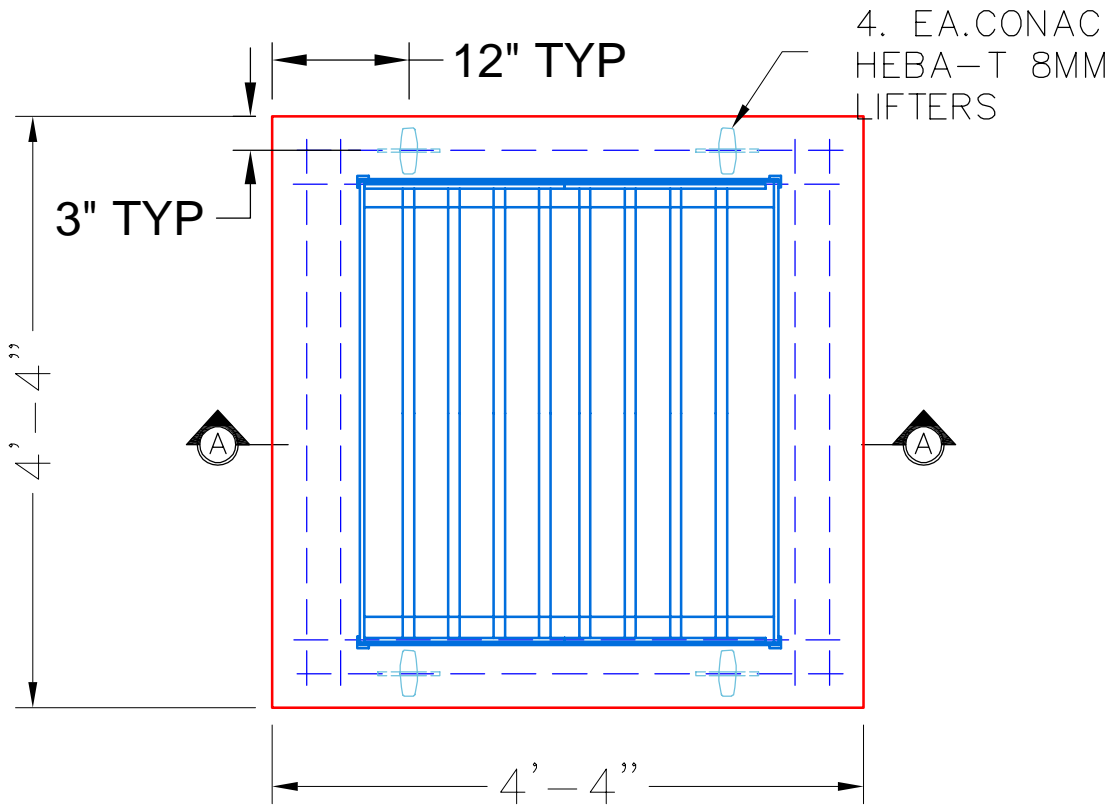


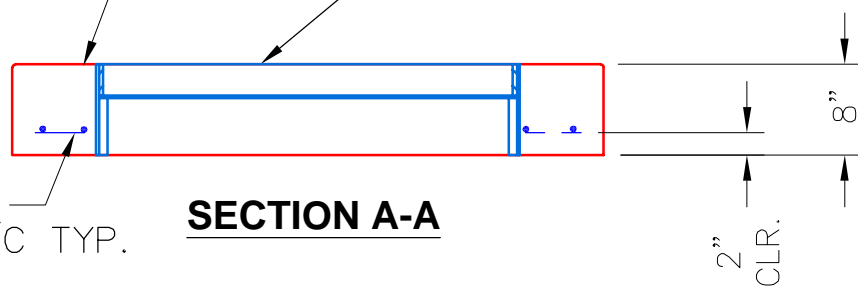
PRINT IN COLOR FOR ADDITIONAL CLARITY



PLAN VIEW

LIGHT BROOM FINISH

KY-316 HOE DBI TY. 1
FRAME & GRATES
CAST-IN TOP SLAB
CENTER OF TOP SLAB




#5 BAR @ 3" C/C TYP.

SECTION A-A

NOTES:

- CONCRETE: 4500 PSI @ 28 DAYS.
- MANUFACTURED TO ASTM C-913 SPECIFICATIONS.
- REINFORCING: #5 BAR @ 3" C/C AS SHOWN-GRADE 60.
- 3 EA. CONAC WIRE LOOP LIFTS REQUIRED (MIN.)

<p>PRODUCTION WORK ORDER</p>		<p>PRODUCT I.D.: BX3636_08LD08</p>	<p>DESCRIPTION: 36"X36" TOP SLAB W/ FRAME & CASTING</p>
	<p>QUALITY CONTROL CHECKLIST</p>		<p>CUSTOMER: SCOTTY'S CONTRACTING</p>
	<p><input type="checkbox"/> ALL DIMENSIONS CORRECT.</p>		<p>PROJECT: WELDON LOOP</p>
	<p><input type="checkbox"/> LIFTERS INSTALLED.</p>		<p>STRUCTURE: 1</p>
	<p><input type="checkbox"/> OPENING CENTERED.</p>		<p>JOB NUMBER: 25-3662</p>
	<p><input type="checkbox"/> REINFORCING CORRECT.</p>		<p>PC: J.H. ROSS, PE</p>
	<p><input type="checkbox"/> SURFACE QUALITY ACCEPTABLE.</p>		<p>DRAWING: C. RUSS</p>
<p><input type="checkbox"/> TOP EDGE ROUNDED.</p>		<p>DATE: 10/17/25</p>	<p>SCALE: NTS</p>
<p><input type="checkbox"/> ALL PATCHWORK ACCEPTABLE.</p>		<p>QC CHECK INITIALS:</p>	<p>PG. 1 of 1</p>