

**Structure ID: 1**

**P1 BX3636-08BA24**

**BOX BASE 8inW, 8inF F/n**

P3) 36" x 36" - CASTING HEIGHT - 0" P2) 36" x 36" - CB FLAT TOP 8"W SPECIAL F/F - 8" P1) 36" x 36" - BOX BASE 8inW, 8inF F/n - 24" 1) CASTING - HOE KY-316 SET (DBI 1) 2) 36" x 36" - SGL 1"x14.5' Butyl (2x) 2) Hole - 18 1) DOGHOUSE INVRTD - 18"x18"	0 lb 945 lb 4109 lb 317 lb 0 lb 0 lb 0 lb ----- Structure Total: 5371 lb
---	--

Structure Notes:

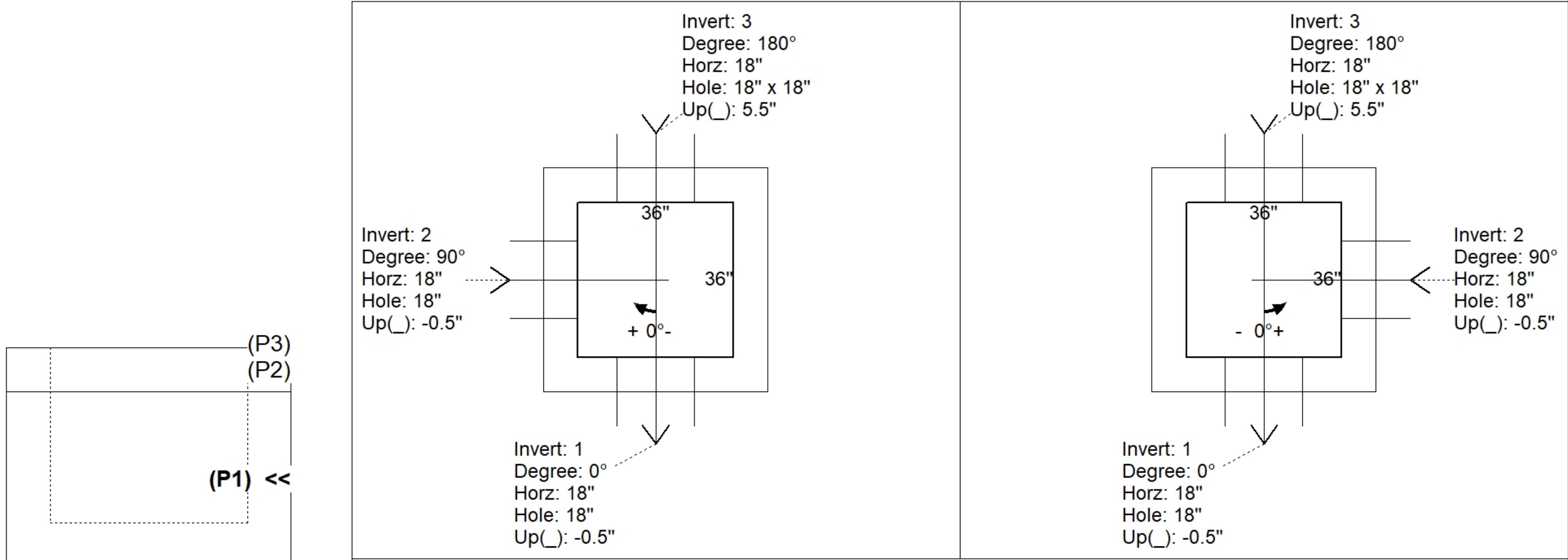
1. PER ASTM C913 SPECIFICATIONS.
2. CONCRETE = 4,000 PSI AT 28 DAYS.
3. NO INVERT CHANNEL.
4. HOE KY-316 DBI TY. 1 F/G BY ICAST
5. REINFORCING PER ASTM A615 (GRADE 60).  
 - TOP SLAB (As .62) #5 BARS AT 6" C.C.E.W.  
 - WALLS (As .12) #5 BARS AT 12" C.C.E.W.  
 - FLOOR (As .12) #5 BARS AT 12" C.C.E.W.

Rim: 3'      Rim to Invert: 3'      Slack: 3.998"      Sump: 0"      Step Position:

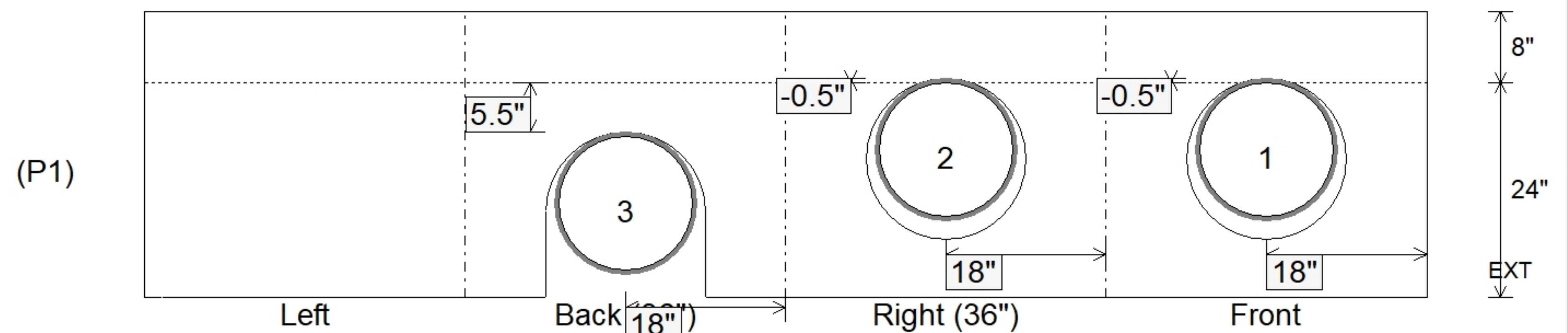
Position	Elev	Angle	Ext. (cw)	Pipe	Pipe OD	Connector	Hole	Horz Size	Up ( )	Offset
Invert 1	0'	0°	26"	15" CMP	16"	Hole 18	18"	18"	-0.5"	0"
Invert 2	0'	90°	26"	15" CMP	16"	Hole 18	18"	18"	-0.5"	0"
Invert 3	0.5'	180°	26"	15" CMP	16"	DOGHOUSE INVRTD 18"x18"	18" x 18"	18"	5.5"	0"
Invert 4										
Invert 5										
Invert 6										
Invert 7										
Invert 8										

RIGHT-SIDE UP VIEW (int. dimensions)

UPSIDE-DOWN VIEW (int. dimensions)



INSIDE WALL DIMENSIONS



Coating (Int):	Seam Up: Flat	Wall Thickness: 8"	Height (Int): 24"
Coating (Ext):	Seam Dn: n/a	Floor Height: 8"	Height (Ext): 32"
		Weight (Net): 4109 lb	
		Volume (Net): 1.05cu.yd	