

Job Name: 25-3657 Yorktown Subdivision	Plant: 100	Tech: J.Horsley - A	
Job Location: Madisonville, KY Contractor: Gaston Engineering	11/18/2025 3:15:19 PM	PC: Erica Bradley	

Structure ID: 9

P1 BX2424-08BAVF

BOX BASE 8inW, 8inF, Variable Ht F/n

P2) 24" x 24" - CASTING HEIGHT - 5"	0 lb
P1) 24" x 24" - BOX BASE 8inW, 8inF, Variable Ht F/n - 29"	3355 lb
1) CASTING - HOE KY-465 SET (CBI TY F)	465 lb
1) 24" x 24" - Conseal CS-102 1.00"	0 lb
1) Hole - 20	0 lb
Structure Total:	3820 lb

Structure Notes:
****KYTC STATE PROJECT****
 1. CASTING: HOE KY-465 PROVIDED BY ICAST
 2. KYTC CBI TYPE F / ASTM C913 SPECIFICATIONS.
 3. CONCRETE = 4,000 PSI AT 28 DAYS.
 4. NO INVERT CHANNEL.
 5. NO STEPS.

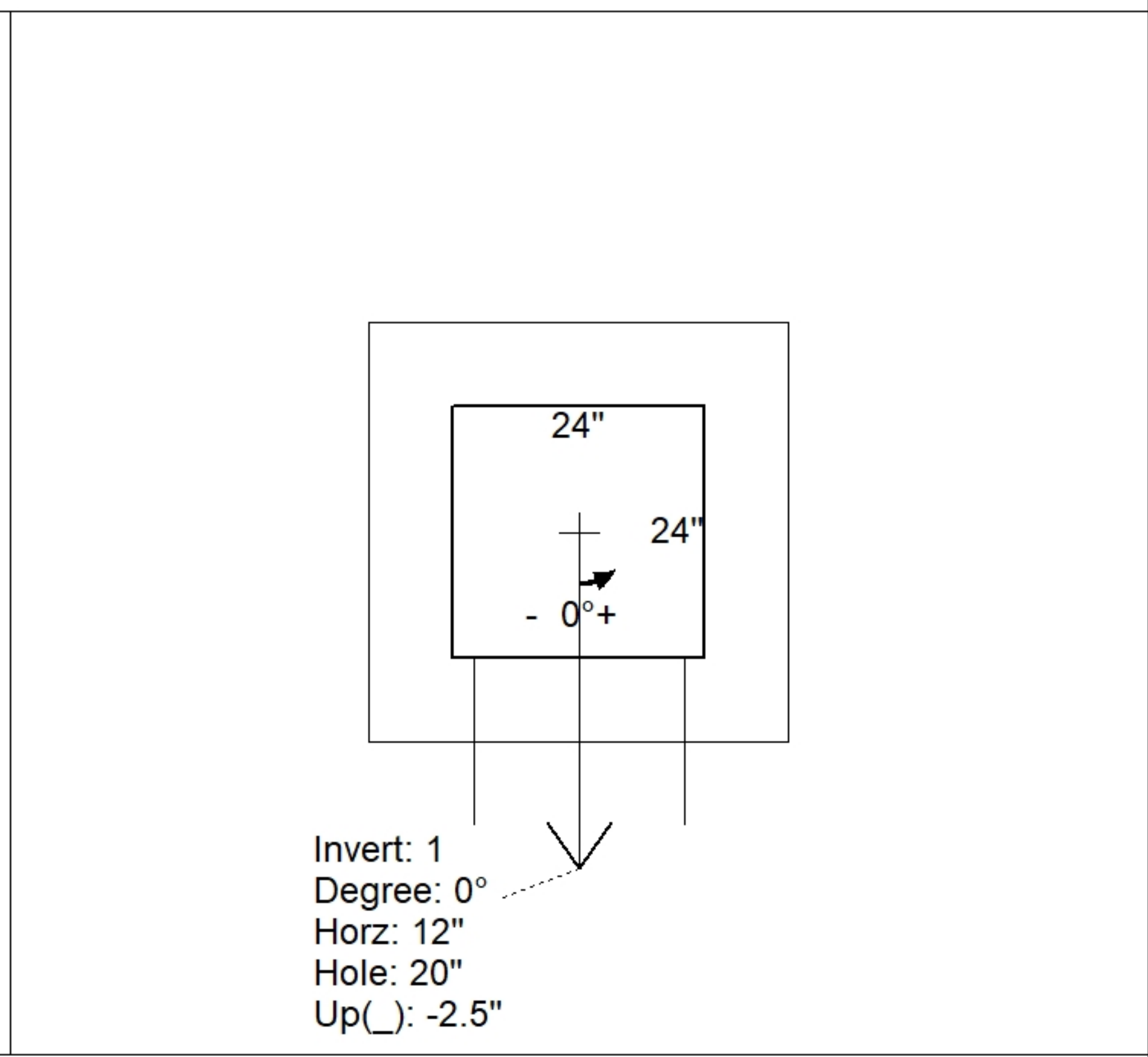
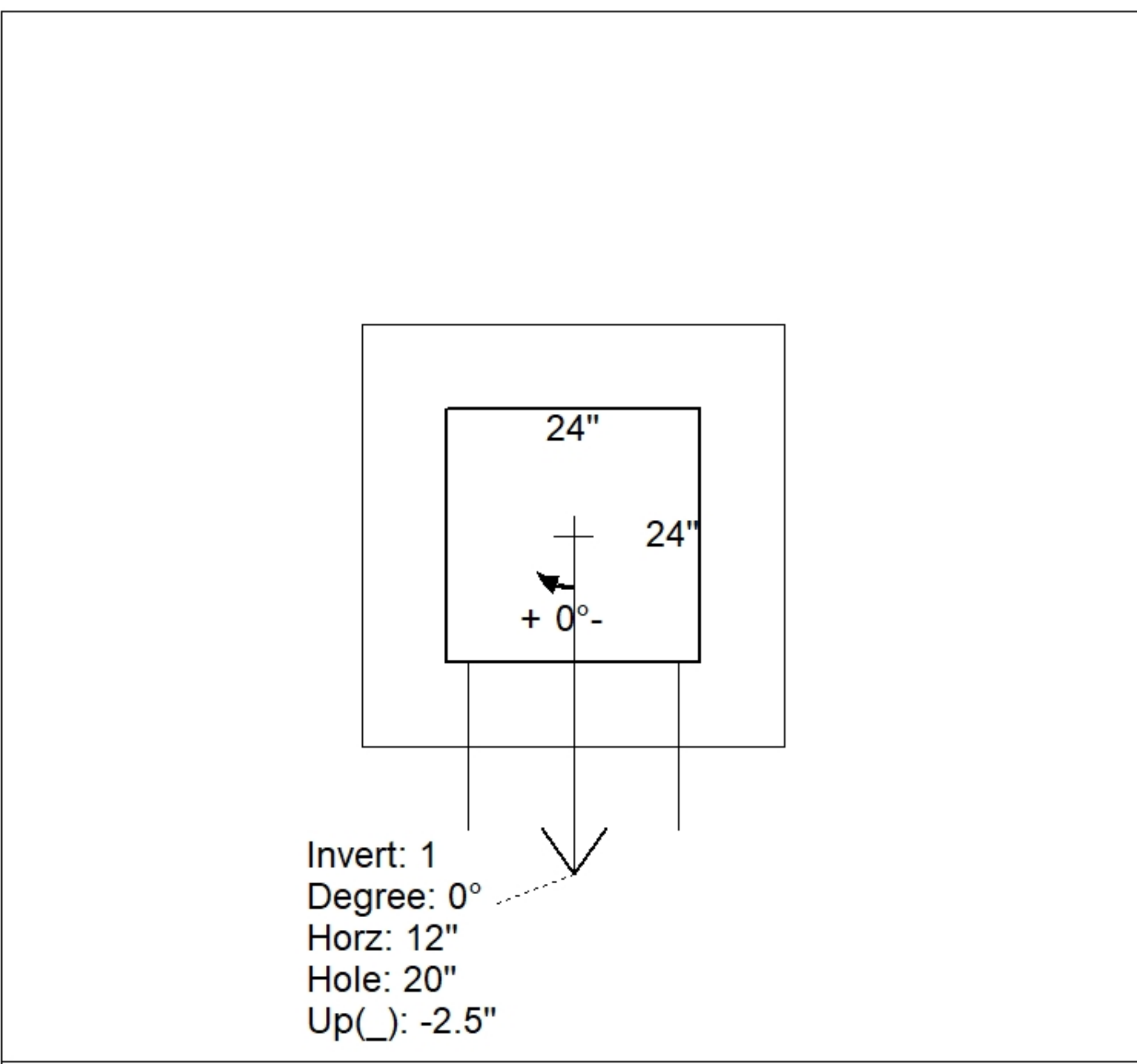
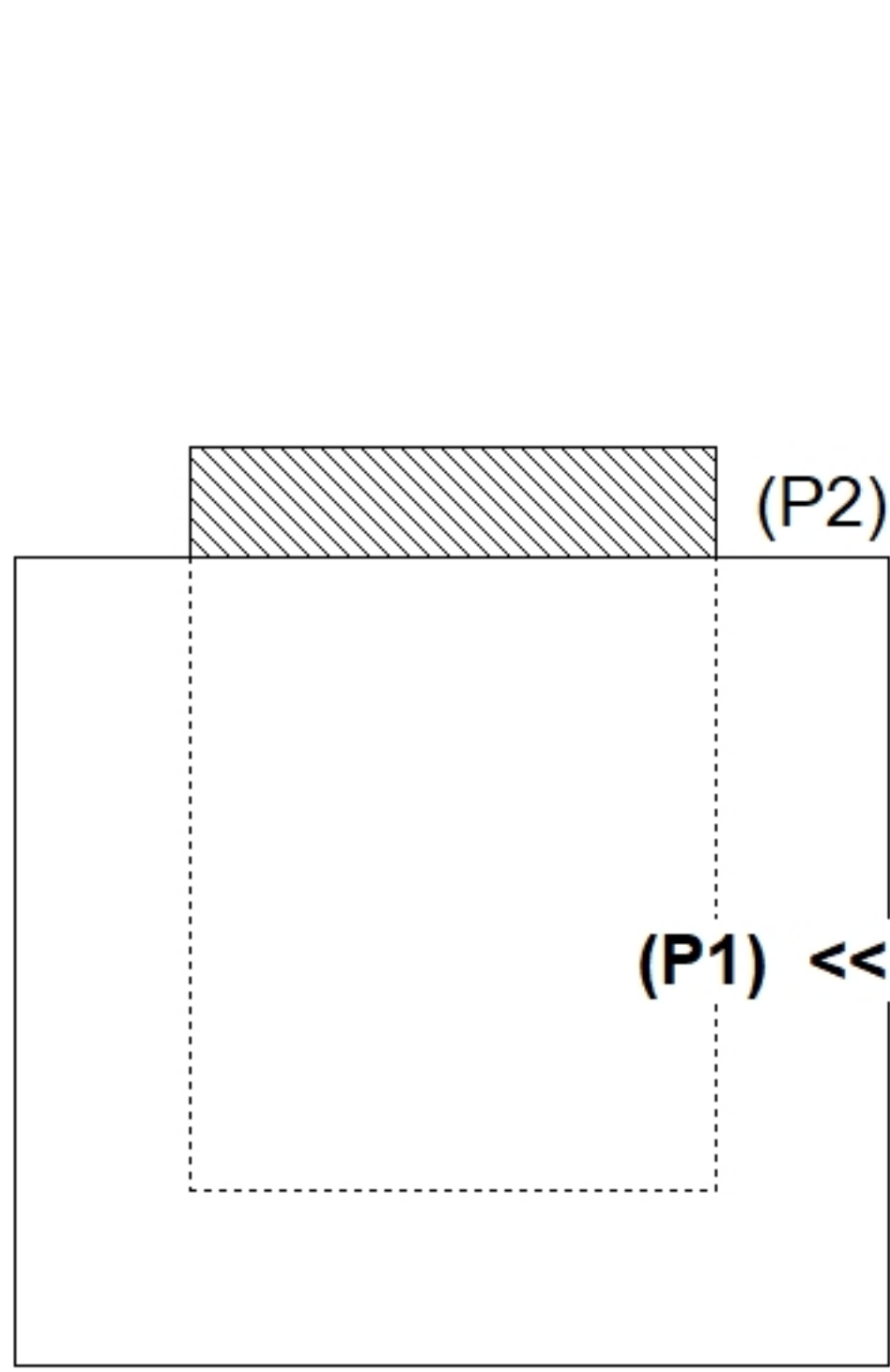
REINFORCING PER ASTM A615 (GRADE 60).
 - WALLS (As .31) #5 BARS AT 12" C.C.E.W.
 - FLOOR (As .31) #5 BARS AT 12" C.C.E.W.

Rim: 435.6' Rim to Invert: 2.84' Slack: 0.08" Sump: 0" Step Position:

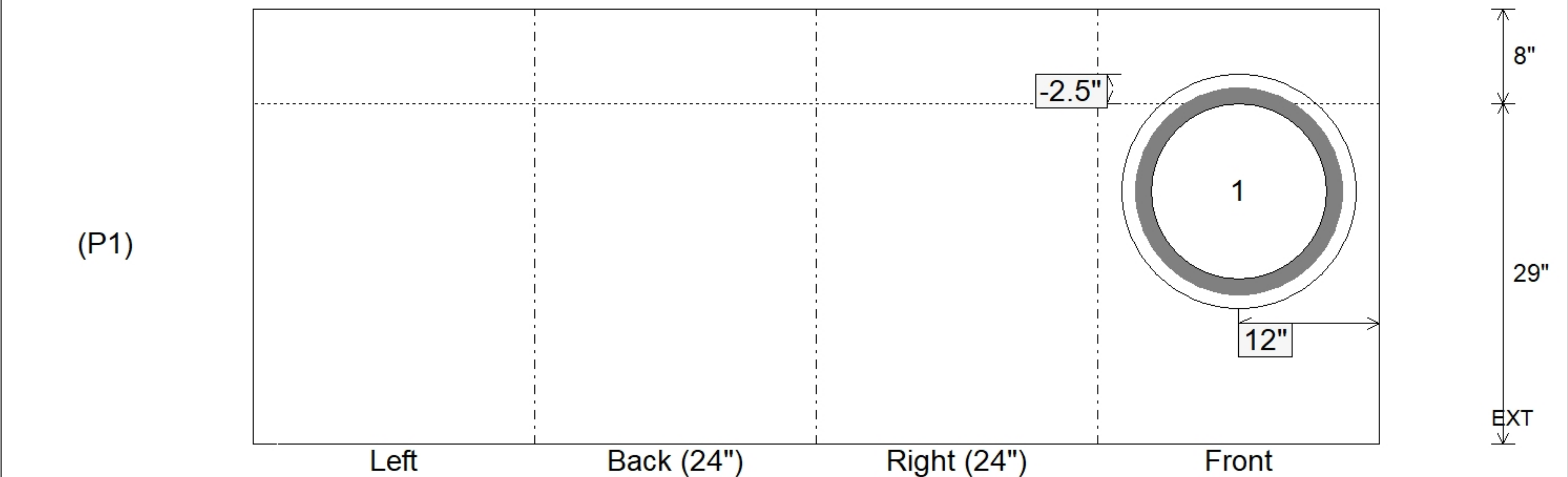
Position	Elev	Angle	Ext. (cw)	Pipe	Pipe OD	Connector	Hole	Horz Size	Up ()	Offset
Invert 1	432.76'	0°	20"	15" HDPE	17.6"	Hole 20	20"	20"	-2.5"	0"
Invert 2										
Invert 3										
Invert 4										
Invert 5										
Invert 6										
Invert 7										
Invert 8										

RIGHT-SIDE UP VIEW (int. dimensions)

UPSIDE-DOWN VIEW (int. dimensions)



INSIDE WALL DIMENSIONS



Coating (Int):	Seam Up: Flat	Wall Thickness: 8"	Height (Int): 29"	Weight (Net): 3355 lb
Coating (Ext):	Seam Dn: n/a	Floor Height: 8"	Height (Ext): 37"	Volume (Net): 0.86cu.yd