

Job Name: 25-3657 Yorktown Subdivision
Job Location: Madisonville, KY
Contractor: Gaston Engineering

PC: Erica Bradley
 TECH: J.Horsley - A
 Plant: 100



Structure ID: 8
 Spec: KYTC
 Type: CBI TYPE F
 Size: 24" x 24"

Rim: 439'
 Invert: 435.91'
 Rim to Invert: 3.09'

Sump: 0"
 Floor (Top): 435.91'
 Floor Height: 8"

Floor (Bot): 435.243'
 Overall Height: 3.75'
 Slack: 0.08"

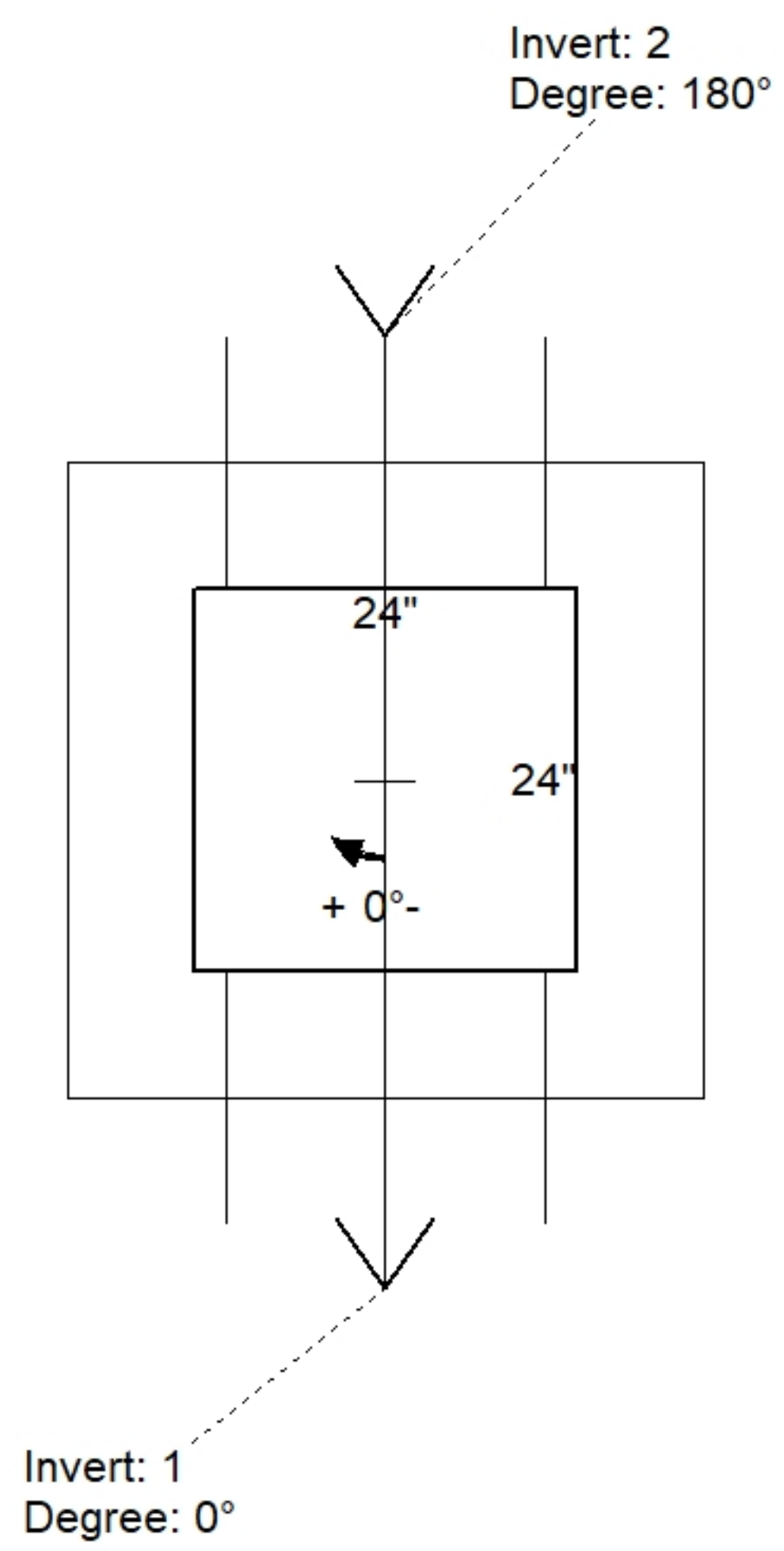
Structure Notes:

- **KYTC STATE PROJECT****
- CASTING: HOE KY-465 PROVIDED BY ICAST
 - KYTC CBI TYPE F / ASTM C913 SPECIFICATIONS.
 - CONCRETE = 4,000 PSI AT 28 DAYS.
 - NO INVERT CHANNEL.
 - NO STEPS.
- REINFORCING PER ASTM A615 (GRADE 60).
 - WALLS (As .31) #5 BARS AT 12" C.C.E.W.
 - FLOOR (As .31) #5 BARS AT 12" C.C.E.W.

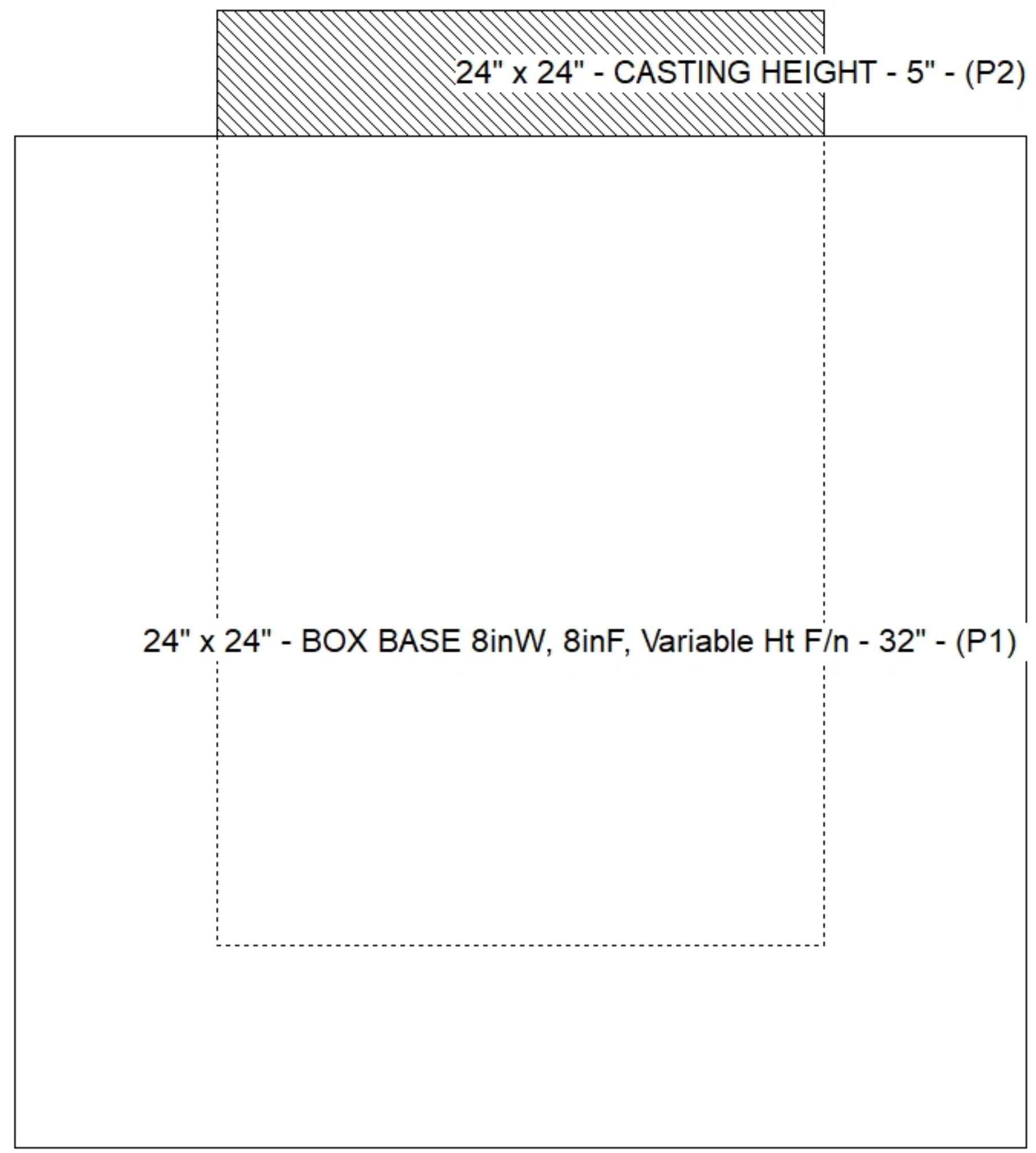
STRUCTURE SUMMARY:

P2) 24" x 24" - CASTING HEIGHT - 5"	0 lb
P1) 24" x 24" - BOX BASE 8inW, 8inF, Variable Ht F/n - 32"	3402 lb
1) CASTING - HOE KY-465 SET (CBI TY F)	465 lb
1) 24" x 24" - Conseal CS-102 1.00"	0 lb
2) Hole - 20	0 lb

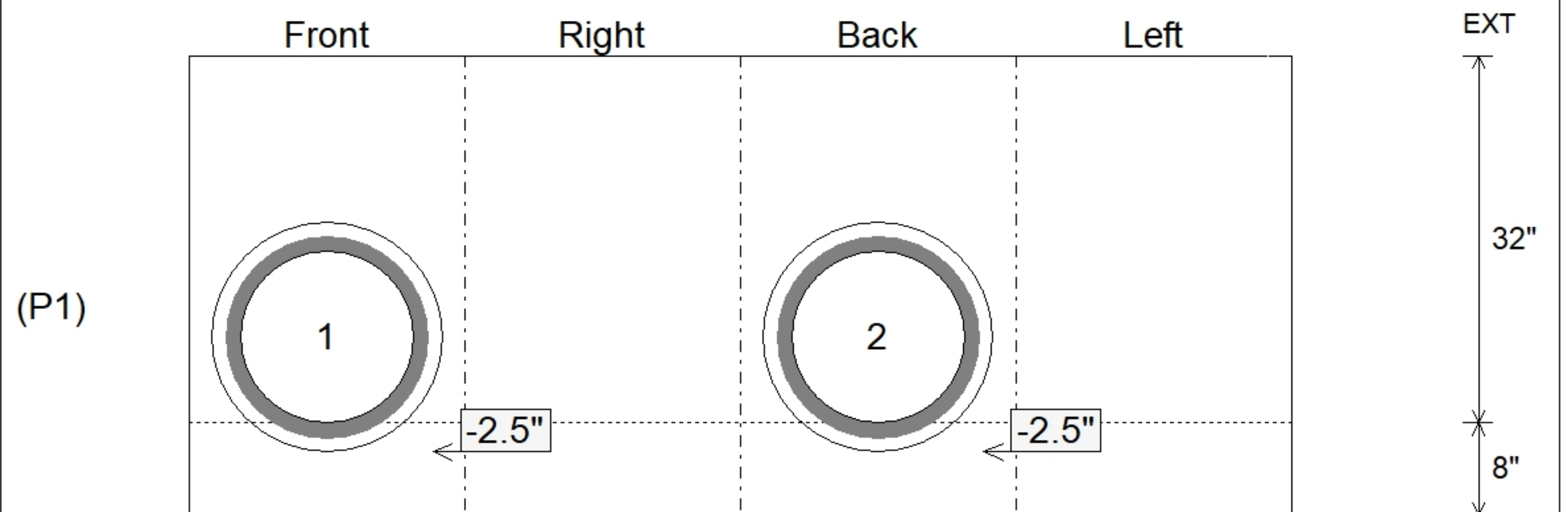
Structure Total:	3867 lb



Position	Elev	Angle	Pipe	Pipe OD	Hole	Connector	Up ()	Ref
Rim	439'							
Reducer								
Invert 1	435.91'	0°	15" HDPE	17.6"	20"	Hole 20	-2.5"	P1
Invert 2	435.91'	180°	15" HDPE	17.6"	20"	Hole 20	-2.5"	P1
Invert 3								
Invert 4								
Invert 5								
Invert 6								
Invert 7								
Invert 8								



Cast (Int. Dim.) - Interior Dimensions



Submittal Drawing
 11/18/2025 3:14:15 PM

SUBMITTAL
 APPROVED BY: