

Job Name: 25-3657 Yorktown Subdivision
 Job Location: Madisonville, KY
 Contractor: Gaston Engineering

Plant: 100

11/18/2025 3:15:17 PM

Tech: J.Horsley - A

PC: Erica Bradley



Structure ID: 6

P1 BX2424-08BAVF

BOX BASE 8inW, 8inF, Variable Ht F/n

- P2) 24" x 24" - CASTING HEIGHT - 5"
- P1) 24" x 24" - BOX BASE 8inW, 8inF, Variable Ht F/n - 29"
- 1) CASTING - HOE KY-465 SET (CBI TY F)
- 1) 24" x 24" - Conseal CS-102 1.00"
- 2) Hole - 20

0 lb
 3132 lb
 465 lb
 0 lb
 0 lb

 Structure Total: 3597 lb

Structure Notes:

1. CASTING: HOE KY-465 PROVIDED BY ICAST
2. KYTC CBI TYPE F / ASTM C913 SPECIFICATIONS.
3. CONCRETE = 4,000 PSI AT 28 DAYS.
4. NO INVERT CHANNEL.
5. NO STEPS.

REINFORCING PER ASTM A615 (GRADE 60).

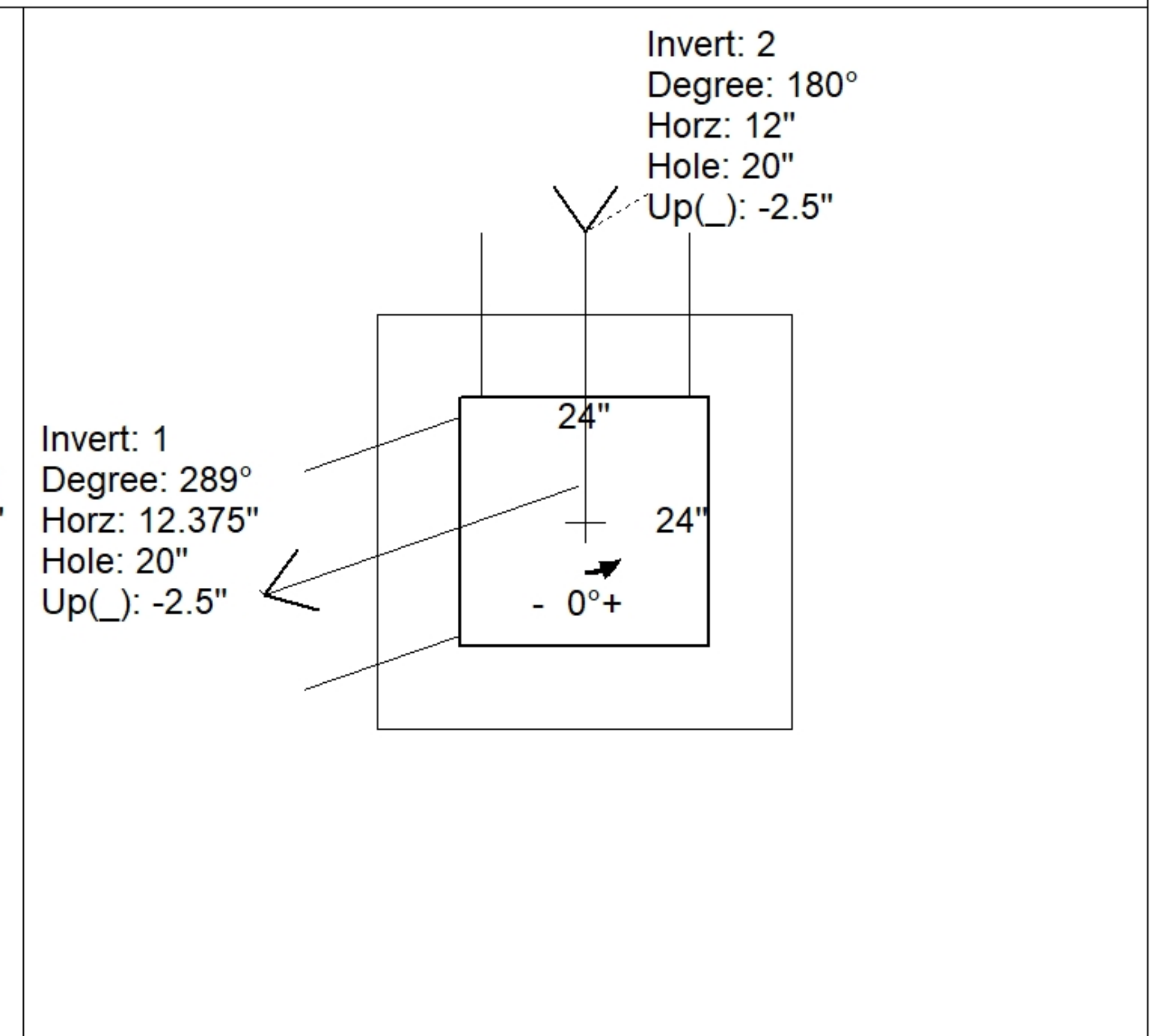
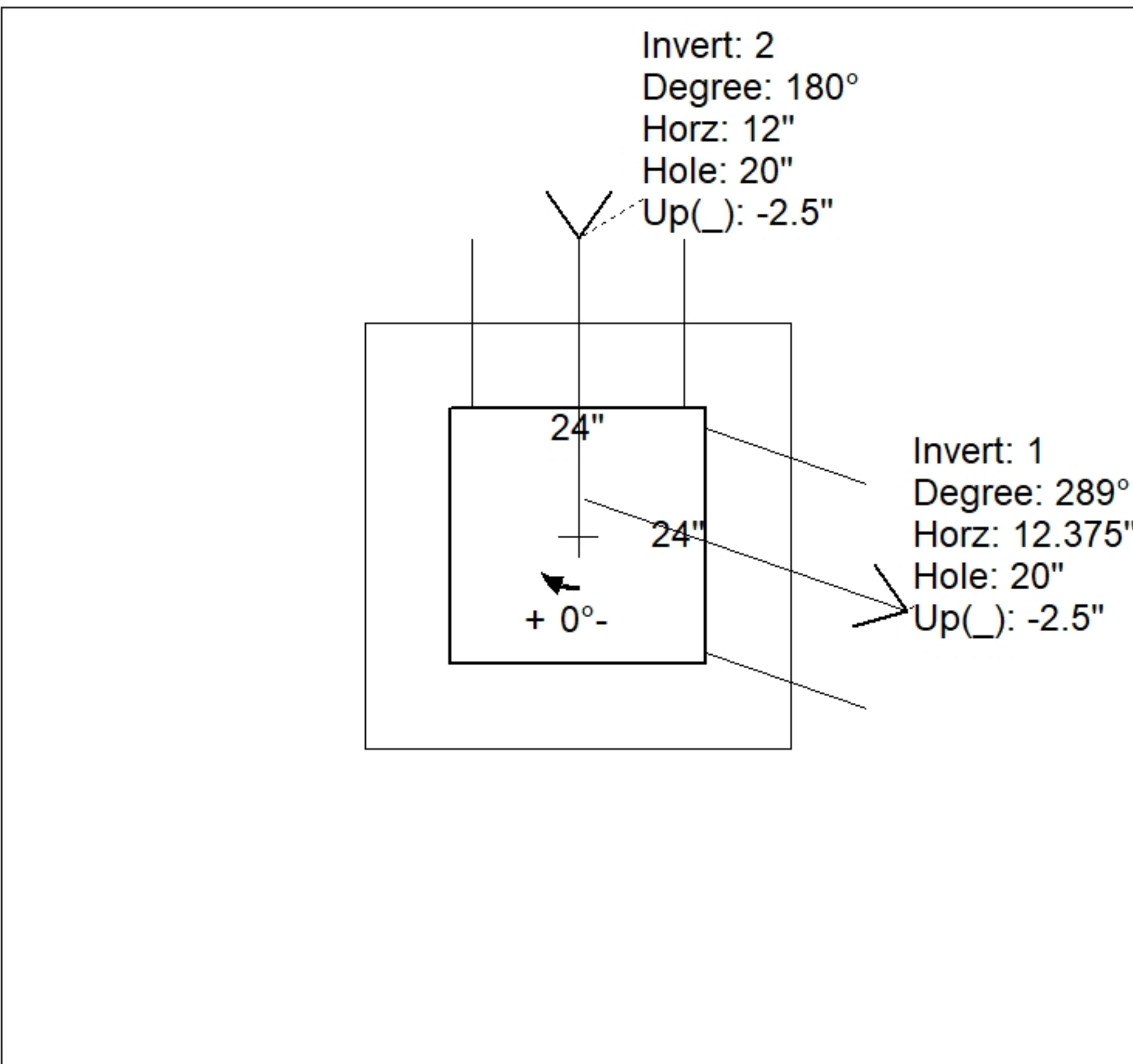
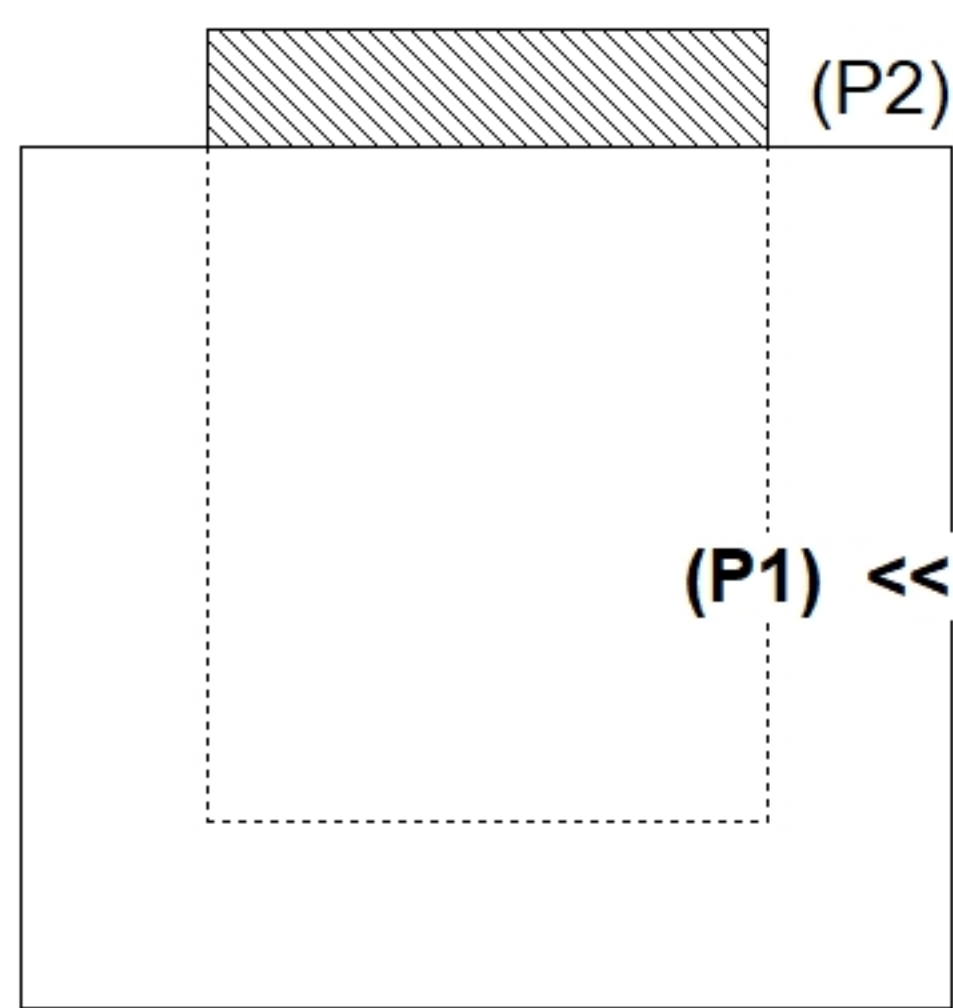
- WALLS (As .31) #5 BARS AT 12" C.C.E.W.
- FLOOR (As .31) #5 BARS AT 12" C.C.E.W.

Rim: 432' Rim to Invert: 2.87' Slack: 0.44" Sump: 0" Step Position:

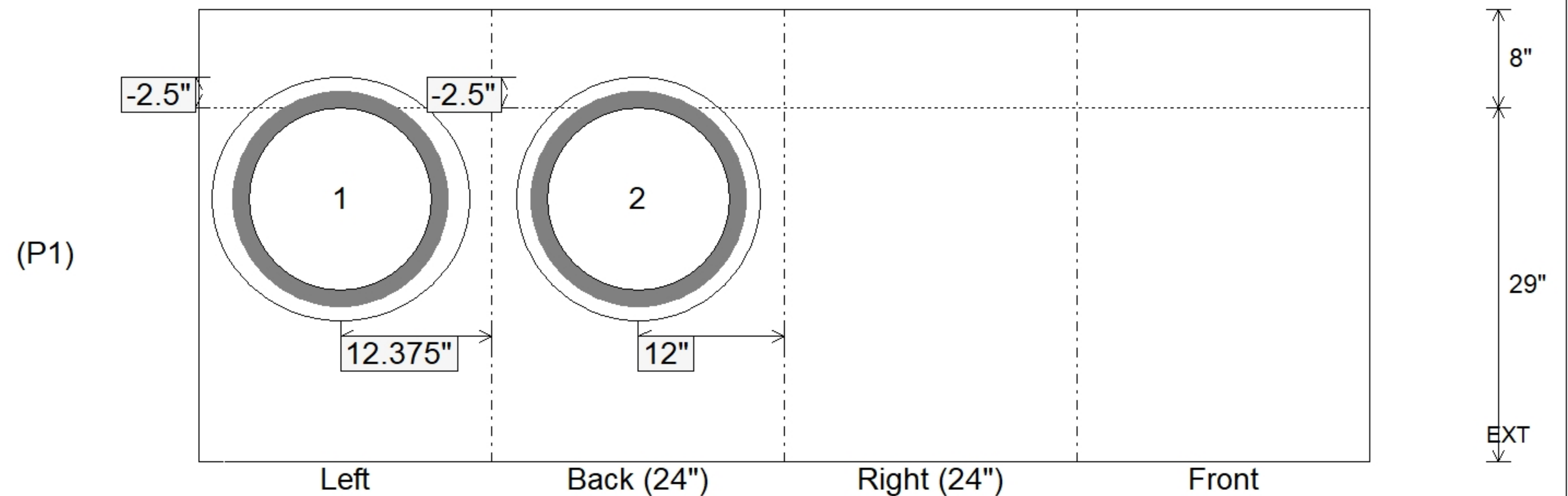
Position	Elev	Angle	Ext. (cw)	Pipe	Pipe OD	Connector	Hole	Horz Size	Up ()	Offset
Invert 1	429.13'	289°	23.125"	15" HDPE	17.6"	Hole 20	20"	21.152"	-2.5"	-3.5"
Invert 2	429.13'	180°	20"	15" HDPE	17.6"	Hole 20	20"	20"	-2.5"	0"
Invert 3										
Invert 4										
Invert 5										
Invert 6										
Invert 7										
Invert 8										

RIGHT-SIDE UP VIEW (int. dimensions)

UPSIDE-DOWN VIEW (int. dimensions)



INSIDE WALL DIMENSIONS



Coating (Int):
 Coating (Ext):

Seam Up: Flat
 Seam Dn: n/a

Wall Thickness: 8"
 Floor Height: 8"

Height (Int): 29"
 Height (Ext): 37"

Weight (Net): 3132 lb
 Volume (Net): 0.8cu.yd