

Job Name: 25-3657 Yorktown Subdivision
Job Location: Madisonville, KY
Contractor: Gaston Engineering

PC: Erica Bradley
 TECH: J.Horsley - A
 Plant: 100



Structure ID: 4

Spec: Storm-Pipe Centered
 Type: BX 8inW, 8inF
 Size: 24" x 24"

Rim: 432.5'
 Invert: 429.83'
 Rim to Invert: 2.67'

Sump: 0"
 Floor (Top): 429.83'
 Floor Height: 8"

Floor (Bot): 429.163'
 Overall Height: 3.333'
 Slack: 0.04"

Structure Notes:

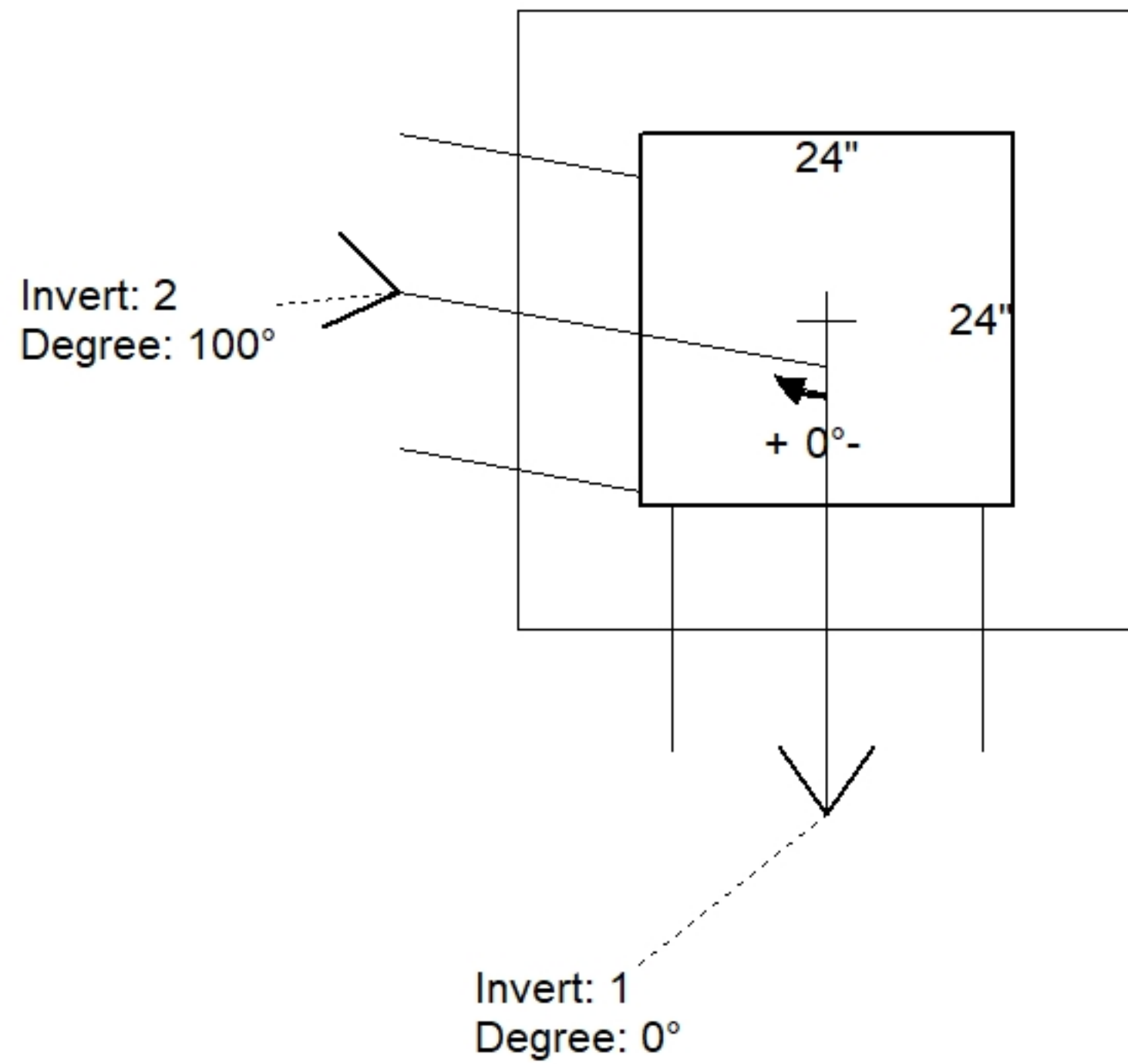
1. CASTING:HOE-280-ADA PROVIDED BY ICAST.
2. PER ASTM C913 SPECIFICATIONS.
3. CONCRETE = 4,000 PSI AT 28 DAYS.
4. NO INVERT CHANNEL.

REINFORCING PER ASTM A615 (GRADE 60).
 - WALLS (As .31) #5 BARS AT 12" C.C.E.W.
 - FLOOR (As .31) #5 BARS AT 12" C.C.E.W.

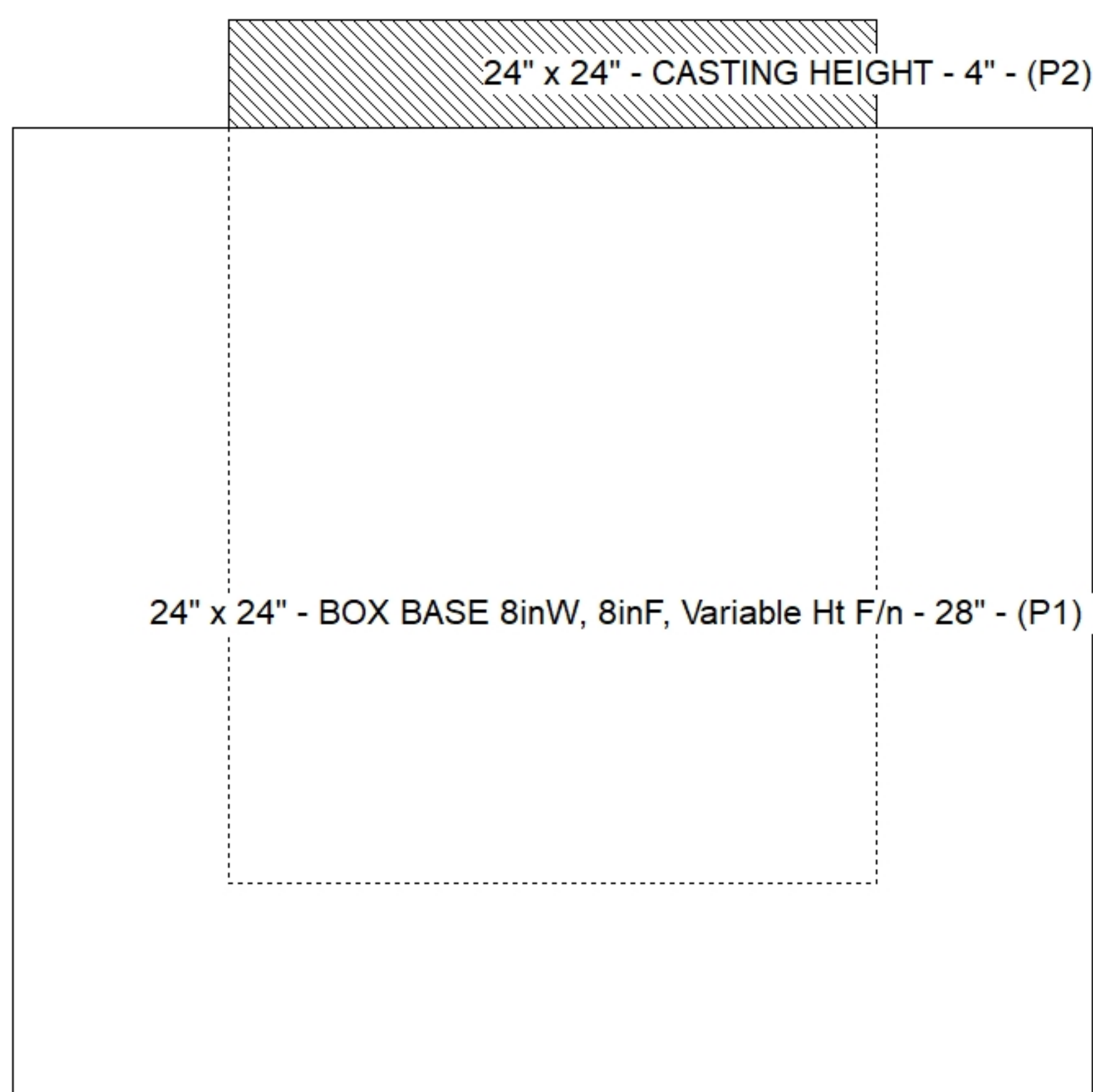
STRUCTURE SUMMARY:

P2) 24" x 24" - CASTING HEIGHT - 4"	0 lb
P1) 24" x 24" - BOX BASE 8inW, 8inF, Variable Ht F/n - 28"	3055 lb
1) CASTING - HOE 280-ADA F/G	182 lb
1) 24" x 24" - Conseal CS-102 1.00"	0 lb
2) Hole - 20	0 lb

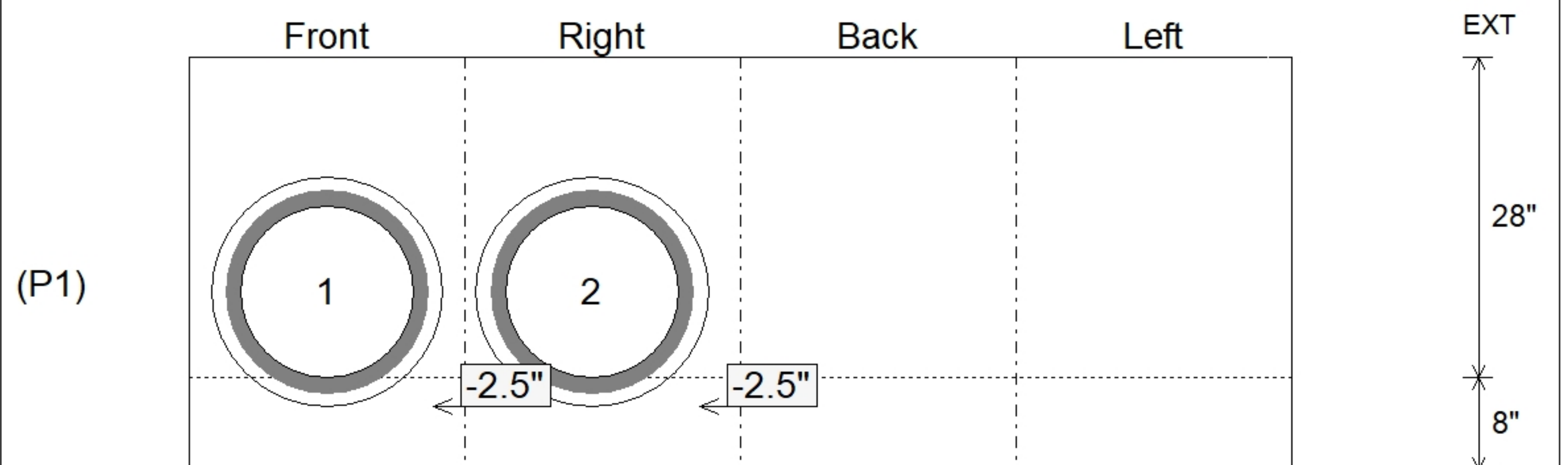
Structure Total:	3237 lb



Position	Elev	Angle	Pipe	Pipe OD	Hole	Connector	Up ()	Ref
Rim	432.5'							
Reducer								
Invert 1	429.83'	0°	15" HDPE	17.6"	20"	Hole 20	-2.5"	P1
Invert 2	429.83'	100°	15" HDPE	17.6"	20"	Hole 20	-2.5"	P1
Invert 3								
Invert 4								
Invert 5								
Invert 6								
Invert 7								
Invert 8								



Cast (Int. Dim.) - Interior Dimensions



Submittal Drawing
 11/18/2025 3:14:12 PM

SUBMITTAL
 APPROVED BY: