

Structure ID: 4

P1 BX2424-08BAVF

BOX BASE 8inW, 8inF, Variable Ht F/n

P2) 24" x 24" - CASTING HEIGHT - 4" P1) 24" x 24" - BOX BASE 8inW, 8inF, Variable Ht F/n - 28" 1) CASTING - HOE 280-ADA F/G 1) 24" x 24" - Conseal CS-102 1.00" 2) Hole - 20	0 lb 3055 lb 182 lb 0 lb 0 lb ----- Structure Total: 3237 lb
--	--

Structure Notes:

1. CASTING:HOE-280-ADA PROVIDED BY ICAST.
2. PER ASTM C913 SPECIFICATIONS.
3. CONCRETE = 4,000 PSI AT 28 DAYS.
4. NO INVERT CHANNEL.

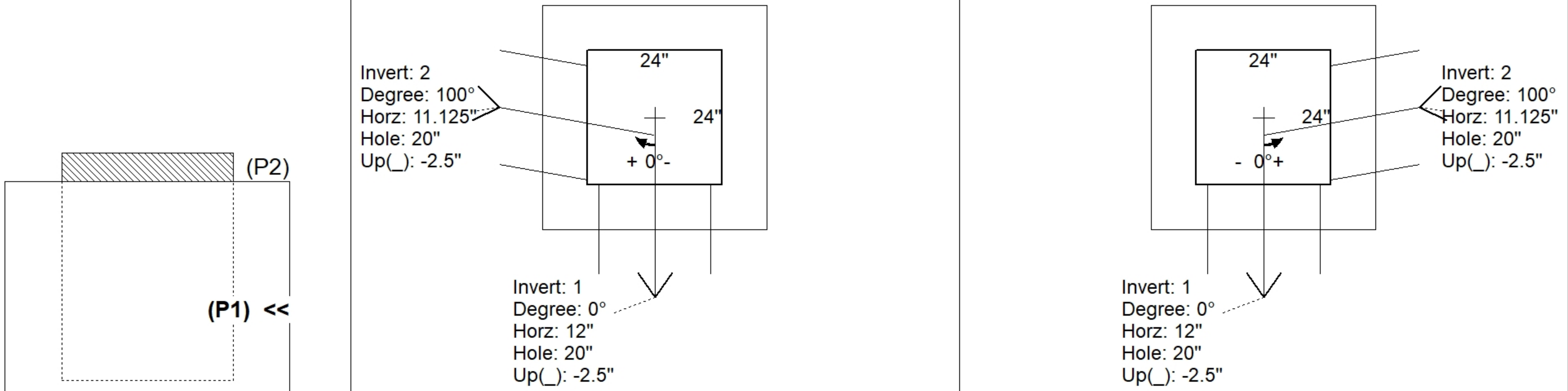
REINFORCING PER ASTM A615 (GRADE 60).
 - WALLS (As .31) #5 BARS AT 12" C.C.E.W.
 - FLOOR (As .31) #5 BARS AT 12" C.C.E.W.

Rim: 432.5' Rim to Invert: 2.67' Slack: 0.04" Sump: 0" Step Position:

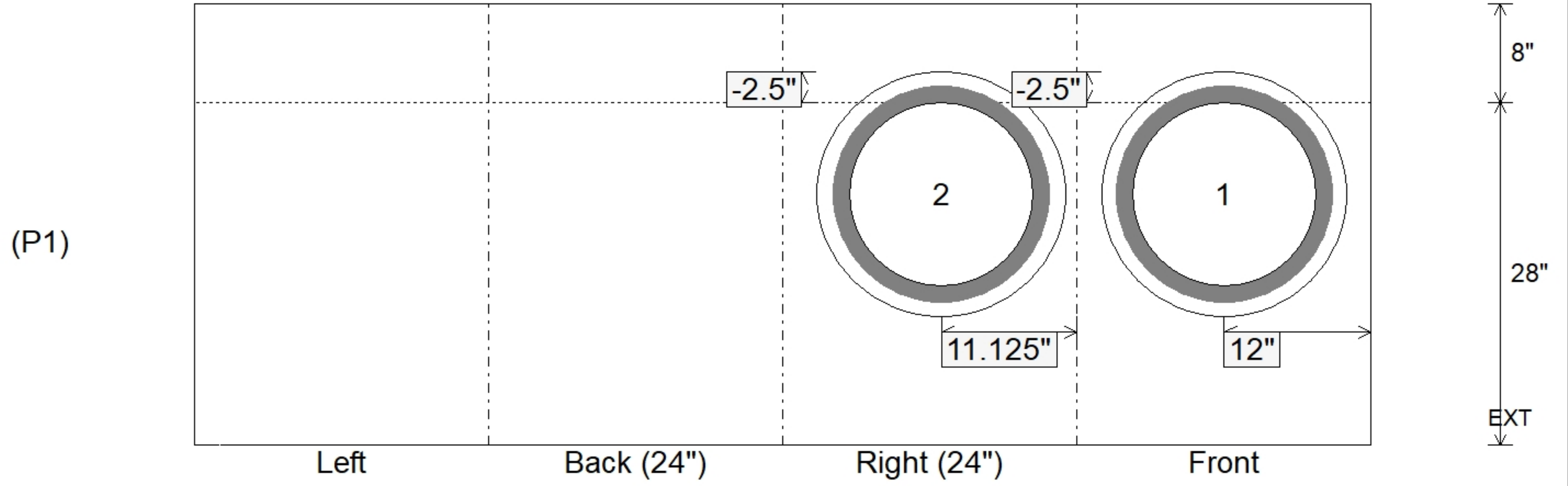
Position	Elev	Angle	Ext. (cw)	Pipe	Pipe OD	Connector	Hole	Horz Size	Up ()	Offset
Invert 1	429.83'	0°	20"	15" HDPE	17.6"	Hole 20	20"	20"	-2.5"	0"
Invert 2	429.83'	100°	20.5"	15" HDPE	17.6"	Hole 20	20"	20.309"	-2.5"	-3"
Invert 3										
Invert 4										
Invert 5										
Invert 6										
Invert 7										
Invert 8										

RIGHT-SIDE UP VIEW (int. dimensions)

UPSIDE-DOWN VIEW (int. dimensions)



INSIDE WALL DIMENSIONS



Coating (Int): Coating (Ext):	Seam Up: Flat Seam Dn: n/a	Wall Thickness: 8" Floor Height: 8"	Height (Int): 28" Height (Ext): 36"	Weight (Net): 3055 lb Volume (Net): 0.78cu.yd
----------------------------------	-------------------------------	--	--	--