

Job Name: 25-3657 Yorktown Subdivision
Job Location: Madisonville, KY
Contractor: Gaston Engineering

PC: Erica Bradley
 TECH: J.Horsley - A
 Plant: 100



Structure ID: 3
 Spec: KYTC
 Type: CBI TYPE F
 Size: 24" x 24"

Rim: 426.2'
 Invert: 422.78'
 Rim to Invert: 3.42'

Sump: 0"
 Floor (Top): 422.78'
 Floor Height: 8"

Floor (Bot): 422.113'
 Overall Height: 4.083'
 Slack: 0.04"

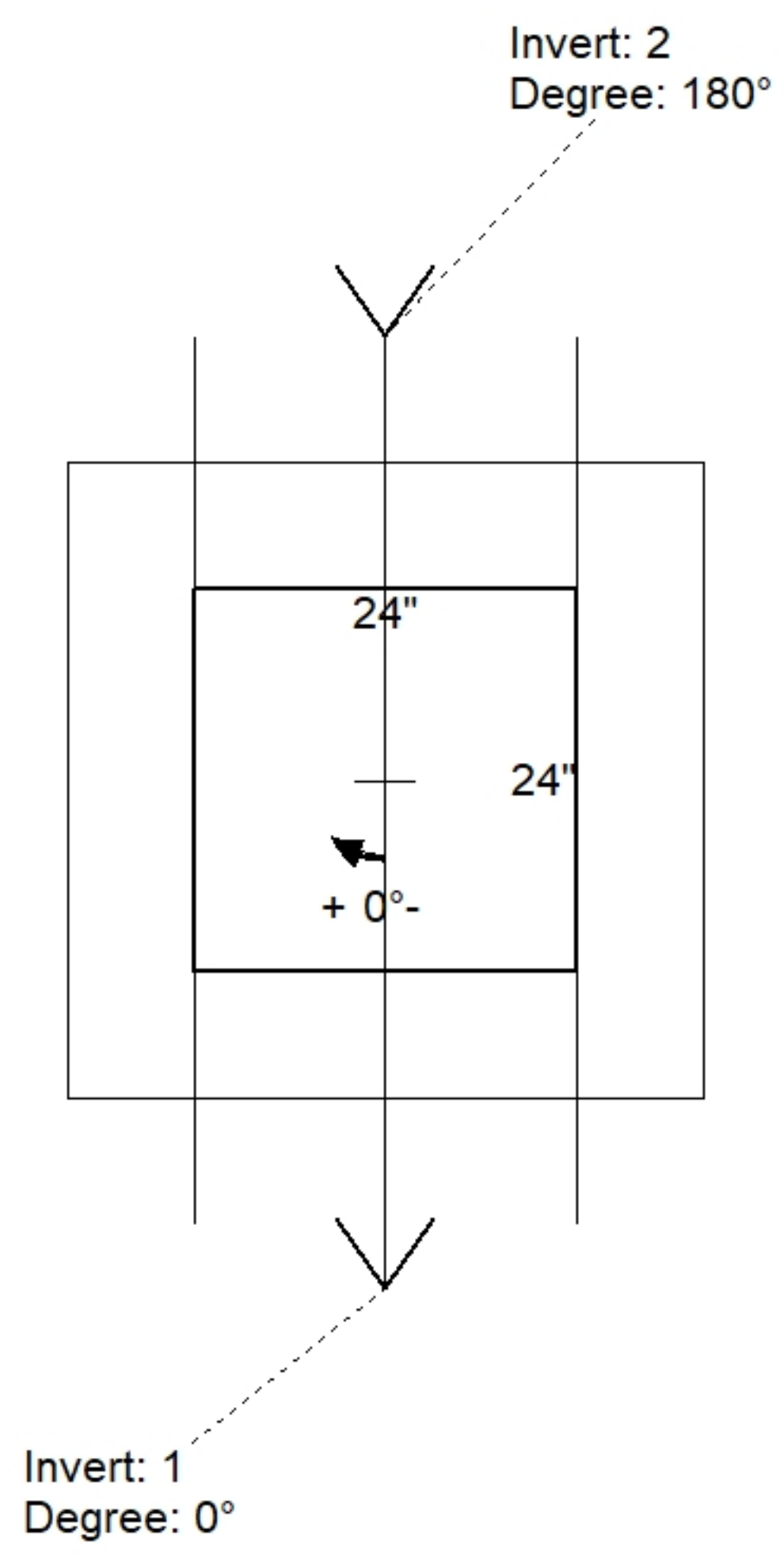
Structure Notes:
 KYTC STATE PROJECT
 1. CASTING: HOE KY-465 PROVIDED BY ICAST
 2. KYTC CBI TYPE F / ASTM C913 SPECIFICATIONS.
 3. CONCRETE = 4,000 PSI AT 28 DAYS.
 4. NO INVERT CHANNEL.
 5. NO STEPS.

REINFORCING PER ASTM A615 (GRADE 60).
 - WALLS (As .31) #5 BARS AT 12" C.C.E.W.
 - FLOOR (As .31) #5 BARS AT 12" C.C.E.W.

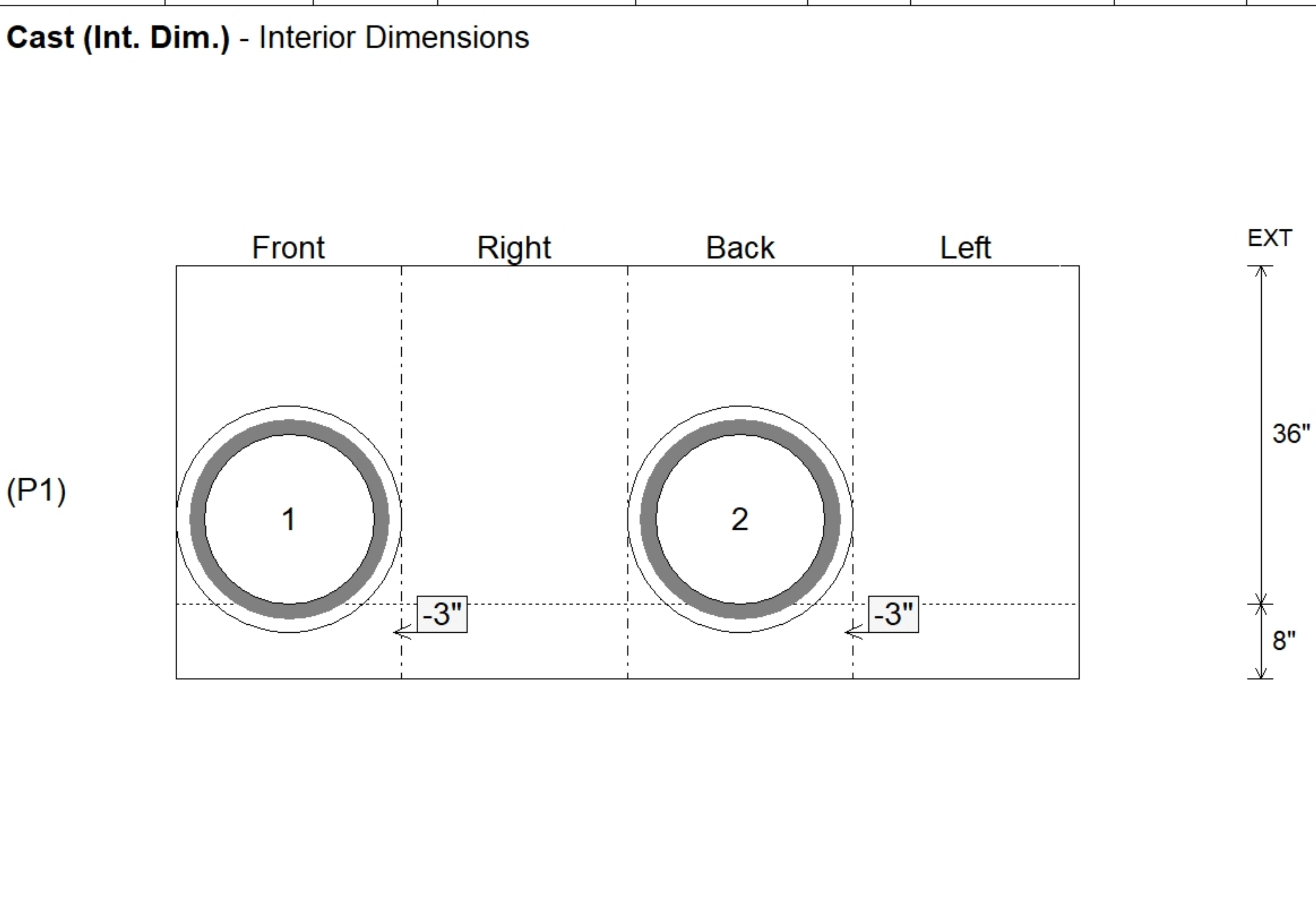
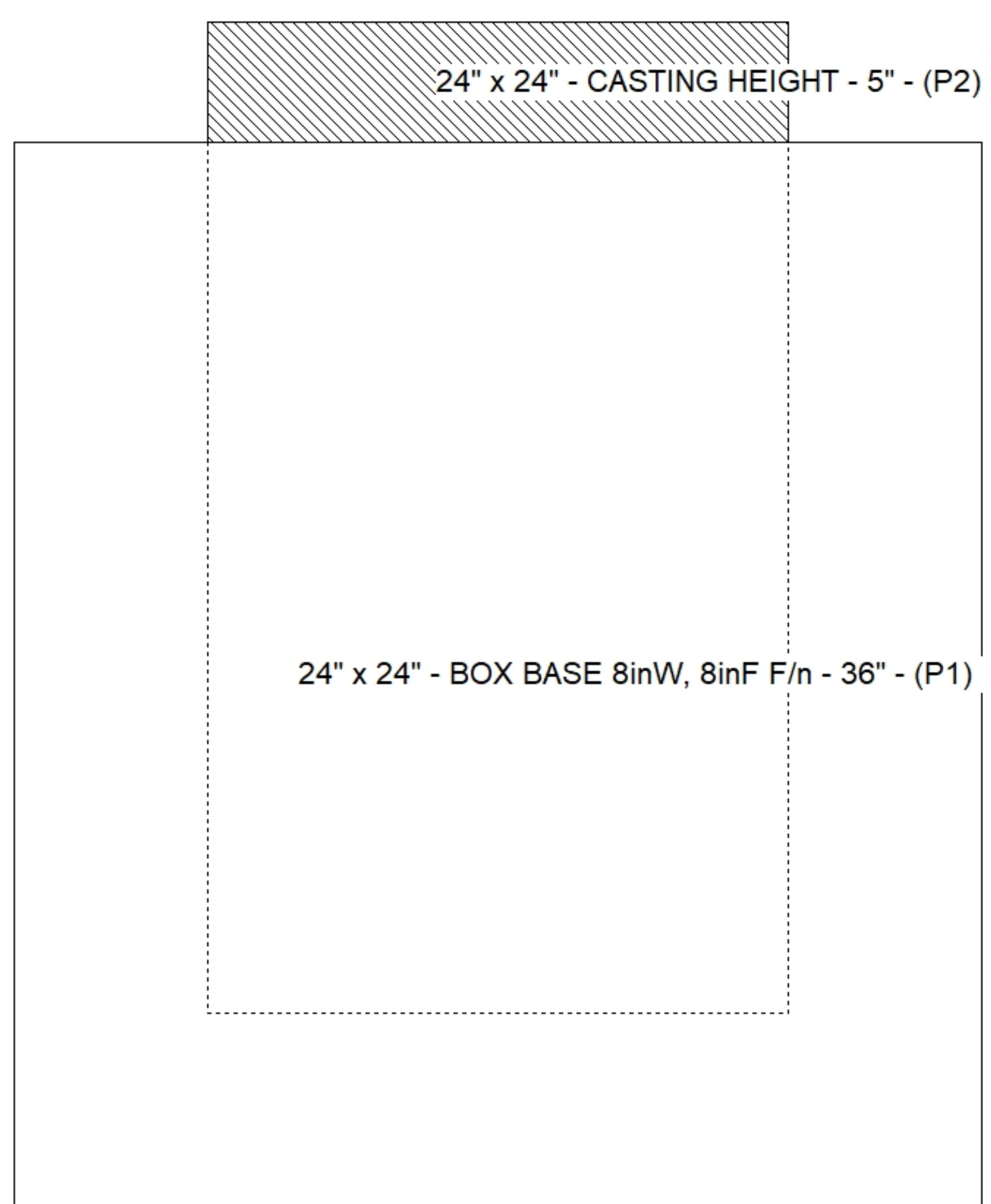
STRUCTURE SUMMARY:

P2) 24" x 24" - CASTING HEIGHT - 5"	0 lb
P1) 24" x 24" - BOX BASE 8inW, 8inF F/n - 36"	3712 lb
1) CASTING - HOE KY-465 SET (CBI TY F)	465 lb
1) 24" x 24" - Conseal CS-102 1.00"	0 lb
2) Hole - 24	0 lb

Structure Total:	4177 lb



Position	Elev	Angle	Pipe	Pipe OD	Hole	Connector	Up ()	Ref
Rim	426.2'							
Reducer								
Invert 1	422.78'	0°	18" HDPE	21.2"	24"	Hole 24	-3"	P1
Invert 2	422.78'	180°	18" HDPE	21.2"	24"	Hole 24	-3"	P1
Invert 3								
Invert 4								
Invert 5								
Invert 6								
Invert 7								
Invert 8								



Submittal Drawing
 11/18/2025 3:14:13 PM

SUBMITTAL
 APPROVED BY: