

**Job Name: 25-3657 Yorktown Subdivision**  
**Job Location: Madisonville, KY**  
**Contractor: Gaston Engineering**

PC: Erica Bradley  
 TECH: J.Horsley - A  
 Plant: 100



Structure ID: 11  
 Spec: KYTC  
 Type: CBI TYPE F  
 Size: 24" x 24"

Rim: 440.3'  
 Invert: 437.21'  
 Rim to Invert: 3.09'

Sump: 0"  
 Floor (Top): 437.21'  
 Floor Height: 8"

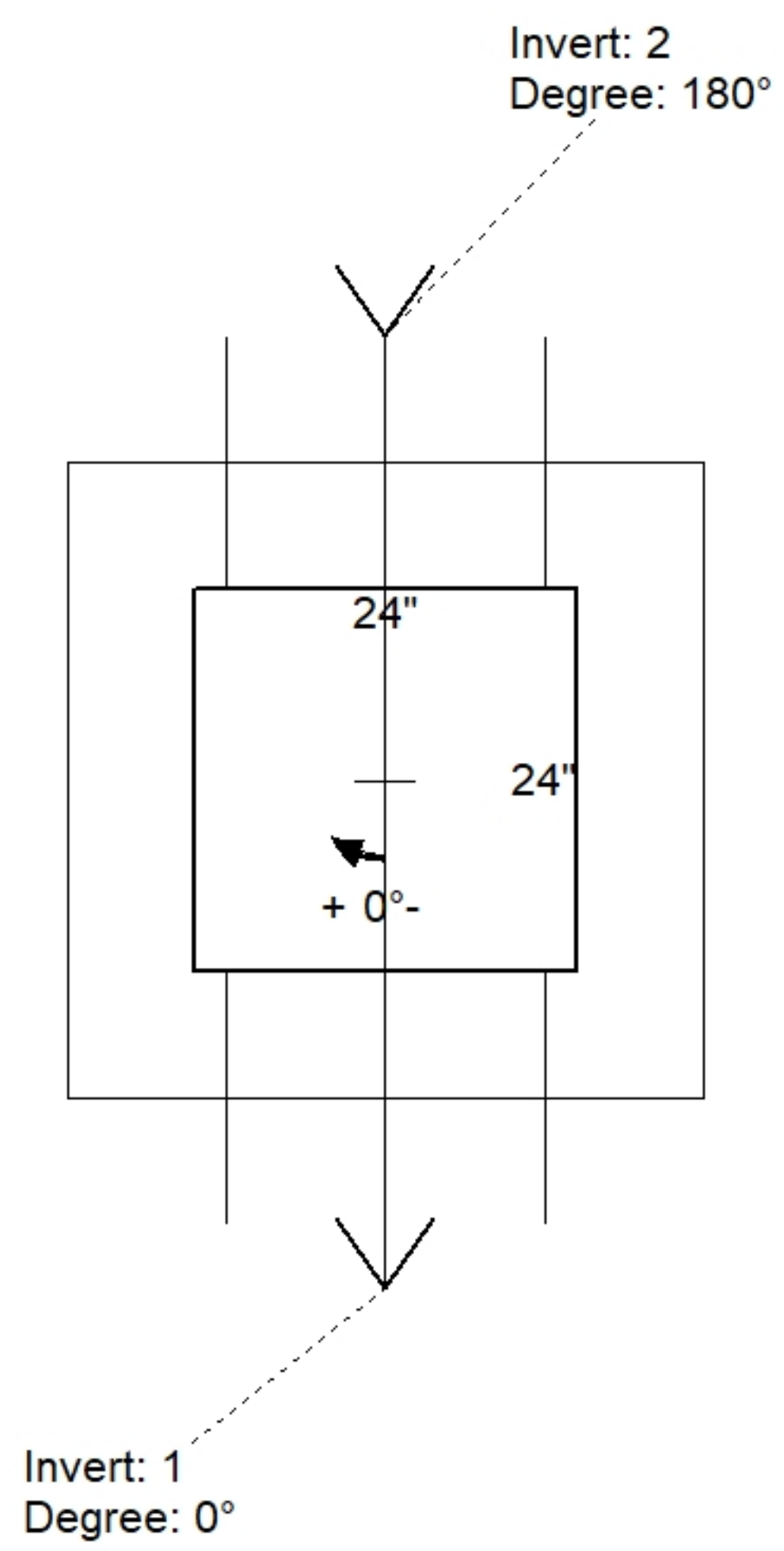
Floor (Bot): 436.543'  
 Overall Height: 3.75'  
 Slack: 0.08"

**Structure Notes:**

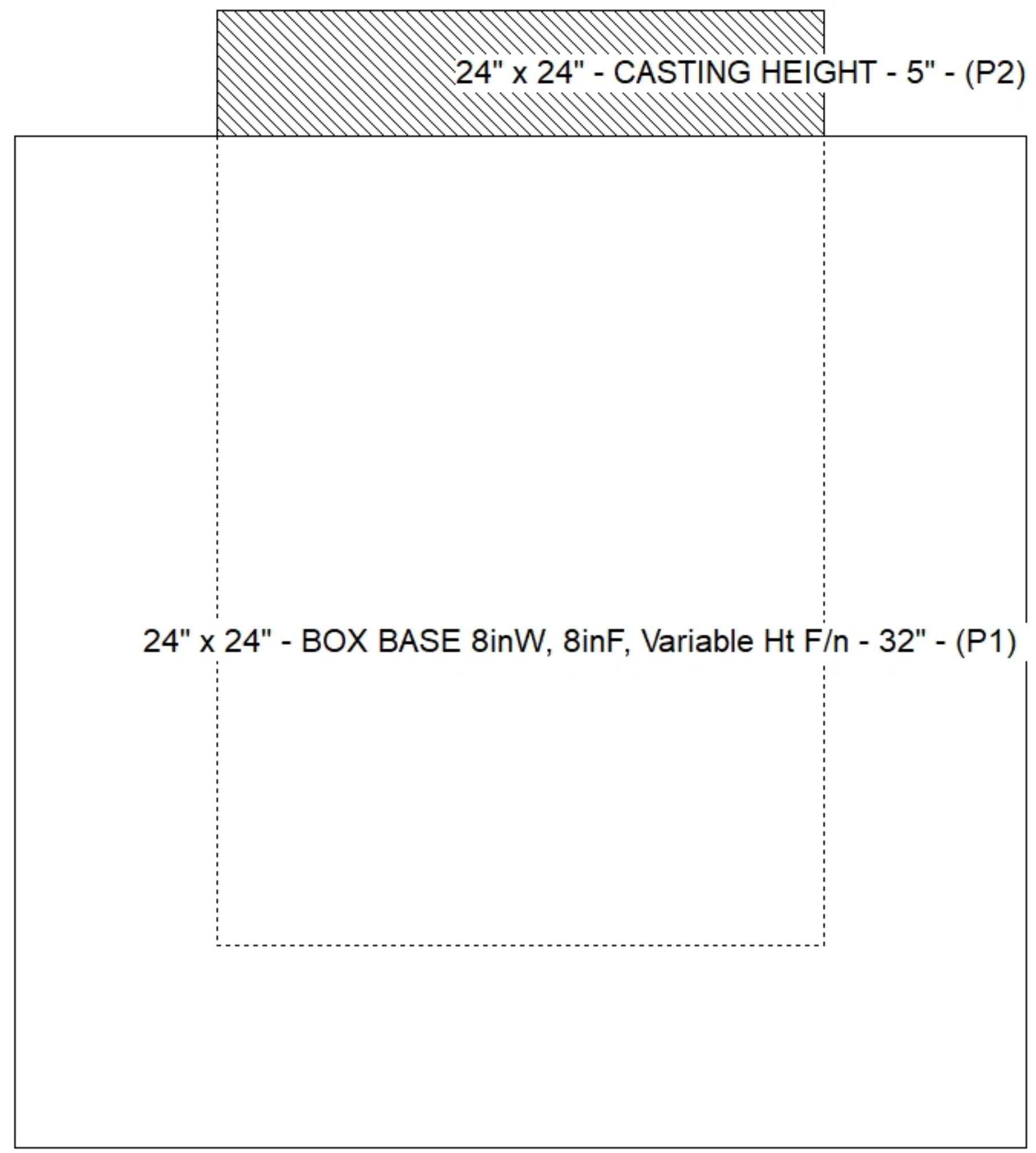
- \*\*KYTC STATE PROJECT\*\***
- CASTING: HOE KY-465 PROVIDED BY ICAST
  - KYTC CBI TYPE F / ASTM C913 SPECIFICATIONS.
  - CONCRETE = 4,000 PSI AT 28 DAYS.
  - NO INVERT CHANNEL.
  - NO STEPS.
- REINFORCING PER ASTM A615 (GRADE 60).  
 - WALLS (As .31) #5 BARS AT 12" C.C.E.W.  
 - FLOOR (As .31) #5 BARS AT 12" C.C.E.W.

**STRUCTURE SUMMARY:**

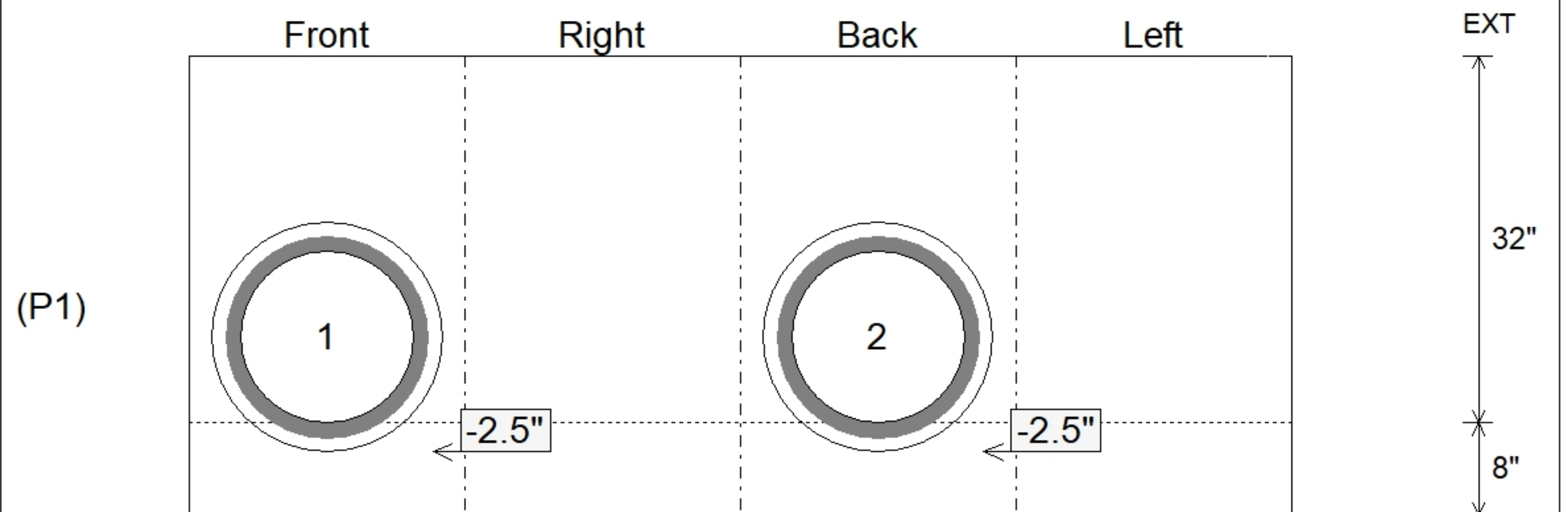
P2) 24" x 24" - CASTING HEIGHT - 5"	0 lb
P1) 24" x 24" - BOX BASE 8inW, 8inF, Variable Ht F/n - 32"	3402 lb
1) CASTING - HOE KY-465 SET (CBI TY F)	465 lb
1) 24" x 24" - Conseal CS-102 1.00"	0 lb
2) Hole - 20	0 lb
	-----
<b>Structure Total:</b>	<b>3867 lb</b>



Position	Elev	Angle	Pipe	Pipe OD	Hole	Connector	Up ( )	Ref
Rim	440.3'							
Reducer								
Invert 1	437.21'	0°	15" HDPE	17.6"	20"	Hole 20	-2.5"	P1
Invert 2	437.21'	180°	15" HDPE	17.6"	20"	Hole 20	-2.5"	P1
Invert 3								
Invert 4								
Invert 5								
Invert 6								
Invert 7								
Invert 8								



**Cast (Int. Dim.) - Interior Dimensions**



Submittal Drawing  
 11/18/2025 3:14:17 PM

SUBMITTAL  
 APPROVED BY: