

**Job Name: 25-3594 - Chipotle Mexican Grill**  
**Job Location: Paducah, KY 42001**  
**Contractor: H&T Development**

PC: T. Lewis  
 TECH: J. Horsley - F  
 Plant: 100



Structure ID: **DBI 2**

Spec: Storm  
 Type: STM.MH (Recessed pipe)  
 Size: 48"

Rim: 368.7'  
 Invert: 364.29'  
 Rim to Invert: 4.41'

Sump: 0"  
 Floor (Top): 364.29'  
 Floor Height: 6"

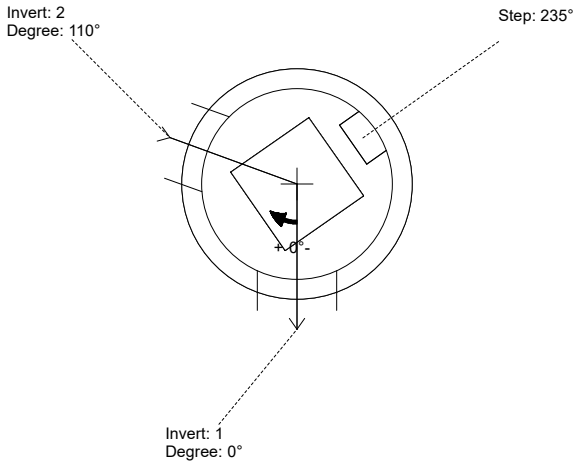
Floor (Bot): 363.79'  
 Overall Height: 4.833'  
 Slack: 0.92"

**Structure Notes:**

1. PER ASTM C-478 SPECIFICATIONS
2. CONCRETE: 4,000 PSI AT 28 DAYS
3. REINFORCEMENT:
  - FLAT LID: #4 BAR @ 10" C.C. E.W. (GRADE 60)
  - BASE: PER ASTM A615
4. NO INVERT CHANNEL
5. STEPS AT 235 DEGREES
6. CASTING BY ICAST (HOE 280T FRAME & GRATE)

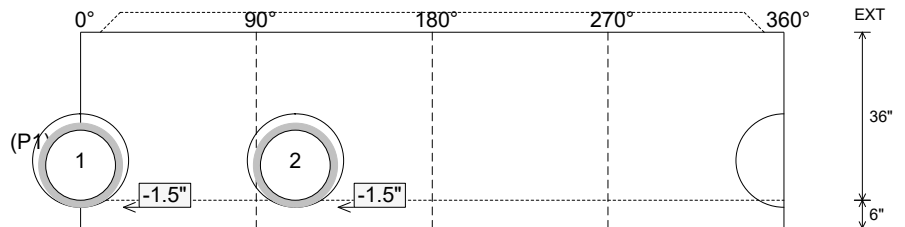
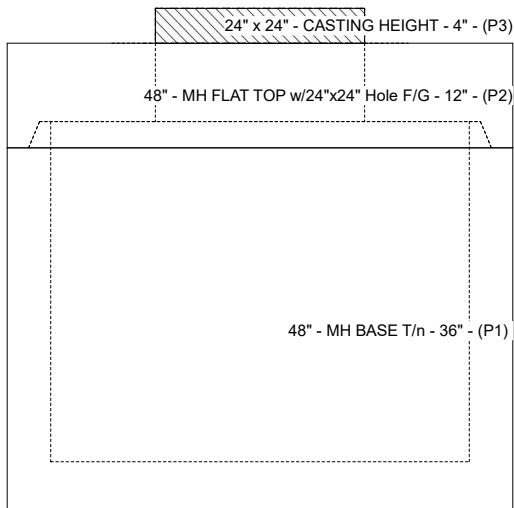
**STRUCTURE SUMMARY:**

P3) 24" x 24" - CASTING HEIGHT - 4"	0 lb
P2) 48" - MH FLAT TOP w/24"x24" Hole F/G - 12"	1500 lb
P1) 48" - MH BASE T/n - 36"	3575 lb
1) CASTING - HOE 280T F/G	182 lb
1) 48" - Conseal CS-102 1.00"	0 lb
1) 24" x 24" - Conseal CS-102 1.00"	0 lb
2) Hole - 20	0 lb
3) MH Step ML-10-TDS-NCR - 10"	0 lb
<b>Structure Total:</b>	<b>5257 lb</b>



Position	Elev	Angle	Pipe	Pipe OD	Hole	Connector	Up (")	Ref
Rim	368.7'							
Reducer								
Invert 1	364.29'	0°	15" ADS N-12	18"	20"	Hole 20	-1.5"	P1
Invert 2	364.29'	110°	15" ADS N-12	18"	20"	Hole 20	-1.5"	P1
Invert 3								
Invert 4								
Invert 5								
Invert 6								
Invert 7								
Invert 8								

**Cast (Int. Dim.) - Interior Dimensions**



Submittal Drawing  
 12/23/2025 8:41:23 AM

SUBMITTAL  
 APPROVED BY: