

Job Name: 25-3594 - Chipotle Mexican Grill  
 Job Location: Paducah, KY 42001  
 Contractor: H&T Development

Plant: 100

12/23/2025 8:50:25 AM

Tech: J. Horsley - F

PC: T. Lewis



**Structure ID: DBI 2**

**P1 MH048BA36**

**MH BASE T/n**

- P3) 24" x 24" - CASTING HEIGHT - 4"
- P2) 48" - MH FLAT TOP w/24"x24" Hole F/G - 12"
- P1) 48" - MH BASE T/n - 36"
- 1) CASTING - HOE 280T F/G
- 1) 48" - Conseal CS-102 1.00"
- 1) 24" x 24" - Conseal CS-102 1.00"
- 2) Hole - 20
- 3) MH Step ML-10-TDS-NCR - 10"

0 lb  
 1500 lb  
 3575 lb  
 182 lb  
 0 lb  
 0 lb  
 0 lb  
 0 lb  
 0 lb  
 Structure Total: 5257 lb

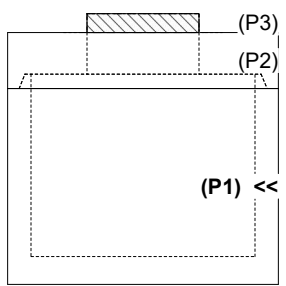
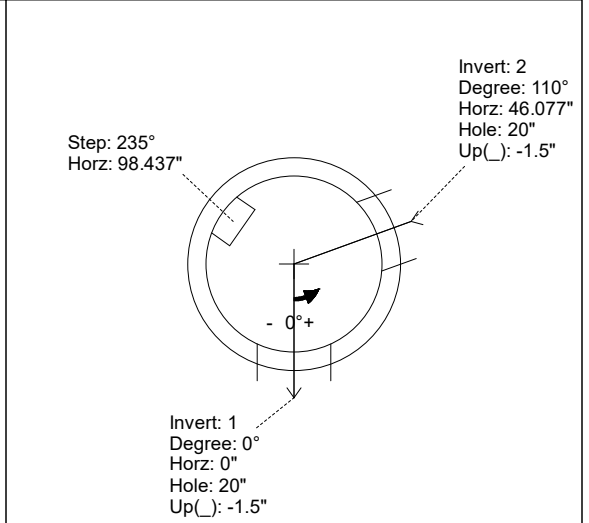
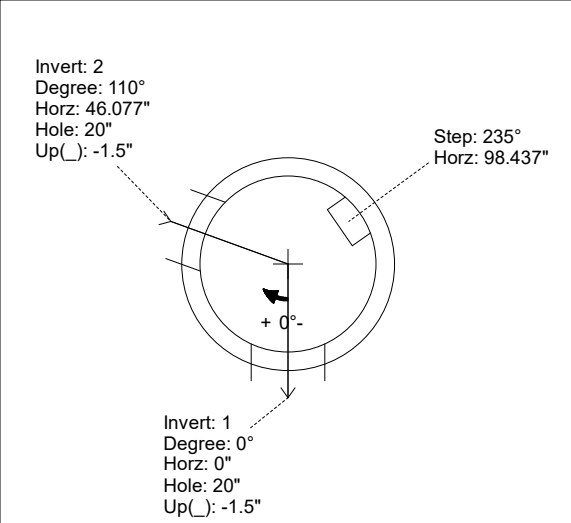
- Structure Notes:**
1. PER ASTM C-478 SPECIFICATIONS
  2. CONCRETE: 4,000 PSI AT 28 DAYS
  3. REINFORCEMENT: PER ASTM A615
  4. NO INVERT CHANNEL
  5. STEPS AT 235 DEGREES
  6. CASTING BY ICAST (HOE 280T FRAME & GRATE)

Rim: 368.7' Rim to Invert: 4.41' Slack: 0.92" Sump: 0" Step Position: 235°

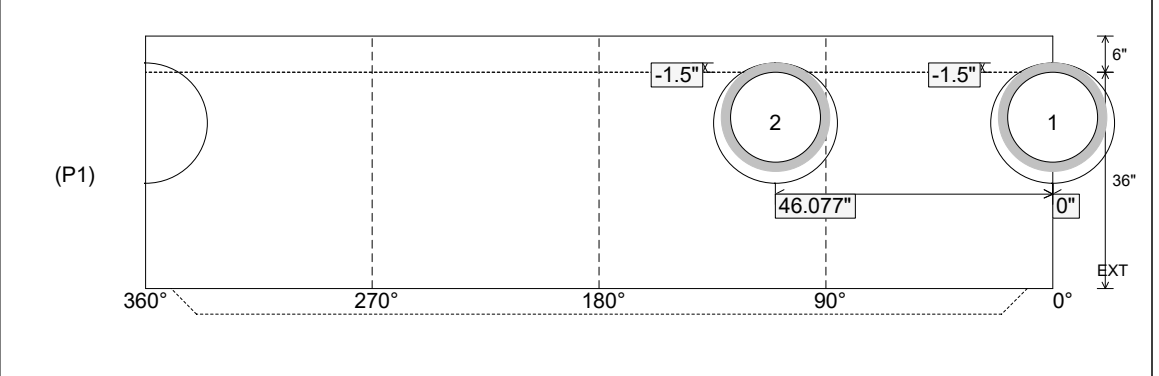
| Position | Elev    | Angle | Ext. (cw) | Pipe         | Pipe OD | Connector | Hole | Horz Size | Up ( ) | Offset |
|----------|---------|-------|-----------|--------------|---------|-----------|------|-----------|--------|--------|
| Invert 1 | 364.29' | 0°    | 0"        | 15" ADS N-12 | 18"     | Hole 20   | 20"  | 20.629"   | -1.5"  | 0"     |
| Invert 2 | 364.29' | 110°  | 55.676"   | 15" ADS N-12 | 18"     | Hole 20   | 20"  | 20.629"   | -1.5"  | 0"     |
| Invert 3 |         |       |           |              |         |           |      |           |        |        |
| Invert 4 |         |       |           |              |         |           |      |           |        |        |
| Invert 5 |         |       |           |              |         |           |      |           |        |        |
| Invert 6 |         |       |           |              |         |           |      |           |        |        |
| Invert 7 |         |       |           |              |         |           |      |           |        |        |
| Invert 8 |         |       |           |              |         |           |      |           |        |        |

RIGHT-SIDE UP VIEW (int. dimensions)

UPSIDE-DOWN VIEW (int. dimensions)



INSIDE WALL DIMENSIONS



|                                  |                                 |  |  |  |
|----------------------------------|---------------------------------|--|--|--|
| Coating (Int):<br>Coating (Ext): | Seam Up: Tongue<br>Seam Dn: n/a | Wall Thickness: 5"<br>Floor Height: 6" | Height (Int): 36"<br>Height (Ext): 42" | Weight (Net): 3575 lb<br>Volume (Net): 0.91cu.yd |
|----------------------------------|---------------------------------|--|--|--|