

Job Name: 25-3594 - Chipotle Mexican Grill
Job Location: Paducah, KY 42001
Contractor: H&T Development

PC: T. Lewis
 TECH: J. Horsley - F
 Plant: 100



Structure ID: DBI 1

Spec: Storm
 Type: STM.MH (Recessed pipe)
 Size: 48"

Rim: 369.1'
 Invert: 363.76'
 Rim to Invert: 5.34'

Sump: 0"
 Floor (Top): 363.76'
 Floor Height: 6"

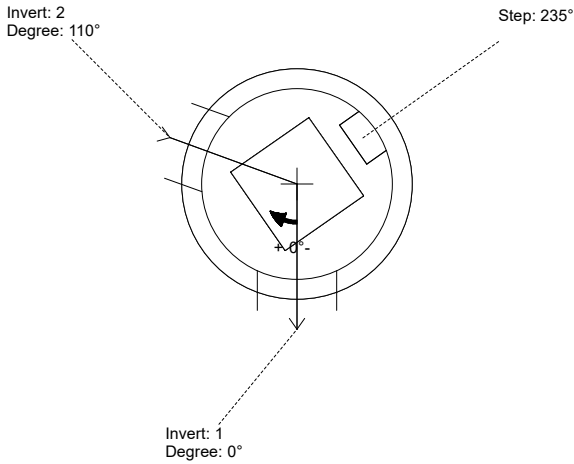
Floor (Bot): 363.26'
 Overall Height: 5.833'
 Slack: 0.08"

Structure Notes:

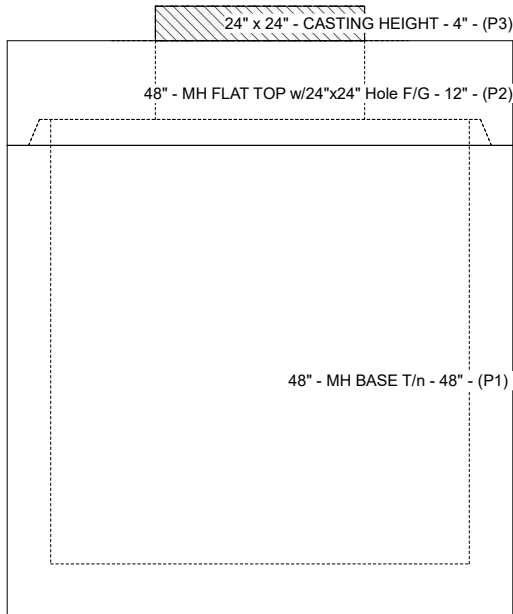
1. PER ASTM C-478 SPECIFICATIONS
2. CONCRETE: 4,000 PSI AT 28 DAYS
3. REINFORCEMENT:
 - FLAT LID: #4 BAR @ 10" C.C. E.W. (GRADE 60)
 - BASE: PER ASTM A615
4. NO INVERT CHANNEL
5. STEPS AT 235 DEGREES
6. CASTING BY ICAST (HOE 280T FRAME & GRATE)

STRUCTURE SUMMARY:

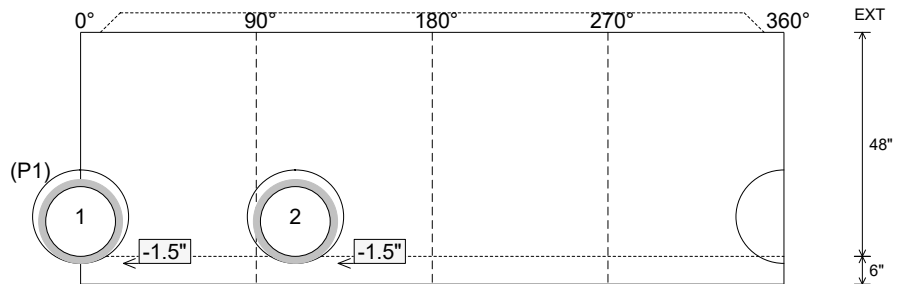
P3) 24" x 24" - CASTING HEIGHT - 4"	0 lb
P2) 48" - MH FLAT TOP w/24"x24" Hole F/G - 12"	1500 lb
P1) 48" - MH BASE T/n - 48"	4413 lb
1) CASTING - HOE 280T F/G	182 lb
1) 48" - Conseal CS-102 1.00"	0 lb
1) 24" x 24" - Conseal CS-102 1.00"	0 lb
2) Hole - 20	0 lb
4) MH Step ML-10-TDS-NCR - 10"	0 lb
Structure Total:	6095 lb



Position	Elev	Angle	Pipe	Pipe OD	Hole	Connector	Up ()	Ref
Rim	369.1'							
Reducer								
Invert 1	363.76'	0°	15" ADS N-12	18"	20"	Hole 20	-1.5"	P1
Invert 2	363.76'	110°	15" ADS N-12	18"	20"	Hole 20	-1.5"	P1
Invert 3								
Invert 4								
Invert 5								
Invert 6								
Invert 7								
Invert 8								



Cast (Int. Dim.) - Interior Dimensions



Submittal Drawing
 12/23/2025 8:41:22 AM

SUBMITTAL
 APPROVED BY: