

Job Name: 25-3594 - Chipotle Mexican Grill  
 Job Location: Paducah, KY 42001  
 Contractor: H&T Development

Plant: 100

12/23/2025 8:56:18 AM

Tech: J. Horsley - F

PC: T. Lewis



**Structure ID: DBI 1**

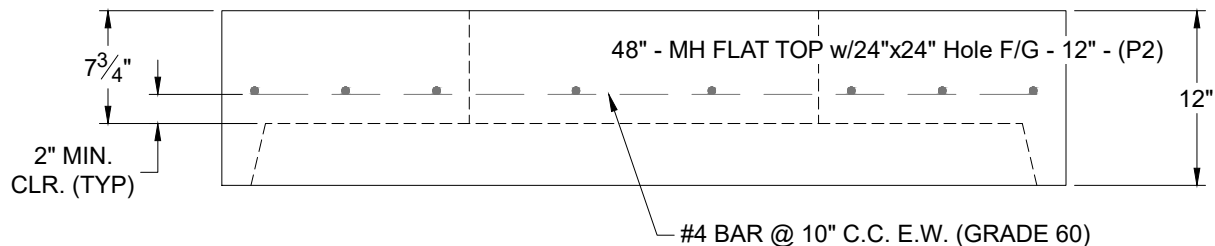
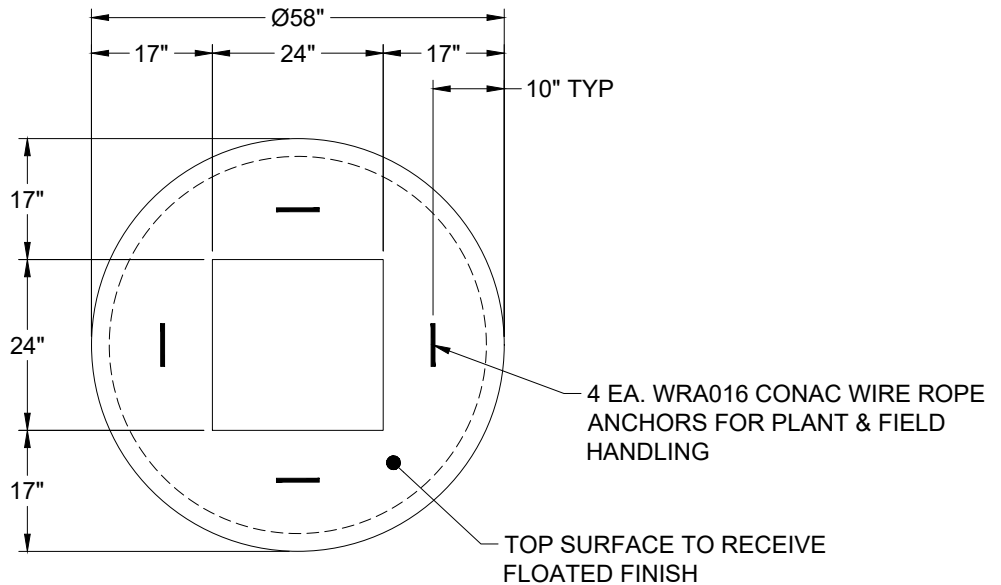
**P2 MH048LD12-24SQ**

**MH FLAT TOP w/24"x24" Hole F/G**

- P3) 24" x 24" - CASTING HEIGHT - 4"
- P2) 48" - MH FLAT TOP w/24"x24" Hole F/G - 12"
- P1) 48" - MH BASE T/n - 48"
- 1) CASTING - HOE 280T F/G
- 1) 48" - Conseal CS-102 1.00"
- 1) 24" x 24" - Conseal CS-102 1.00"
- 2) Hole - 20
- 4) MH Step ML-10-TDS-NCR - 10"

	0 lb
	1500 lb
	4413 lb
	182 lb
	0 lb
	0 lb
	0 lb
	0 lb
Structure Total:	6095 lb

- Structure Notes:
1. PER ASTM C-478 SPECIFICATIONS
  2. CONCRETE: 4,000 PSI AT 28 DAYS
  3. REINFORCEMENT: #4 BAR @ 10" C.C. E.W. (GRADE 60) - 2" MIN. REBAR CLEARANCE (TYP)
  4. NO INVERT CHANNEL
  5. STEPS AT 235 DEGREES
  6. CASTING BY ICAST (HOE 280T FRAME & GRATE)
  7. LIFTERS: 4 EA. WRA016 CONAC WIRE ROPE ANCHORS FOR PLANT & FIELD HANDLING



Coating (Int): Coating (Ext):	Seam Up: Flat Seam Dn: Groove	Wall Thickness: 5"	Height (Ext): 12"	Weight (Net): 1500 lb Volume (Net): 0.37cu.yd
----------------------------------	----------------------------------	--------------------	-------------------	--