

Job Name: 25-3594 - Chipotle Mexican Grill
 Job Location: Paducah, KY 42001
 Contractor: H&T Development

Plant: 100

12/23/2025 8:50:24 AM

Tech: J. Horsley - F

PC: T. Lewis



Structure ID: DBI 1

P1 MH048BA48

MH BASE T/n

- P3) 24" x 24" - CASTING HEIGHT - 4"
- P2) 48" - MH FLAT TOP w/24"x24" Hole F/G - 12"
- P1) 48" - MH BASE T/n - 48"
- 1) CASTING - HOE 280T F/G
- 1) 48" - Conseal CS-102 1.00"
- 1) 24" x 24" - Conseal CS-102 1.00"
- 2) Hole - 20
- 4) MH Step ML-10-TDS-NCR - 10"

- 0 lb
- 1500 lb
- 4413 lb
- 182 lb
- 0 lb
- 0 lb
- 0 lb
- 0 lb
-
- 0 lb

Structure Total: 6095 lb

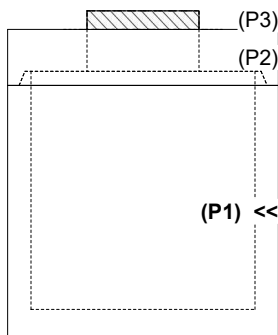
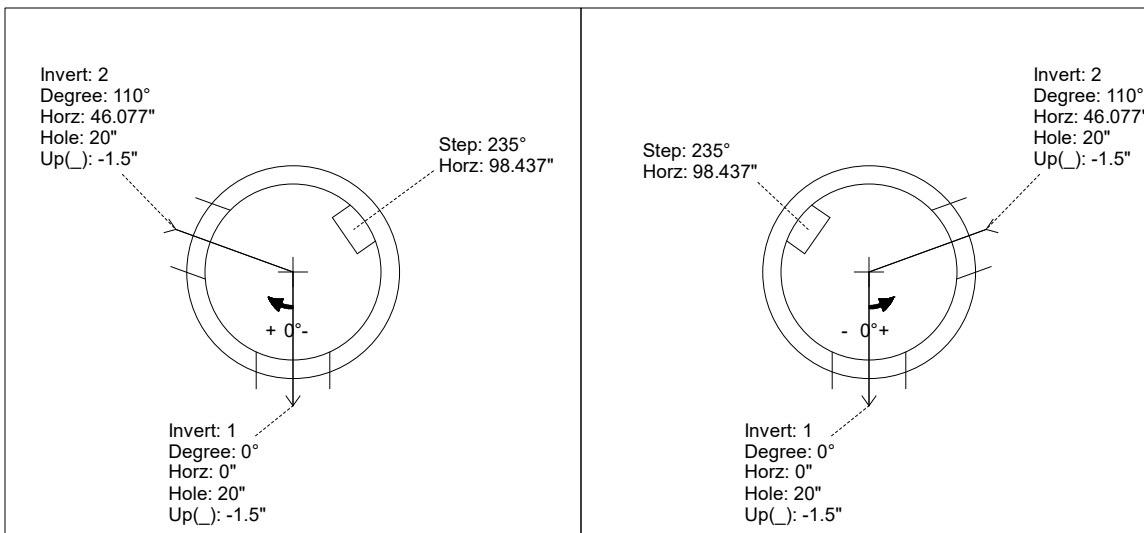
- Structure Notes:**
1. PER ASTM C-478 SPECIFICATIONS
 2. CONCRETE: 4,000 PSI AT 28 DAYS
 3. REINFORCEMENT: PER ASTM A615
 4. NO INVERT CHANNEL
 5. STEPS AT 235 DEGREES
 6. CASTING BY ICAST (HOE 280T FRAME & GRATE)

Rim: 369.1' Rim to Invert: 5.34' Slack: 0.08" Sump: 0" Step Position: 235°

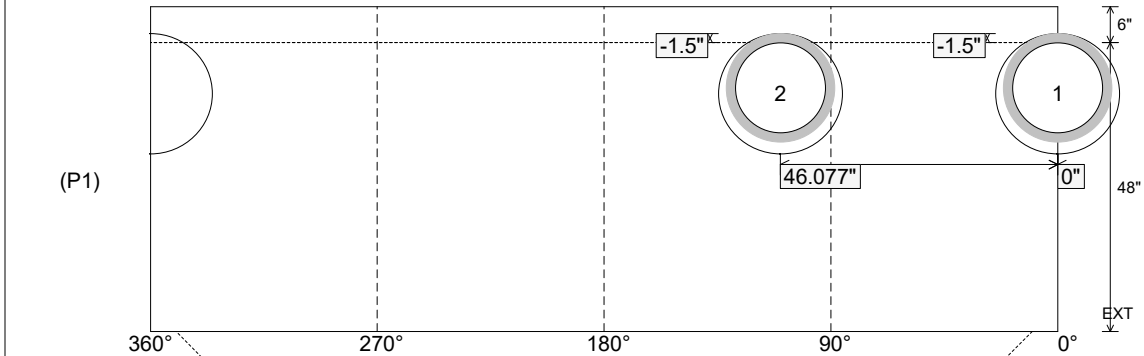
Position	Elev	Angle	Ext. (cw)	Pipe	Pipe OD	Connector	Hole	Horz Size	Up ()	Offset
Invert 1	363.76'	0°	0"	15" ADS N-12	18"	Hole 20	20"	20.629"	-1.5"	0"
Invert 2	363.76'	110°	55.676"	15" ADS N-12	18"	Hole 20	20"	20.629"	-1.5"	0"
Invert 3										
Invert 4										
Invert 5										
Invert 6										
Invert 7										
Invert 8										

RIGHT-SIDE UP VIEW (int. dimensions)

UPSIDE-DOWN VIEW (int. dimensions)



INSIDE WALL DIMENSIONS



Coating (Int):
 Coating (Ext):

Seam Up: Tongue
 Seam Dn: n/a

Wall Thickness: 5"
 Floor Height: 6"

Height (Int): 48"
 Height (Ext): 54"

Weight (Net): 4413 lb
 Volume (Net): 1.13cu.yd