

Structure ID: MH-2

P2 MH048RS48CDARED

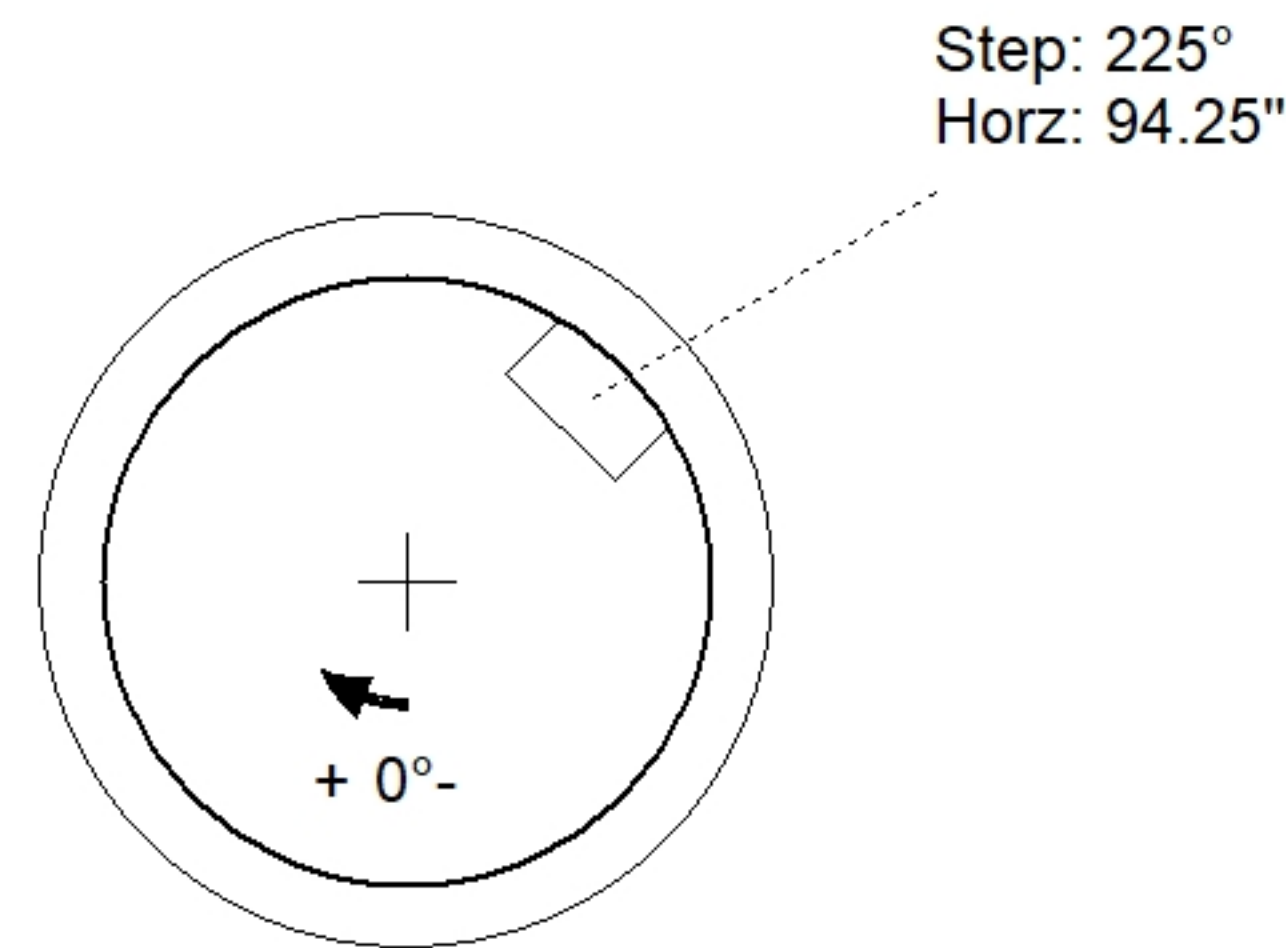
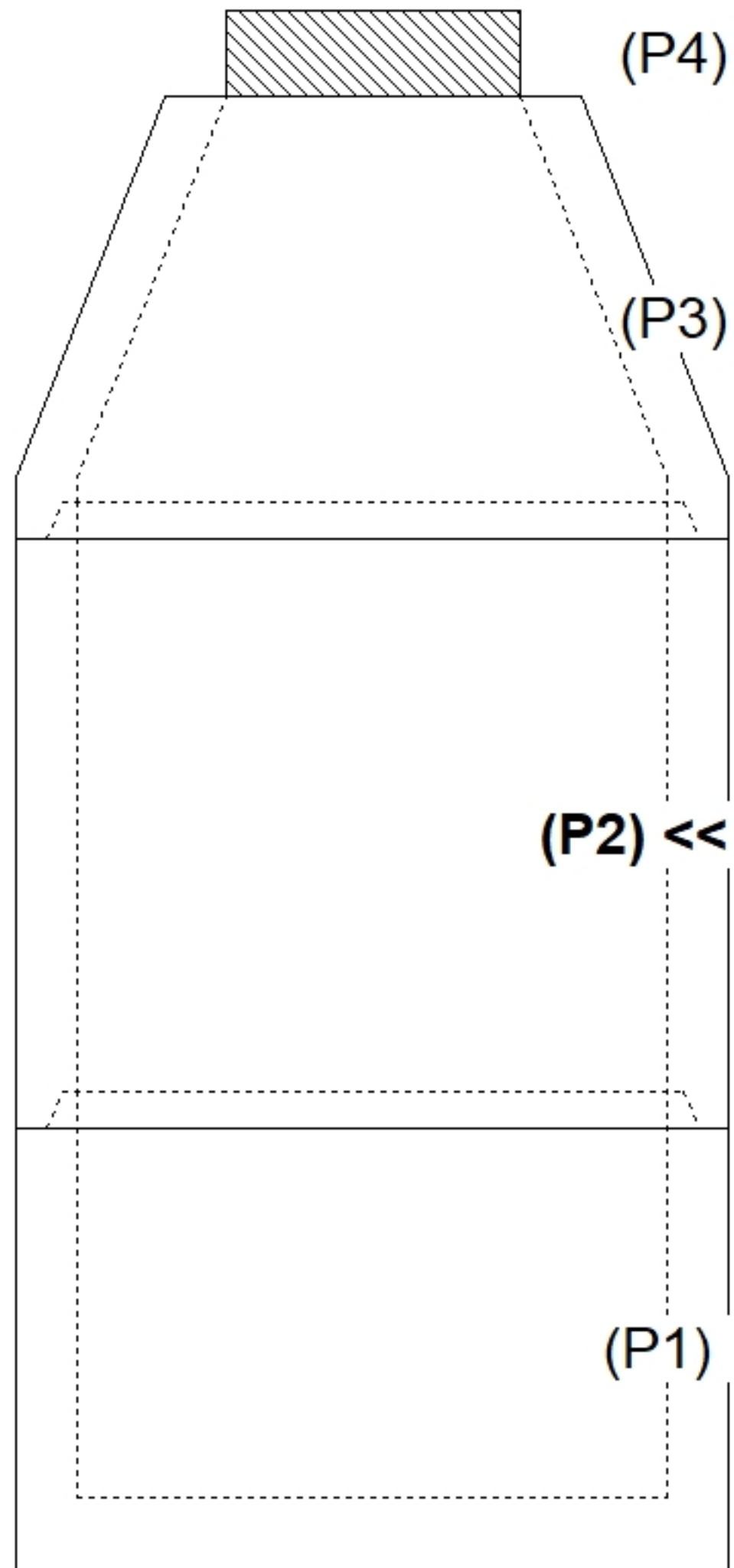
MH RISER w/ConBlock-CDA Red T/G

P4) 24" - CASTING HEIGHT - 7" P3) 48" - CON CONE w/24" HOLE, w/ConBlock-CDA Red F/G - 36" P2) 48" - MH RISER w/ConBlock-CDA Red T/G - 48" P1) 48" - MH BASE w/ConBlock-CDA Red T/n - 30" 1) ADMIXTURE CONBLOCK CDA RED 1) JOINT WRAP - 0.065"x6"x50' CONSEAL CS212 1) JOINT WRAP PRIMER - CONSEAL CS-75 (1 gal.) 1) 48" - MH INVERT CHANNEL w/ConBlock-CDA Red - FULL HEIGHT 2) 48" - Conseal CS-102 1.00" (Double) 2) PSX - 12-08 NYLO 9) MH Step ML-10-TDS-NCR - 10"	0 lb 2251 lb 3353 lb 3330 lb 0 lb 0 lb 0 lb 0 lb 1440 lb 0 lb 16 lb 0 lb ----- Structure Total: 10391 lb	Structure Notes: PLAN LABEL: MANHOLE #2 / MANHOLE TWO STATION: 0+76 1. PER METRO NASHVILLE & ASTM C-478 SPECS 2. CONCRETE: 4,500 PSI AT 28 DAYS 3. REINFORCEMENT: PER ASTM A615 4. CONBLOCK CDA RED ADMIXTURE REQUIRED 5. INVERT CHANNEL REQUIRED 6. STEPS AT 225 DEGREES 7. 7" CASTING SUPPLIED BY OTHERS
--	---	--

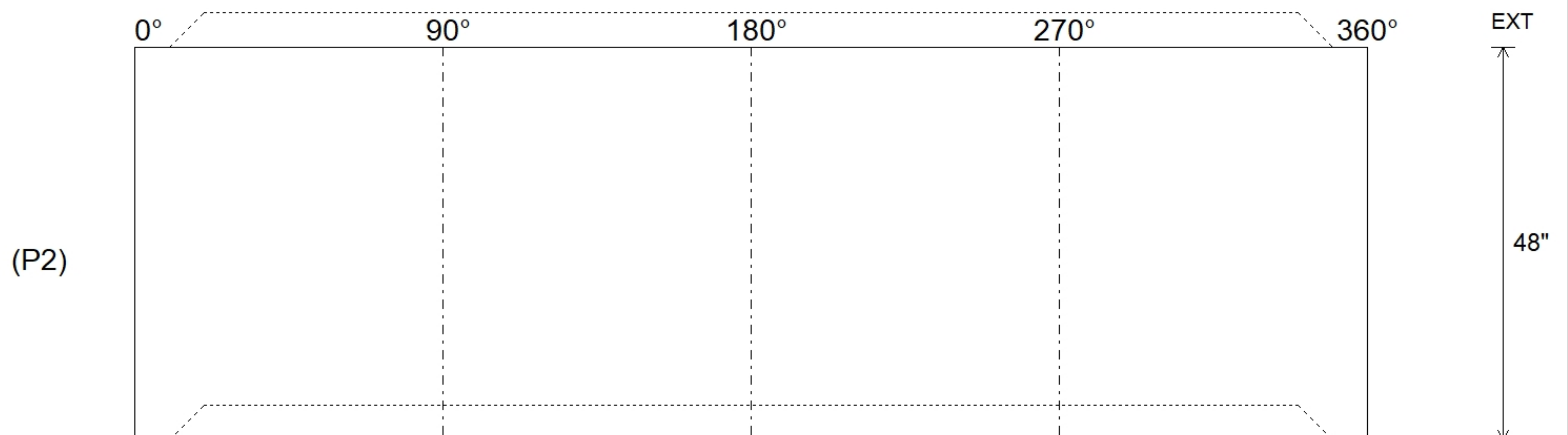
Rim: 550' Rim to Invert: 9.99' Slack: 0.88" Sump: 2" Step Position: 225

Position	Elev	Angle	Ext. (cw)	Pipe	Pipe OD	Connector	Hole	Horz Size	Up (L)	Offset
Invert 1										
Invert 2										
Invert 3										
Invert 4										
Invert 5										
Invert 6										
Invert 7										
Invert 8										

RIGHT-SIDE UP VIEW (int. dimensions)



INSIDE WALL DIMENSIONS



Coating (Int):	Seam Up: Tongue Seam Dn: Groove	Wall Thickness: 5" Floor Height: 0"	Height (Int): 48" Height (Ext): 48"
Coating (Ext):			Weight (Net): 3353 lb Volume (Net): 0.86cu.yd