

Job Name: 25-3590 - 3911 Cross Creek Rd
Job Location: Nashville, TN
Contractor: Hayes Pipe Supply

PC: A. Chambers
 TECH: K. Cardwell
 Plant: Beaver Dam, KY



Structure ID: MH-1

Spec: Sanitary
 Type: SAN.MH w/ConBlock-CDA Red
 Size: 48"

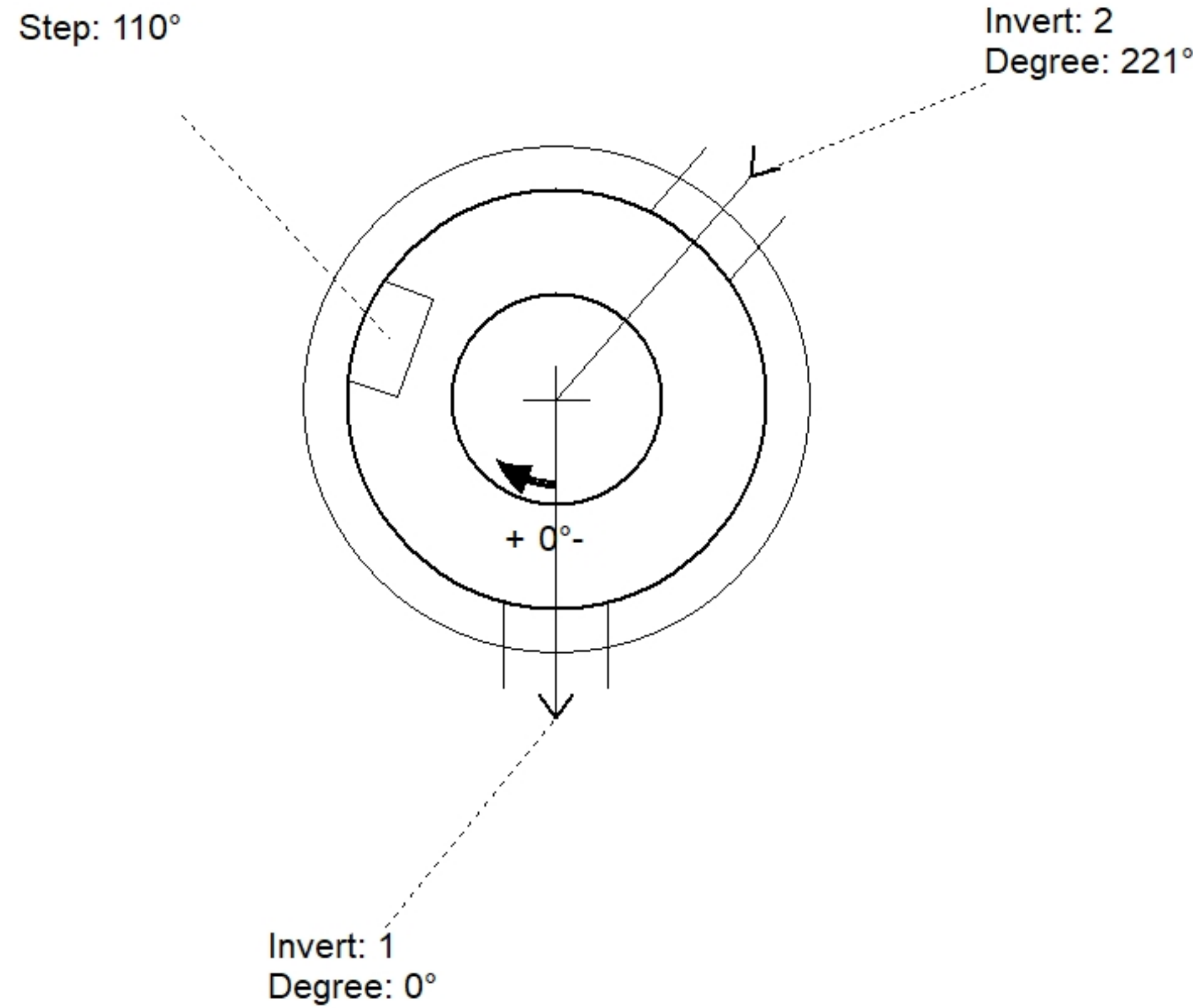
Rim: 545.75' Sump: 2" Floor (Bot): 537.483'
 Invert: 538.15' Floor (Top): 537.983' Overall Height: 8.083'
 Rim to Invert: 7.6' Floor Height: 6" Slack: 2.2"

Structure Notes:

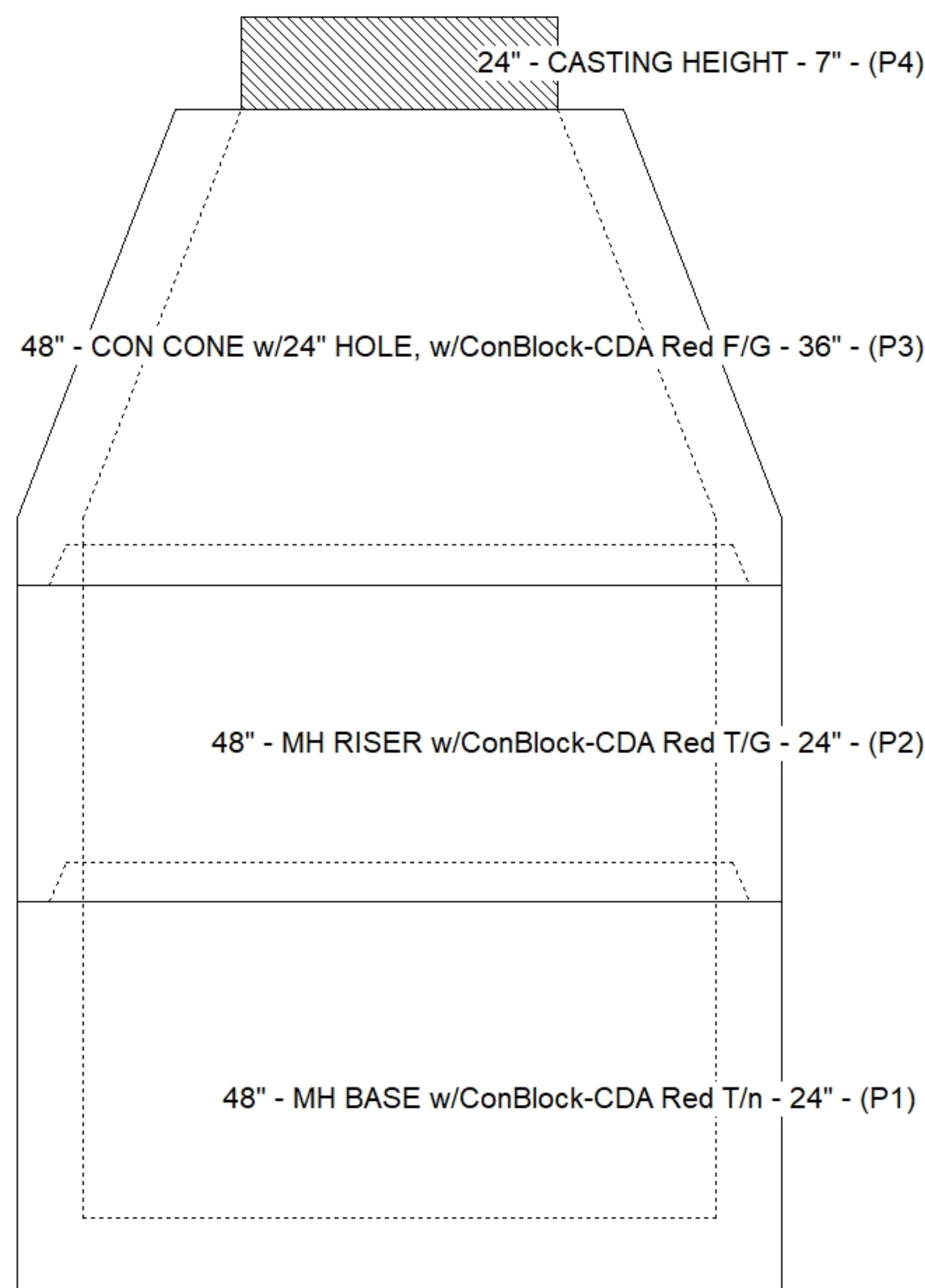
- PLAN LABEL: MANHOLE #1 / MANHOLE ONE
- STATION: 0+00
- 1. PER METRO NASHVILLE & ASTM C-478 SPECS
- 2. CONCRETE: 4,500 PSI AT 28 DAYS
- 3. REINFORCEMENT: PER ASTM A615
- 4. CONBLOCK CDA RED ADMIXTURE REQUIRED
- 5. INVERT CHANNEL REQUIRED
- 6. STEPS AT 110 DEGREES
- 7. 7" CASTING SUPPLIED BY OTHERS

STRUCTURE SUMMARY:

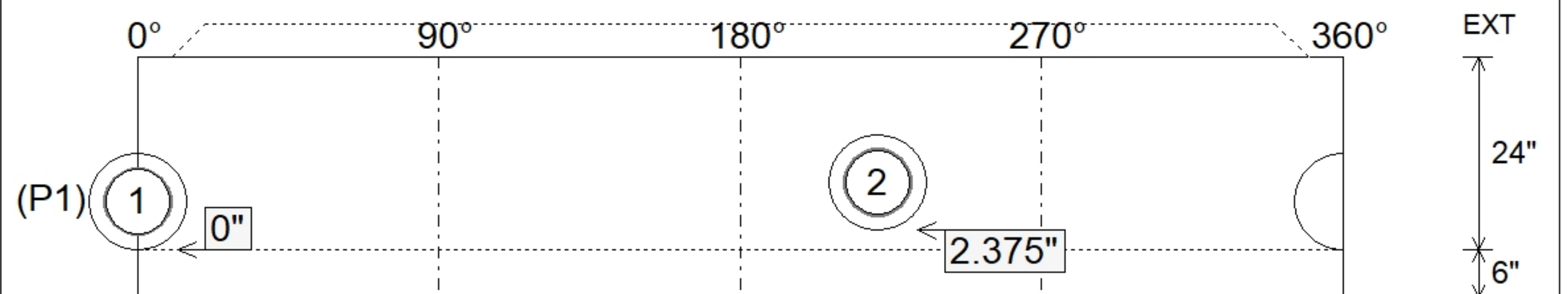
P4) 24" - CASTING HEIGHT - 7"	0 lb
P3) 48" - CON CONE w/24" HOLE, w/ConBlock-CDA Red F/G - 36"	2251 lb
P2) 48" - MH RISER w/ConBlock-CDA Red T/G - 24"	1677 lb
P1) 48" - MH BASE w/ConBlock-CDA Red T/n - 24"	2911 lb
1) ADMIXTURE CONBLOCK CDA RED	0 lb
1) JOINT WRAP - 0.065"x6"x50' CONSEAL CS212	0 lb
1) JOINT WRAP PRIMER - CONSEAL CS-75 (1 gal.)	0 lb
1) 48" - MH INVERT CHANNEL w/ConBlock-CDA Red - FULL HEIGHT	1440 lb
2) 48" - Conseal CS-102 1.00" (Double)	0 lb
2) PSX - 12-08 NYLO	16 lb
7) MH Step ML-10-TDS-NCR - 10"	0 lb
Structure Total:	8295 lb



Position	Elev	Angle	Pipe	Pipe OD	Hole	Connector	Up (")	Ref
Rim	545.75'							
Reducer								
Invert 1	538.15'	0°	8" PVC SDR35	8.5"	12"	PSX 12-08 NYLO	0"	P1
Invert 2	538.35'	221°	8" PVC SDR35	8.5"	12"	PSX 12-08 NYLO	2.375"	P1
Invert 3								
Invert 4								
Invert 5								
Invert 6								
Invert 7								
Invert 8								



Cast (Int. Dim.) - Interior Dimensions



Submittal Drawing
 10/15/2025 2:11:18 PM

SUBMITTAL
 APPROVED BY: