

Job Name: 25-3590 - 3911 Cross Creek Rd	Plant: Beaver Dam, KY	Tech: K. Cardwell	
Job Location: Nashville, TN Contractor: Hayes Pipe Supply	10/15/2025 2:11:51 PM	PC: A. Chambers	

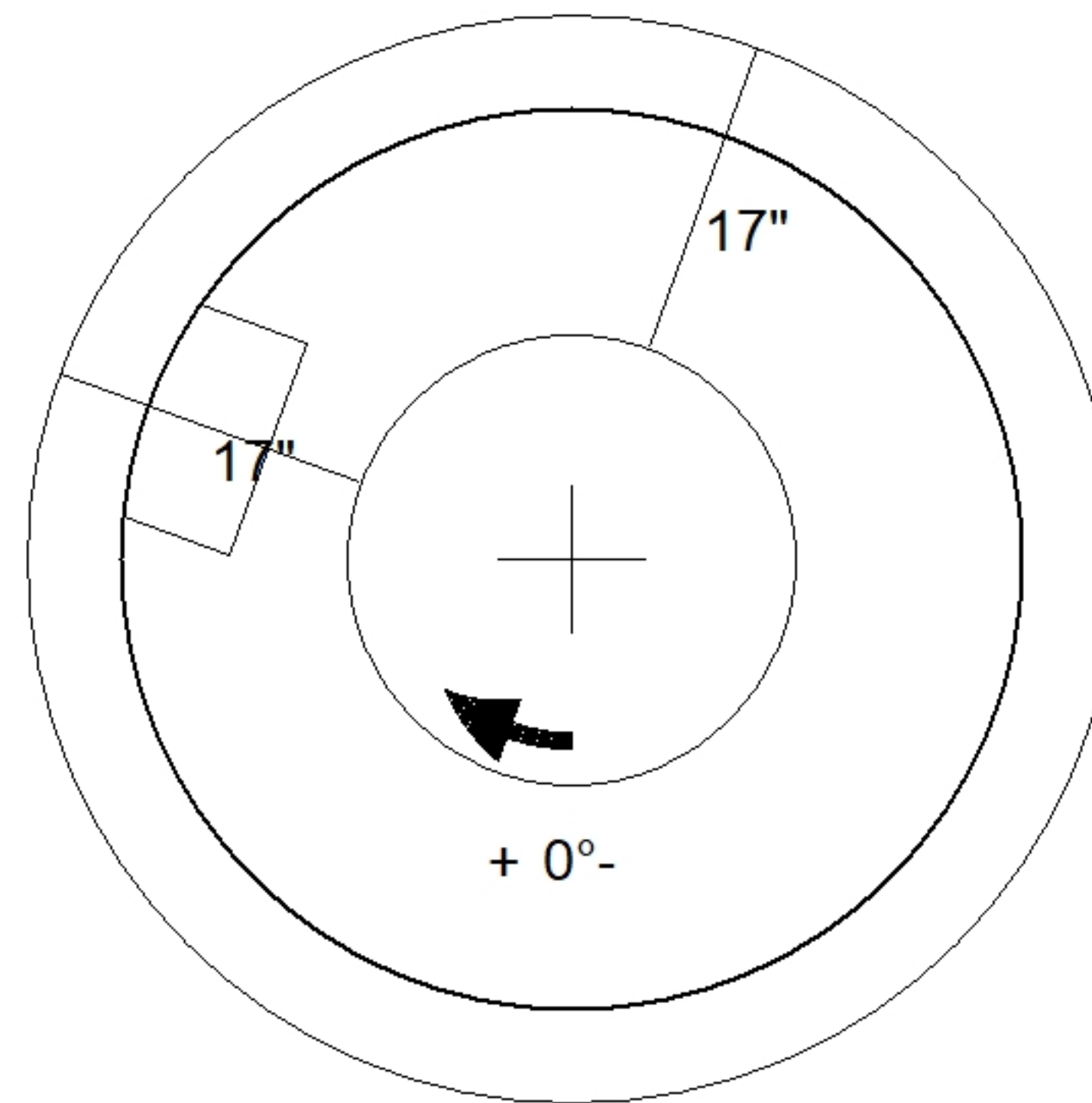
**Structure ID: MH-1**

**P3 MH048CCN36CDARED**

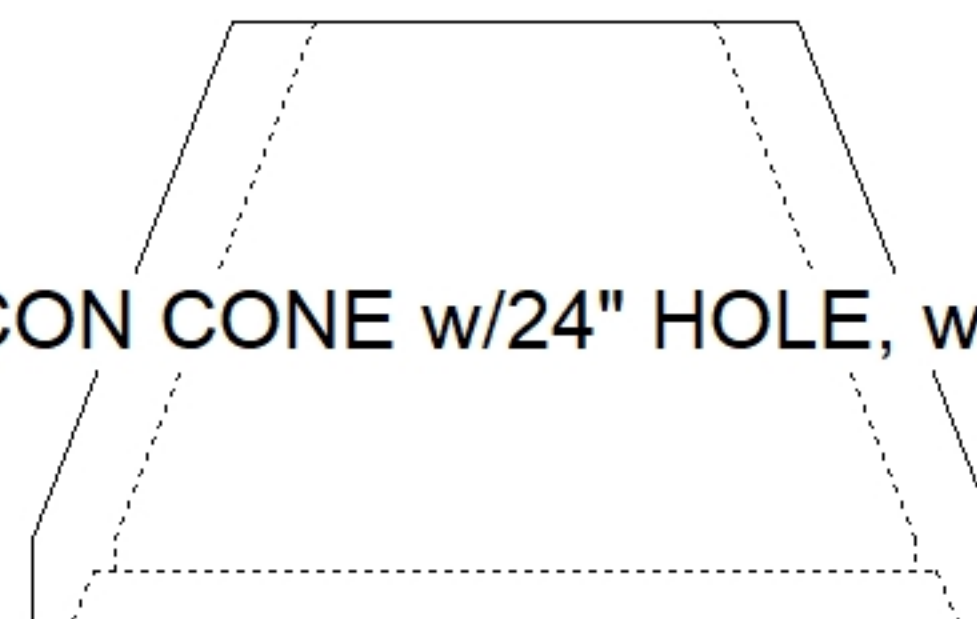
**CON CONE w/24" HOLE, w/ConBlock-CDA Red F/G**

P4) 24" - CASTING HEIGHT - 7"	0 lb
P3) 48" - CON CONE w/24" HOLE, w/ConBlock-CDA Red F/G - 36"	2251 lb
P2) 48" - MH RISER w/ConBlock-CDA Red T/G - 24"	1677 lb
P1) 48" - MH BASE w/ConBlock-CDA Red T/n - 24"	2911 lb
1) ADMIXTURE CONBLOCK CDA RED	0 lb
1) JOINT WRAP - 0.065"x6"x50' CONSEAL CS212	0 lb
1) JOINT WRAP PRIMER - CONSEAL CS-75 (1 gal.)	0 lb
1) 48" - MH INVERT CHANNEL w/ConBlock-CDA Red - FULL HEIGHT	1440 lb
2) 48" - Conseal CS-102 1.00" (Double)	0 lb
2) PSX - 12-08 NYLO	16 lb
7) MH Step ML-10-TDS-NCR - 10"	0 lb
Structure Total:	8295 lb

Structure Notes:  
 PLAN LABEL: MANHOLE #1 / MANHOLE ONE  
 STATION: 0+00  
 1. PER METRO NASHVILLE & ASTM C-478 SPECS  
 2. CONCRETE: 4,500 PSI AT 28 DAYS  
 3. REINFORCEMENT: PER ASTM A615  
 4. CONBLOCK CDA RED ADMIXTURE REQUIRED  
 5. INVERT CHANNEL REQUIRED  
 6. STEPS AT 110 DEGREES  
 7. 7" CASTING SUPPLIED BY OTHERS



48" - CON CONE w/24" HOLE, w/ConBlock-CDA Red F/G - 36" - (P3)



Coating (Int):	Seam Up: Flat	Wall Thickness: 5"	Height (Ext): 36"	Weight (Net): 2251 lb
Coating (Ext):	Seam Dn: Groove			Volume (Net): 0.57cu.yd