

**Job Name: 25-3579 - Lebanon Rd Clarks Run Trunk Sewer Ph 2**  
**Job Location: Danville, KY**  
**Contractor: Hubert Excavating & Contracting**

PC: C. Goff  
 TECH: J. Horsley  
 Plant: 100



Structure ID: **MH A6**

Spec: Sanitary  
 Type: SAN.MH Transition w/Coating  
 Size: 60"

Rim: 902.84'  
 Invert: 887.525'  
 Rim to Invert: 15.315'

Sump: 2.215"  
 Floor (Top): 887.34'  
 Floor Height: 8"

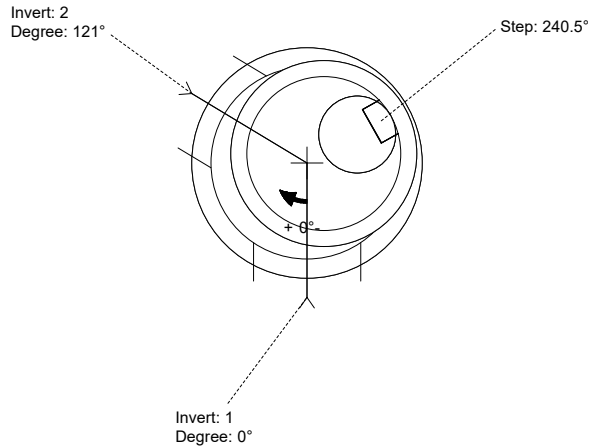
Floor (Bot): 886.674'  
 Overall Height: 16'  
 Slack: 1.995"

**Structure Notes:**

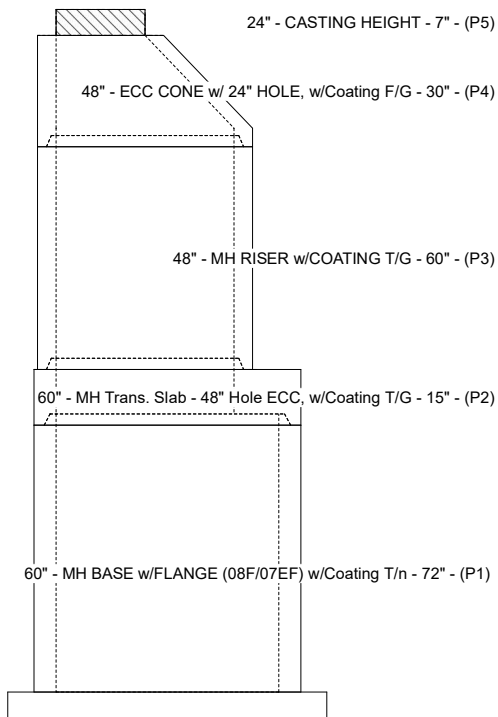
1. PER ASTM C-478 SPECIFICATIONS
2. CONCRETE: 4,000 PSI AT 28 DAYS
3. REINFORCEMENT:
  - CONE, RISER, & BASE: PER ASTM A615
  - TRANSITION SLAB TOP MAT: #4 BAR @ 18" C.C. E.W. (GRADE 60)
  - TRANSITION SLAB BOTTOM MAT: #4 BAR @ 9" C.C. E.W. (GRADE 60)
4. INVERT CHANNEL REQUIRED
5. CARBOLINE 300M EXTERIOR COATING REQUIRED
6. STEPS AT 240.5 DEGREES
7. HOE MC-375 FRAME & COVER "SANITARY" SUPPLIED BY OTHERS

**STRUCTURE SUMMARY:**

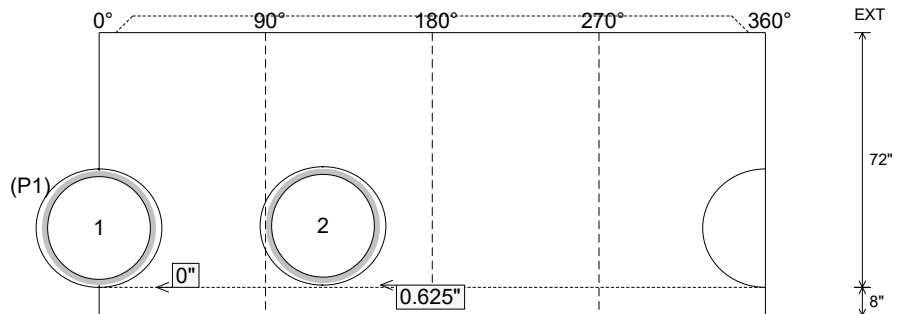
P5)	24" - CASTING HEIGHT - 7"	0 lb
P4)	48" - ECC CONE w/ 24" HOLE, w/Coating F/G - 30"	1961 lb
P3)	48" - MH RISER w/COATING T/G - 60"	4192 lb
P2)	60" - MH Trans. Slab - 48" Hole ECC, w/Coating T/G - 15"	1928 lb
P1)	60" - MH BASE w/FLANGE (08F/07EF) w/Coating T/n - 72"	10483 lb
1)	60" - MH INVERT CHANNEL - FULL HEIGHT	2692 lb
1)	JOINT WRAP - 12" WD x 060" MAC WRAP	0 lb
1)	SPECIAL EXTERNAL COATING - Carboline 300M	0 lb
1)	SECONDARY POUR - Extended Flange	0 lb
2)	JOINT WRAP - 12" WD x 048" MAC WRAP	0 lb
1)	60" - Conseal CS-102 1.00" (Double)	0 lb
2)	48" - Conseal CS-102 1.00" (Double)	0 lb
2)	A-Lok - 1040	2 lb
14)	MH Step ML-10-TDS-NCR - 10"	0 lb
	288.29 SqFt) Carboline Bitumastic 300M [EXT]	0 lb
		-----
	Structure Total:	21258 lb



Position	Elev	Angle	Pipe	Pipe OD	Hole	Connector	Up (L)	Ref
Rim	902.84'							
Reducer	893.34'							
Invert 1	887.525'	0°	30" PVC F679 (PS115)	32"	33.5"	A-Lok 1040	0"	P1
Invert 2	887.575'	121°	30" PVC F679 (PS115)	32"	33.5"	A-Lok 1040	0.625"	P1
Invert 3								
Invert 4								
Invert 5								
Invert 6								
Invert 7								
Invert 8								



**Cast (Int. Dim.) - Interior Dimensions**



Submittal Drawing  
 4/1/2026 11:45:59 AM

SUBMITTAL  
 APPROVED BY: