

Structure ID: MH A6

P1 MH060BAEVF

MH BASE w/FLANGE (08F/07EF) w/Coating T/n

P5)	24" - CASTING HEIGHT - 7"	0 lb
P4)	48" - ECC CONE w/ 24" HOLE, w/Coating F/G - 30"	1961 lb
P3)	48" - MH RISER w/COATING T/G - 60"	4192 lb
P2)	60" - MH Trans. Slab - 48" Hole ECC, w/Coating T/G - 15"	1928 lb
P1)	60" - MH BASE w/FLANGE (08F/07EF) w/Coating T/n - 72"	10483 lb
1)	60" - MH INVERT CHANNEL - FULL HEIGHT	2692 lb
1)	JOINT WRAP - 12" WD x 060" MAC WRAP	0 lb
1)	SPECIAL EXTERNAL COATING - Carboline 300M	0 lb
1)	SECONDARY POUR - Extended Flange	0 lb
2)	JOINT WRAP - 12" WD x 048" MAC WRAP	0 lb
1)	60" - Conseal CS-102 1.00" (Double)	0 lb
2)	48" - Conseal CS-102 1.00" (Double)	0 lb
2)	A-Lok - 1040	2 lb
14)	MH Step ML-10-TDS-NCR - 10"	0 lb
	288.29 SqFt) Carboline Bitumastic 300M [EXT]	0 lb
	Structure Total:	21258 lb

Structure Notes:

1. PER ASTM C-478 SPECIFICATIONS
2. CONCRETE: 4,000 PSI AT 28 DAYS
3. REINFORCEMENT: PER ASTM A615
4. INVERT CHANNEL REQUIRED
5. CARBOLINE 300M EXTERIOR COATING REQUIRED
6. STEPS AT 240.5 DEGREES
7. HOE MC-375 FRAME & COVER "SANITARY" SUPPLIED BY OTHERS

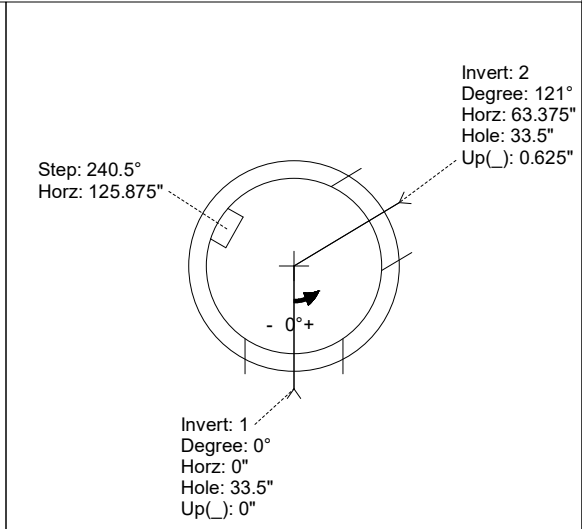
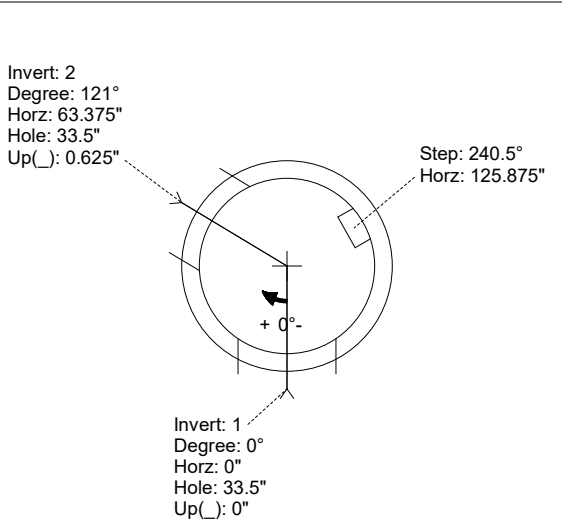
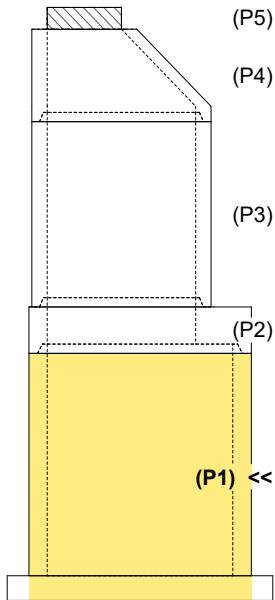
FIRST POUR (BASE): 9,133 LBS
SECOND POUR (FLANGE): 1,350 LBS

Rim: 902.84' Rim to Invert: 15.315' Slack: 1.995" Sump: 2.215" Step Position: 240.5°

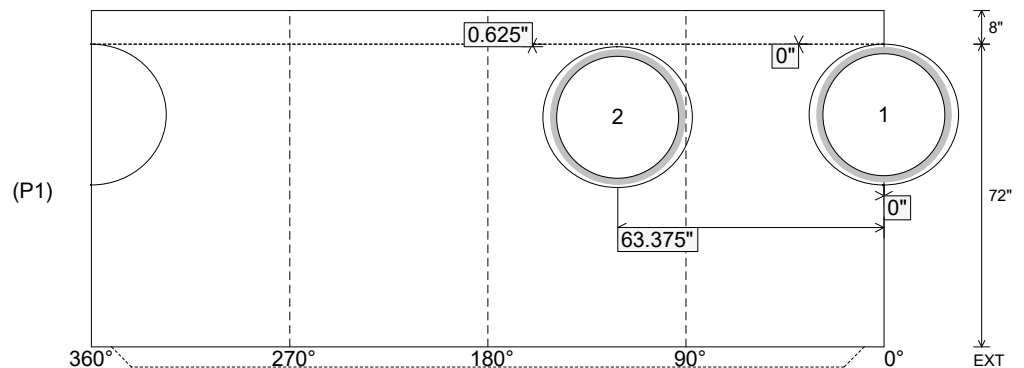
Position	Elev	Angle	Ext. (cw)	Pipe	Pipe OD	Connector	Hole	Horz Size	Up ()	Offset
Invert 1	887.525'	0°	0"	30" PVC F679 (PS115)	32"	A-Lok 1040	33.5"	35.543"	0"	0"
Invert 2	887.575'	121°	76"	30" PVC F679 (PS115)	32"	A-Lok 1040	33.5"	35.543"	0.625"	0"
Invert 3										
Invert 4										
Invert 5										
Invert 6										
Invert 7										
Invert 8										

RIGHT-SIDE UP VIEW (int. dimensions)

UPSIDE-DOWN VIEW (int. dimenions)



INSIDE WALL DIMENSIONS



Coating (Int): Coating (Ext): Carboline Bitumastic 300M	Seam Up: Tongue Seam Dn: n/a	Wall Thickness: 6" Floor Height: 8"	Height (Int): 72" Height (Ext): 80"	Weight (Net): 10483 lb Volume (Net): 2.68cu.yd
--	---------------------------------	--	--	---

Structure ID: MH A6

P1 MH060BAEVF

MH BASE w/FLANGE (08F/07EF) w/Coating T/n

P5)	24" - CASTING HEIGHT - 7"	0 lb	
P4)	48" - ECC CONE w/ 24" HOLE, w/Coating F/G - 30"	1961 lb	
P3)	48" - MH RISER w/COATING T/G - 60"	4192 lb	
P2)	60" - MH Trans. Slab - 48" Hole ECC, w/Coating T/G - 15"	1928 lb	
P1)	60" - MH BASE w/FLANGE (08F/07EF) w/Coating T/n - 72"	10483 lb	
1)	60" - MH INVERT CHANNEL - FULL HEIGHT	2692 lb	
1)	JOINT WRAP - 12" WD x 060" MAC WRAP	0 lb	
1)	SPECIAL EXTERNAL COATING - Carboline 300M	0 lb	
1)	SECONDARY POUR - Extended Flange	0 lb	
2)	JOINT WRAP - 12" WD x 048" MAC WRAP	0 lb	
1)	60" - Conseal CS-102 1.00" (Double)	0 lb	
2)	48" - Conseal CS-102 1.00" (Double)	0 lb	
2)	A-Lok - 1040	2 lb	
14)	MH Step ML-10-TDS-NCR - 10"	0 lb	
	288.29 SqFt) Carboline Bitumastic 300M [EXT]	0 lb	
	Structure Total:	21258 lb	

Structure Notes:

- PER ASTM C-478 SPECIFICATIONS
- CONCRETE: 4,000 PSI AT 28 DAYS
- REINFORCEMENT: DRILL & DOWEL #5 BAR @ 8" C.C. E.W. (GRADE 60) FOR FLANGE POUR TIE-IN - 4" MIN. PENETRATION INTO BASE FLOOR & 2" MIN. REBAR CLEARANCE (TYP)
- INVERT CHANNEL REQUIRED
- CARBOLINE 300M EXTERIOR COATING REQUIRED
- STEPS AT 240.5 DEGREES
- HOE MC-375 FRAME & COVER "SANITARY" SUPPLIED BY OTHERS

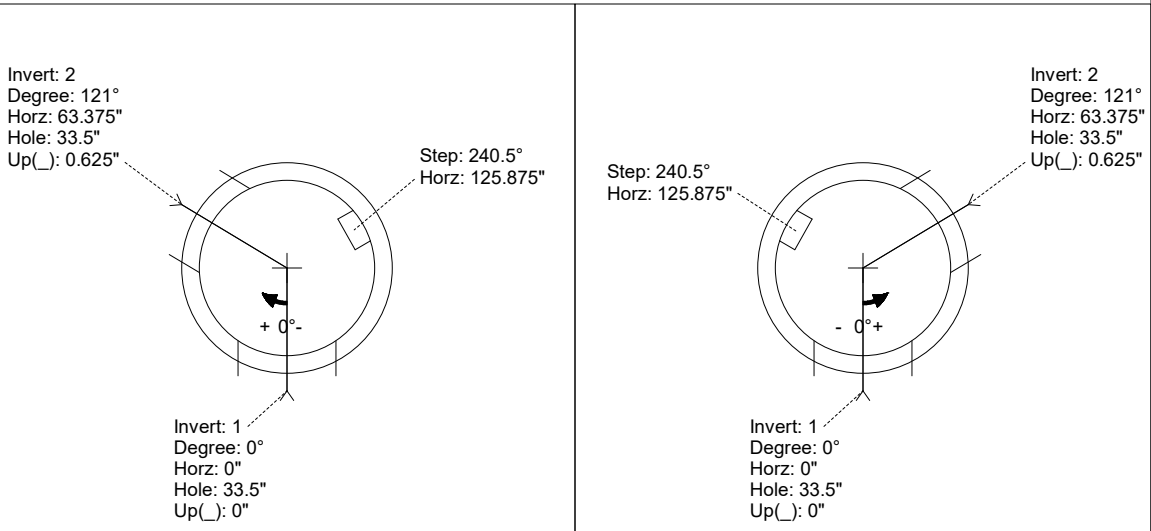
FIRST POUR (BASE): 9,133 LBS
SECOND POUR (FLANGE): 1,350 LBS

Rim: 902.84' Rim to Invert: 15.315' Slack: 1.995" Sump: 2.215" Step Position: 240.5°

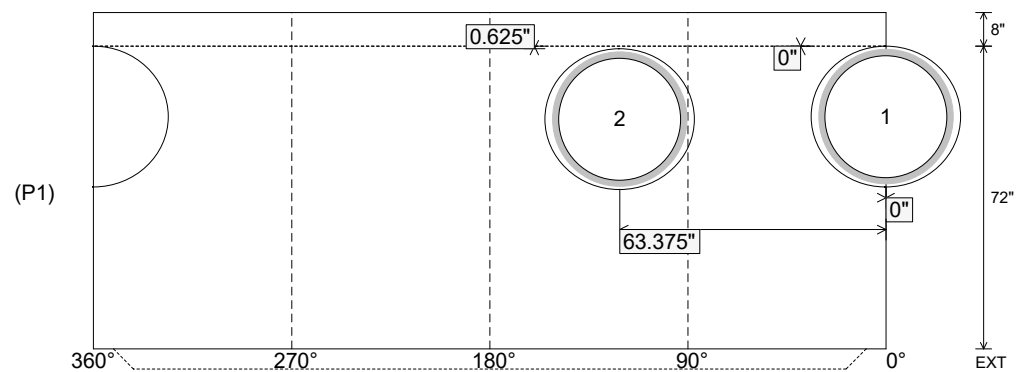
Position	Elev	Angle	Ext. (cw)	Pipe	Pipe OD	Connector	Hole	Horz Size	Up ()	Offset
Invert 1	887.525'	0°	0"	30" PVC F679 (PS115)	32"	A-Lok 1040	33.5"	35.543"	0"	0"
Invert 2	887.575'	121°	76"	30" PVC F679 (PS115)	32"	A-Lok 1040	33.5"	35.543"	0.625"	0"
Invert 3										
Invert 4										
Invert 5										
Invert 6										
Invert 7										
Invert 8										

RIGHT-SIDE UP VIEW (int. dimensions)

UPSIDE-DOWN VIEW (int. dimensions)



INSIDE WALL DIMENSIONS



Coating (Int): Coating (Ext): Carboline Bitumastic 300M	Seam Up: Tongue Seam Dn: n/a	Wall Thickness: 6" Floor Height: 8"	Height (Int): 72" Height (Ext): 80"	Weight (Net): 10483 lb Volume (Net): 2.68cu.yd
--	---------------------------------	--	--	---

(P1) <<
 DRILL & DOWEL #5 BAR @ 8" C.C. E.W. (GRADE 60) FOR FLANGE POUR TIE-IN - MIN. 4" PENETRATION INTO BASE FLOOR & 2" MIN. REBAR CLEARANCE (TYP)

Structure ID: MH A6

P1 MH060BAEVF

MH BASE w/FLANGE (08F/07EF) w/Coating T/n

P5)	24" - CASTING HEIGHT - 7"	0 lb
P4)	48" - ECC CONE w/ 24" HOLE, w/Coating F/G - 30"	1961 lb
P3)	48" - MH RISER w/COATING T/G - 60"	4192 lb
P2)	60" - MH Trans. Slab - 48" Hole ECC, w/Coating T/G - 15"	1928 lb
P1)	60" - MH BASE w/FLANGE (08F/07EF) w/Coating T/n - 72"	10483 lb
1)	60" - MH INVERT CHANNEL - FULL HEIGHT	2692 lb
1)	JOINT WRAP - 12" WD x 060" MAC WRAP	0 lb
1)	SPECIAL EXTERNAL COATING - Carboline 300M	0 lb
1)	SECONDARY POUR - Extended Flange	0 lb
2)	JOINT WRAP - 12" WD x 048" MAC WRAP	0 lb
1)	60" - Conseal CS-102 1.00" (Double)	0 lb
2)	48" - Conseal CS-102 1.00" (Double)	0 lb
2)	A-Lok - 1040	2 lb
14)	MH Step ML-10-TDS-NCR - 10"	0 lb
	288.29 SqFt) Carboline Bitumastic 300M [EXT]	0 lb
	Structure Total:	21258 lb

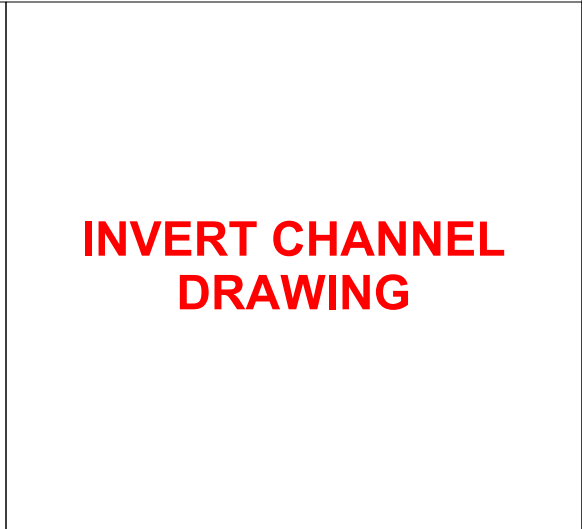
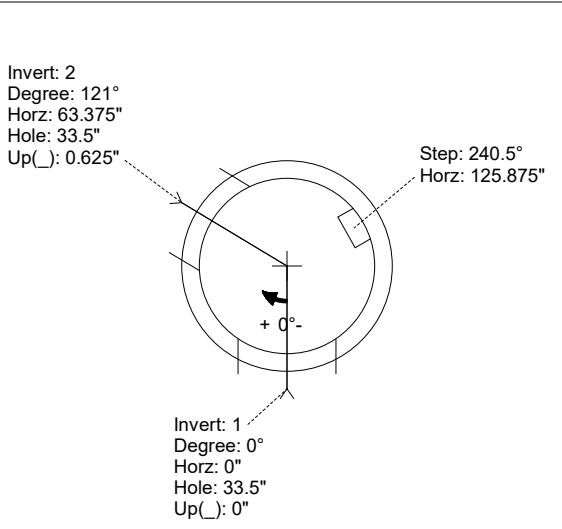
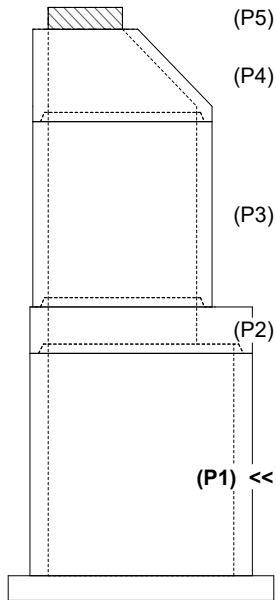
- Structure Notes:**
1. PER ASTM C-478 SPECIFICATIONS
 2. CONCRETE: 4,000 PSI AT 28 DAYS
 3. REINFORCEMENT: PER ASTM A615
 4. INVERT CHANNEL REQUIRED
 5. CARBOLINE 300M EXTERIOR COATING REQUIRED
 6. STEPS AT 240.5 DEGREES
 7. HOE MC-375 FRAME & COVER "SANITARY" SUPPLIED BY OTHERS

Rim: 902.84' Rim to Invert: 15.315' Slack: 1.995" Sump: 2.215" Step Position: 240.5"

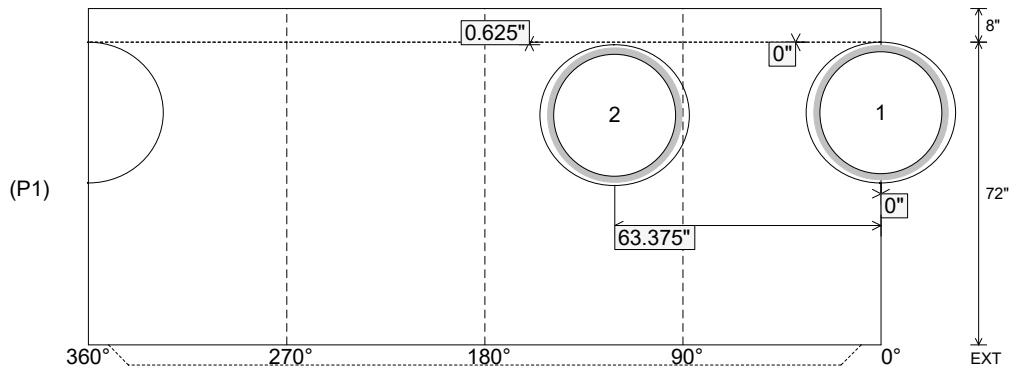
Position	Elev	Angle	Ext. (cw)	Pipe	Pipe OD	Connector	Hole	Horz Size	Up ()	Offset
Invert 1	887.525'	0°	0"	30" PVC F679 (PS115)	32"	A-Lok 1040	33.5"	35.543"	0"	0"
Invert 2	887.575'	121°	76"	30" PVC F679 (PS115)	32"	A-Lok 1040	33.5"	35.543"	0.625"	0"
Invert 3										
Invert 4										
Invert 5										
Invert 6										
Invert 7										
Invert 8										

RIGHT-SIDE UP VIEW (int. dimensions)

UPSIDE-DOWN VIEW (int. dimenions)



INSIDE WALL DIMENSIONS



Coating (Int): Coating (Ext): Carboline Bitumastic 300M	Seam Up: Tongue Seam Dn: n/a	Wall Thickness: 6" Floor Height: 8"	Height (Int): 72" Height (Ext): 80"	Weight (Net): 10483 lb Volume (Net): 2.68cu.yd
--	---------------------------------	--	--	---

Job Number:

25-3579

Job Name:

Lebanon Rd Clarks Run Trunk Sewer
Ph 2

Structure:

MH A6

Note:

This Structure Is To Receive An
External Coating of Carboline 300M
(Supplied By iCast)