

Structure ID: MH A3

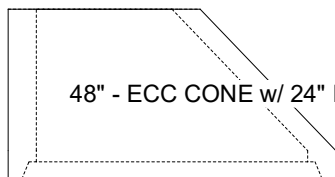
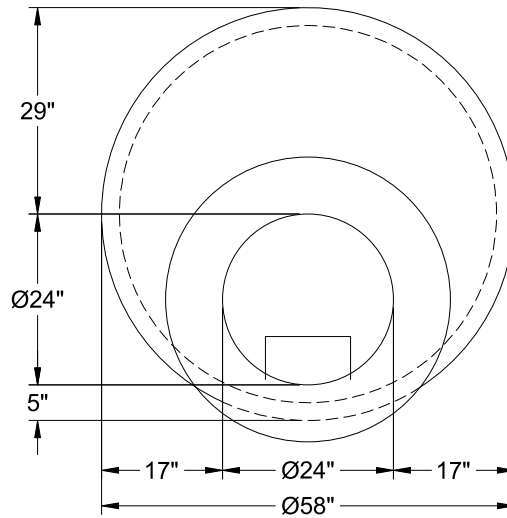
P5 MH048CN30SP

ECC CONE w/ 24" HOLE, w/Coating F/G

P6) 24" - CASTING HEIGHT - 7"	0 lb
P5) 48" - ECC CONE w/ 24" HOLE, w/Coating F/G - 30"	1961 lb
P4) 48" - MH RISER w/COATING T/G - 36"	2515 lb
P3) 48" - MH RISER w/COATING T/G - 48"	3353 lb
P2) 60" - MH Trans. Slab - 48" Hole ECC, w/Coating T/G - 15"	1928 lb
P1) 60" - MH BASE w/FLANGE (08F/07EF) w/Coating T/n - 70"	10274 lb
1) JOINT WRAP - 12" WD x 060" MAC WRAP	0 lb
1) 60" - MH INVERT CHANNEL - FULL HEIGHT	2692 lb
1) SPECIAL EXTERNAL COATING - Carboline 300M	0 lb
3) JOINT WRAP - 12" WD x 048" MAC WRAP	0 lb
1) SECONDARY POUR - Extended Flange	0 lb
1) 60" - Conseal CS-102 1.00" (Double)	0 lb
3) 48" - Conseal CS-102 1.00" (Double)	0 lb
2) A-Lok - 1040	2 lb
16) MH Step ML-10-TDS-NCR - 10"	0 lb
315.52 SqFt) Carboline Bitumastic 300M [EXT]	0 lb
Structure Total:	22726 lb

Structure Notes:

1. PER ASTM C-478 SPECIFICATIONS
2. CONCRETE: 4,000 PSI AT 28 DAYS
3. REINFORCEMENT: PER ASTM A615
4. CARBOLINE 300M EXTERIOR COATING REQUIRED
5. STEPS REQUIRED
6. HOE MC-375 FRAME & COVER "SANITARY" SUPPLIED BY OTHERS



Coating (Int): Coating (Ext): Carboline Bitumastic 300M	Seam Up: Flat Seam Dn: Groove	Wall Thickness: 5"	Height (Ext): 30"	Weight (Net): 1961 lb Volume (Net): 0.5cu.yd
--	----------------------------------	--------------------	-------------------	---

Job Number:

25-3579

Job Name:

Lebanon Rd Clarks Run Trunk Sewer
Ph 2

Structure:

MH A3

Note:

This Structure Is To Receive An
External Coating of Carboline 300M
(Supplied By iCast)