

Job Name: 25-3576 - HWU Wright St. Pump Station
Job Location: Henderson, KY
Contractor: M. Bowling, Inc.

PC: T. Lewis
 TECH: J. Horsley - F
 Plant: 100



Structure ID: **WW**
 Spec: Sanitary
 Type: Wet Well w/ConBlock-CDA Red
 Size: 96"

Rim: 384.54'
 Invert: 377'
 Rim to Invert: 7.54'

Sump: 97.2"
 Floor (Top): 368.9'
 Floor Height: 15"

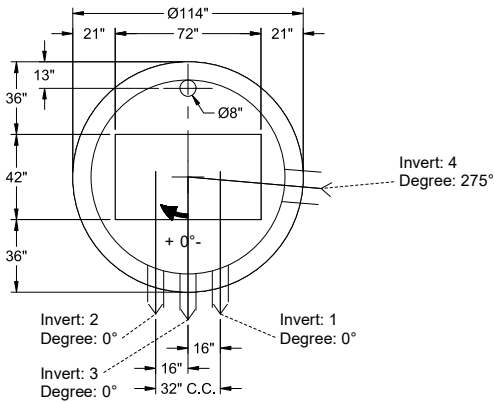
Floor (Bot): 367.65'
 Overall Height: 16.833'
 Slack: 0.68"

Structure Notes:

- PER ASTM C-478 SPECIFICATIONS
- CONCRETE: 4,000 PSI AT 28 DAYS
- REINFORCEMENT:
 - FLAT LID TOP MAT: #4 BAR @ 18" C.C. E.W. (GRADE 60)
 - FLAT LID BOTTOM MAT: #4 BAR @ 9" C.C. E.W. (GRADE 60)
 - BASE & RISER: PER ASTM A615
- NO INVERT CHANNEL
- CONBLOCK CDA RED ADMIXTURE REQUIRED
- NO STEPS
- HALLIDAY W1S 42" X 72" HATCH SUPPLIED BY ICAST - TO BE CAST INTO FLAT LID
- 8" DIA. OPENING REQUIRED IN FLAT LID FOR 6" VENT PIPE

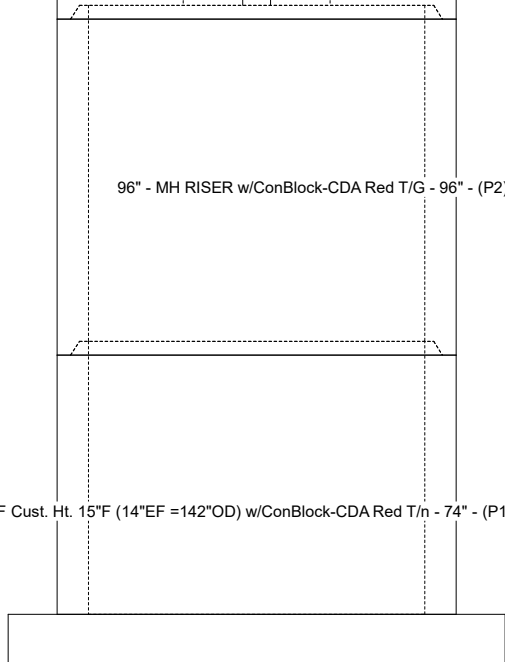
STRUCTURE SUMMARY:

P4) 42" x 72" - HATCH (CAST FLUSH) - 3"	0 lb
P3) 96" - MH FLAT TOP w/42"x72" Hatch w/ConBlock-CDA Red F/G - 17"	9530 lb
P2) 96" - MH RISER w/ConBlock-CDA Red T/G - 96"	23645 lb
P1) 96" - MH BASE EF Cust. Ht. 15" F (14"EF =142"OD) w/ConBlock-CDA Red T/n - 74"	38368 lb
1) ADMIXTURE CONBLOCK CDA RED	0 lb
2) JOINT WRAP - 12" WD x 096" MAC WRAP	0 lb
1) HATCH (Alum.) - HALLIDAY W1S 42"x72"	135 lb
1) This Structure Includes a Cast-in Item - Halliday W1S 42" x 72" Hatch	0 lb
1) SECONDARY POUR - BASE FLOOR	0 lb
1) THIRD POUR - EXTENDED FLANGE	0 lb
2) 96" - Conseal CS-231 1.00" (Double)	0 lb
3) PSX - 8QRS-S NYLO	20 lb
1) PSX - 16L NYLO	8 lb
Structure Total:	71706 lb

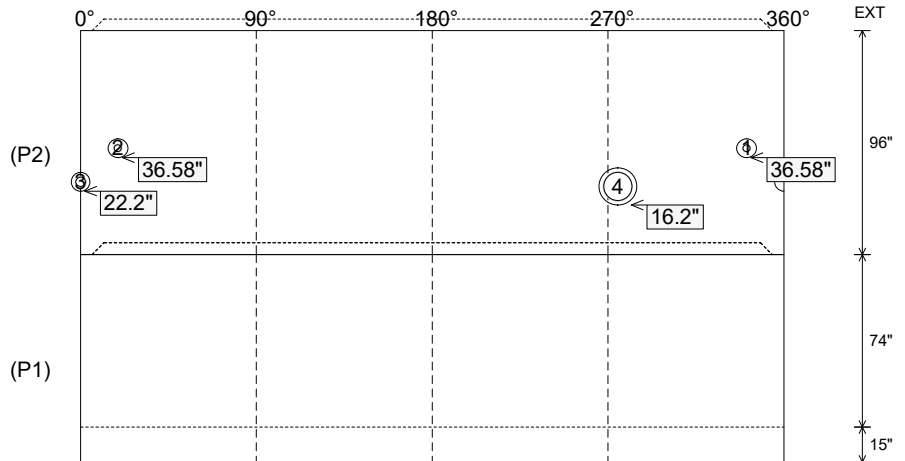


Position	Elev	Angle	Pipe	Pipe OD	Hole	Connector	Up ()	Ref
Rim	384.54'							
Reducer								
Invert 1	378.74'	0°	3" DI	3.5"	8"	PSX 8QRS-S NYLO	36.58"	P2
Invert 2	378.74'	0°	3" DI	3.5"	8"	PSX 8QRS-S NYLO	36.58"	P2
Invert 3	377.5'	0°	4" DI	4.75"	8"	PSX 8QRS-S NYLO	22.2"	P2
Invert 4	377'	275°	12" PVC SDR35	12.5"	16"	PSX 16L NYLO	16.2"	P2
Invert 5								
Invert 6								
Invert 7								
Invert 8								

42" x 72" - HATCH (CAST FLUSH) - 3" - (P4)
 96" - MH FLAT TOP w/42"x72" Hatch w/ConBlock-CDA Red F/G - 17" - (P3)



Cast (Int. Dim.) - Interior Dimensions



Submittal Drawing
 2/6/2026 5:29:38 PM

SUBMITTAL
 APPROVED BY: