

Structure ID: WW

P2 MH096RS96SCDR

MH RISER SPECIAL w/ConBlock-CDA Red T/G

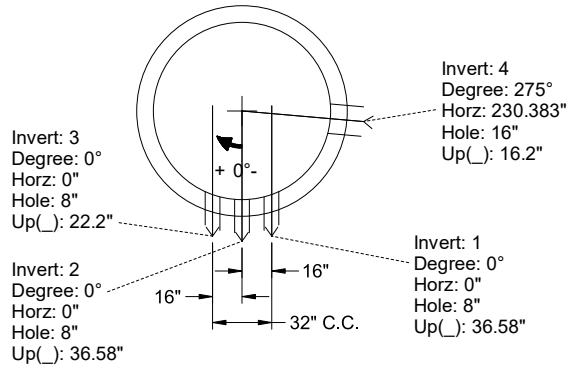
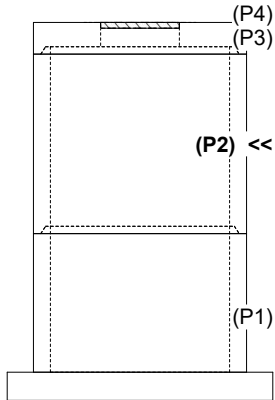
- | | | |
|--|--|--|
| P4) 42" x 72" - HATCH (CAST FLUSH) - 3"
P3) 96" - MH FLAT TOP w/42"x72" Hatch w/ConBlock-CDA Red F/G - 17"
P2) 96" - MH RISER SPECIAL w/ConBlock-CDA Red T/G - 96"
P1) 96" - MH BASE EF Cust. Ht. 15'F (14"EF =142"OD) w/ConBlock-CDA Red T/n - 74"
1) ADMIXTURE CONBLOCK CDA RED
2) JOINT WRAP - 12" WD x 096" MAC WRAP
1) HATCH (Alum.) - HALLIDAY W1S 42"x72"
1) This Structure Includes a Cast-in Item - Halliday W1S 42" x 72" Hatch
1) SECONDARY POUR - BASE FLOOR
1) THIRD POUR - EXTENDED FLANGE
2) 96" - Conseal CS-231 1.00" (Double)
3) PSX - 8QRS-S NYLO
1) PSX - 16L NYLO | 0 lb
9530 lb
23645 lb
38368 lb
0 lb
0 lb
135 lb
0 lb
0 lb
0 lb
0 lb
0 lb
20 lb
8 lb

Structure Total: 71706 lb | Structure Notes:
1. PER ASTM C-478 SPECIFICATIONS
2. CONCRETE: 4,000 PSI AT 28 DAYS
3. REINFORCEMENT: PER ASTM A615
4. NO INVERT CHANNEL
5. CONBLOCK CDA RED ADMIXTURE REQUIRED
6. NO STEPS
7. HALLIDAY W1S 42" X 72" HATCH SUPPLIED BY ICAST - TO BE CAST INTO FLAT LID |
|--|--|--|

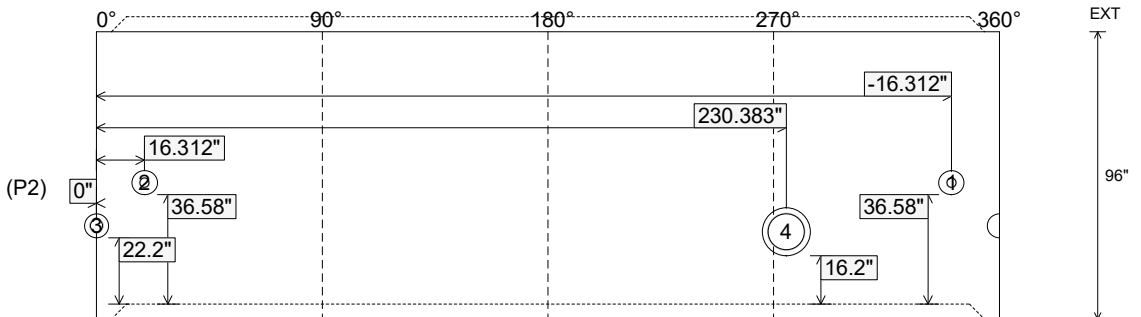
Rim: 384.54' Rim to Invert: 7.54' Slack: 0.68" Sump: 97.2" Step Position:

Position	Elev	Angle	Ext. (cw)	Pipe	Pipe OD	Connector	Hole	Horz Size	Up ()	Offset
Invert 1	378.74'	0°	-16.218"	3" DI	3.5"	PSX 8QRS-S NYLO	8"	8.501"	36.58"	-16"
Invert 2	378.74'	0°	16.218"	3" DI	3.5"	PSX 8QRS-S NYLO	8"	8.501"	36.58"	16"
Invert 3	377.5'	0°	0"	4" DI	4.75"	PSX 8QRS-S NYLO	8"	8.009"	22.2"	0"
Invert 4	377'	275°	273.58"	12" PVC SDR35	12.5"	PSX 16L NYLO	16"	16.075"	16.2"	0"
Invert 5										
Invert 6										
Invert 7										
Invert 8										

RIGHT-SIDE UP VIEW (int. dimensions)



INSIDE WALL DIMENSIONS



Coating (Int): Coating (Ext):	Seam Up: Tongue Seam Dn: Groove	Wall Thickness: 9" Floor Height: 0"	Height (Int): 96" Height (Ext): 96"	Weight (Net): 23645 lb Volume (Net): 6.04cu.yd
----------------------------------	------------------------------------	--	--	---