

Job Name: 25-3576 - HWU Wright St. Pump Station
 Job Location: Henderson, KY
 Contractor: M. Bowling, Inc.

Plant: 100

Tech: J. Horsley - F

2/9/2026 7:49:14 AM

PC: T. Lewis



Structure ID: VV

P1 MH072DHFCDARED

MH DH RISER Custom Ht, w/ConBlock-CDA Red T/F

- P3) 42" x 42" - HATCH (CAST FLUSH) - 3"
- P2) 72" - MH FLAT TOP w/42"x42" Hatch w/ConBlock-CDA Red F/G - 15"
- P1) 72" - MH DH RISER Custom Ht, w/ConBlock-CDA Red T/F - 69"
- 1) ADMIXTURE CONBLOCK CDA RED
- 1) JOINT WRAP - 0.065"x6"x50' CONSEAL CS212
- 1) JOINT WRAP PRIMER - CONSEAL CS-75 (1 gal.)
- 1) HATCH (Alum.) - HALLIDAY W1S 42"x42"
- 1) This Structure Includes a Cast-in Item - Halliday W1S 42" x 42" Hatch
- 1) 72" - Conseal CS-102 1.00" (Double)
- 4) PSX - 8QRS-S NYLO
- 1) DOGHOUSE - 8"x9"

0 lb
 5200 lb
 9891 lb
 0 lb
 0 lb
 0 lb
 0 lb
 108 lb
 0 lb
 0 lb
 26 lb
 0 lb

 Structure Total: 15225 lb

Structure Notes:

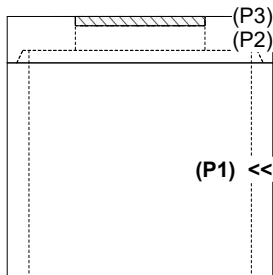
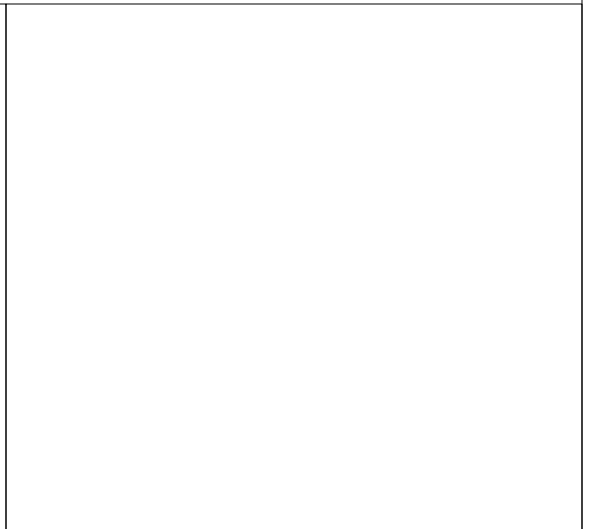
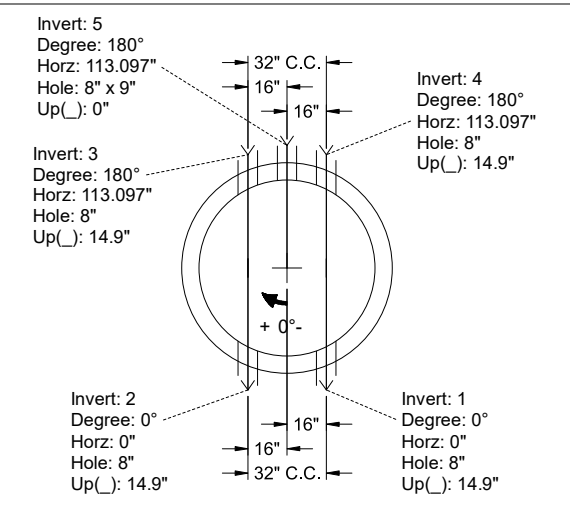
1. PER ASTM C-478 SPECIFICATIONS
2. CONCRETE: 4,000 PSI AT 28 DAYS
3. REINFORCEMENT: PER ASTM A615
4. CONBLOCK CDA RED ADMIXTURE REQUIRED
5. NO STEPS
6. HALLIDAY W1S 42" X 42" HATCH SUPPLIED BY ICAST - TO BE CAST INTO FLAT LID

Rim: 384.54' Rim to Invert: 7' Slack: 3" Sump: 3" Step Position:

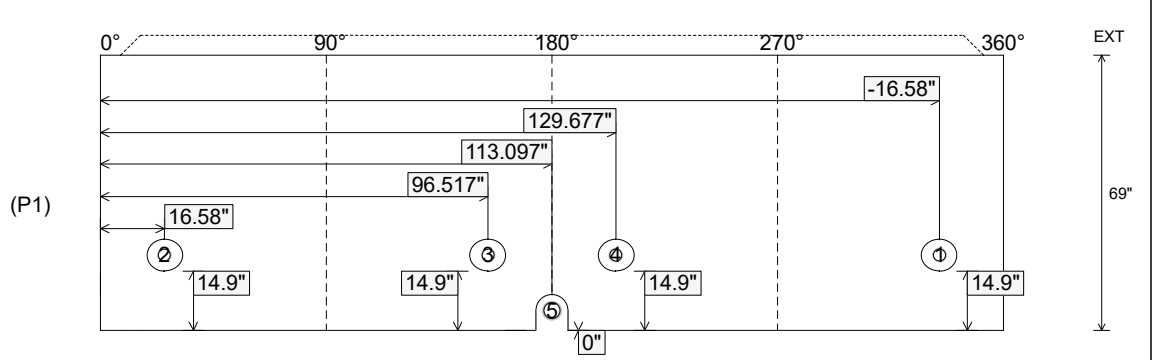
Position	Elev	Angle	Ext. (cw)	Pipe	Pipe OD	Connector	Hole	Horz Size	Up ()	Offset
Invert 1	378.74'	0°	-16.394"	3" DI	3.5"	PSX 8QRS-S NYLO	8"	8.971"	14.9"	-16"
Invert 2	378.74'	0°	16.394"	3" DI	3.5"	PSX 8QRS-S NYLO	8"	8.971"	14.9"	16"
Invert 3	378.74'	180°	118.694"	3" DI	3.5"	PSX 8QRS-S NYLO	8"	8.971"	14.9"	-16"
Invert 4	378.74'	180°	151.483"	3" DI	3.5"	PSX 8QRS-S NYLO	8"	8.971"	14.9"	16"
Invert 5	377.54'	180°	135.088"	4" DI	4.75"	DOGHOUSE 8"x8"	8" x 9"	8.017"	0"	0"
Invert 6										
Invert 7										
Invert 8										

RIGHT-SIDE UP VIEW (int. dimensions)

UPSIDE-DOWN VIEW (int. dimensions)



INSIDE WALL DIMENSIONS



Coating (Int):
 Coating (Ext):

Seam Up: Tongue
 Seam Dn: Flat

Wall Thickness: 7"
 Floor Height: 0"

Height (Int): 69"
 Height (Ext): 69"

Weight (Net): 9891 lb
 Volume (Net): 2.53cu.yd