

Job Name: 25-3576 - HWU Wright St. Pump Station
Job Location: Henderson, KY
Contractor: M. Bowling, Inc.

PC: T. Lewis
 TECH: J. Horsley - F
 Plant: 100



Structure ID: 5
 Spec: Sanitary
 Type: SAN.MH w/ConBlock-CDA Red
 Size: 60"

Rim: 393.7'
 Invert: 388.2'
 Rim to Invert: 5.5'

Sump: 2"
 Floor (Top): 388.033'
 Floor Height: 8"

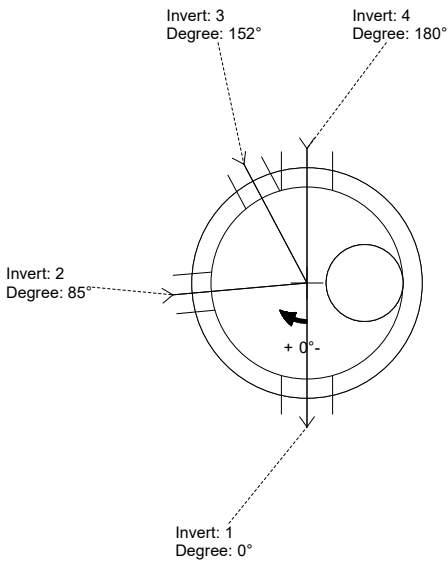
Floor (Bot): 387.367'
 Overall Height: 6.083'
 Slack: 3"

Structure Notes:

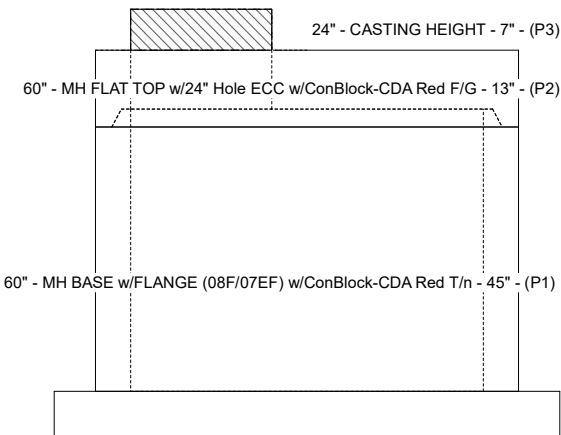
- PER ASTM C-478 SPECIFICATIONS
- CONCRETE: 4,000 PSI AT 28 DAYS
- REINFORCEMENT:
 - FLAT LID: #5 BAR @ 6" C.C. E.W. (GRADE 60)
 - BASE: PER ASTM A615
- INVERT CHANNEL REQUIRED
- CONBLOCK CDA RED ADMIXTURE REQUIRED
- NO STEPS
- HOE MC-315 FRAME & EJ 1020 HENDERSON "STEAMBOAT" COVER SUPPLIED BY ICAST

STRUCTURE SUMMARY:

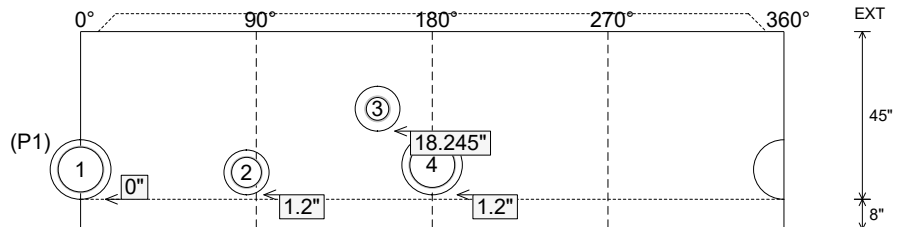
- P3) 24" - CASTING HEIGHT - 7" 0 lb
 - P2) 60" - MH FLAT TOP w/24" Hole ECC w/ConBlock-CDA Red F/G - 13" 2800 lb
 - P1) 60" - MH BASE w/FLANGE (08F/07EF) w/ConBlock-CDA Red T/n - 45" 8278 lb
 - 1) JOINT WRAP - 0.065"x6"x50" CONSEAL CS212 0 lb
 - 1) JOINT WRAP PRIMER - CONSEAL CS-75 (1 gal.) 0 lb
 - 1) ADMIXTURE CONBLOCK CDA RED 0 lb
 - 1) 60" - MH INVERT CHANNEL w/ConBlock-CDA Red - FULL HEIGHT 2962 lb
 - 1) CASTING - HOE MC-315 F/C Henderson 258 lb
 - 1) 60" - Conseal CS-102 1.00" (Double) 0 lb
 - 2) PSX - 16L NYLO 16 lb
 - 1) PSX - 12-08 NYLO 8 lb
 - 1) PSX - 12-06 NYLO 8 lb
- Structure Total: 14330 lb



Position	Elev	Angle	Pipe	Pipe OD	Hole	Connector	Up (")	Ref
Rim	393.7'							
Reducer								
Invert 1	388.2'	0°	12" PVC SDR35	12.5"	16"	PSX 16L NYLO	0"	P1
Invert 2	388.3'	85°	8" PVC SDR35	8.5"	12"	PSX 12-08 NYLO	1.2"	P1
Invert 3	389.8'	152°	6" C900 DR18	6.9"	12"	PSX 12-06 NYLO	18.245"	P1
Invert 4	388.3'	180°	12" PVC SDR35	12.5"	16"	PSX 16L NYLO	1.2"	P1
Invert 5								
Invert 6								
Invert 7								
Invert 8								



Cast (Int. Dim.) - Interior Dimensions



Submittal Drawing
 2/6/2026 5:29:37 PM

SUBMITTAL
 APPROVED BY: