

Job Name: 25-3576 - HWU Wright St. Pump Station
 Job Location: Henderson, KY
 Contractor: M. Bowling, Inc.

Plant: 100

2/9/2026 7:49:13 AM

Tech: J. Horsley - F

PC: T. Lewis



Structure ID: 4

P1 MH060BAEVFCDARED

MH BASE w/FLANGE (08F/07EF) w/ConBlock-CDA Red F/n

- P3) 24" - CASTING HEIGHT - 7"
- P2) 60" - MH FLAT TOP w/24" Hole ECC w/ConBlock-CDA Red F/G - 13"
- P1) 60" - MH BASE w/FLANGE (08F/07EF) w/ConBlock-CDA Red T/n - 45"
- 1) JOINT WRAP - 0.065"x6"x50" CONSEAL CS212
- 1) JOINT WRAP PRIMER - CONSEAL CS-75 (1 gal.)
- 1) ADMIXTURE CONBLOCK CDA RED
- 1) 60" - MH INVERT CHANNEL w/ConBlock-CDA Red - FULL HEIGHT
- 1) CASTING - HOE MC-315 F/C Henderson
- 1) 60" - Conseal CS-102 1.00" (Double)
- 2) PSX - 16L NYLO
- 1) PSX - 16Y NYLO

- 0 lb
- 2800 lb
- 8290 lb
- 0 lb
- 0 lb
- 0 lb
- 2962 lb
- 258 lb
- 0 lb
- 16 lb
- 8 lb

- Structure Notes:
1. PER ASTM C-478 SPECIFICATIONS
 2. CONCRETE: 4,000 PSI AT 28 DAYS
 3. REINFORCEMENT: PER ASTM A615
 4. INVERT CHANNEL REQUIRED
 5. CONBLOCK CDA RED ADMIXTURE REQUIRED
 6. NO STEPS
 7. HOE MC-315 FRAME & EJ 1020 HENDERSON "STEAMBOAT" COVER SUPPLIED BY ICAST

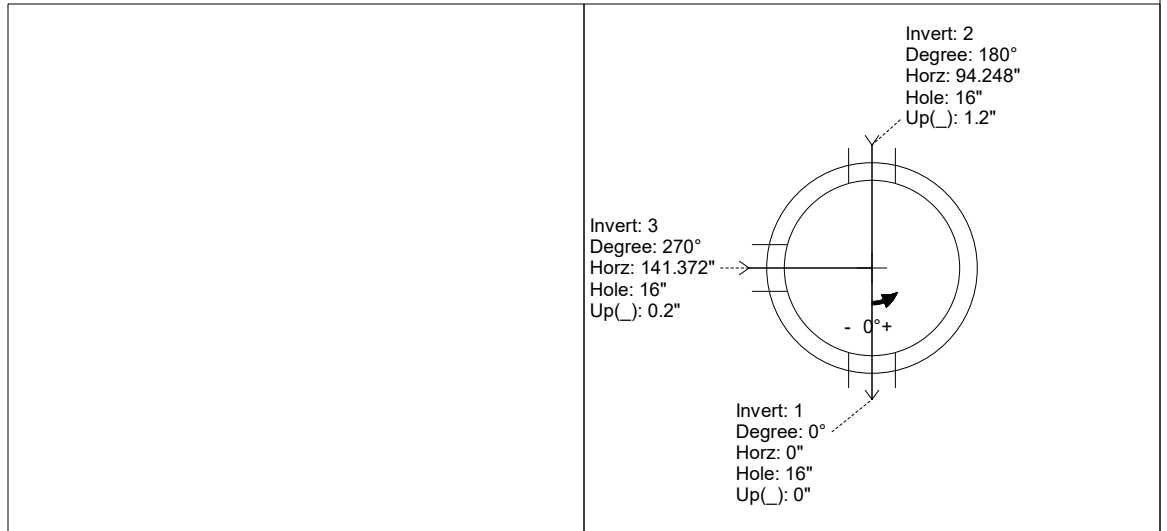
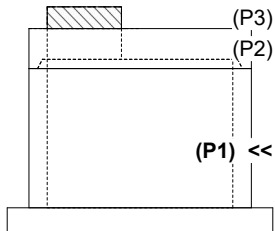
Structure Total: 14334 lb

Rim: 393.5' Rim to Invert: 5.5' Slack: 3" Sump: 2" Step Position:

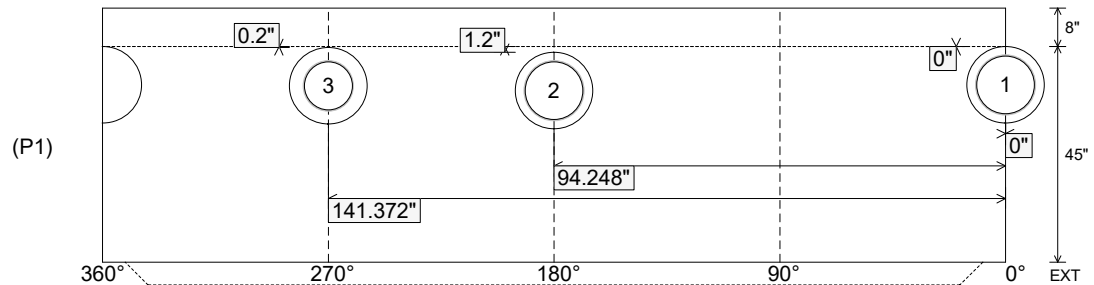
Position	Elev	Angle	Ext. (cw)	Pipe	Pipe OD	Connector	Hole	Horz Size	Up ()	Offset
Invert 1	388'	0°	0"	12" PVC SDR35	12.5"	PSX 16L NYLO	16"	16.196"	0"	0"
Invert 2	388.1'	180°	113.097"	12" PVC SDR35	12.5"	PSX 16L NYLO	16"	16.196"	1.2"	0"
Invert 3	388.1'	270°	169.646"	10" PVC SDR35	10.5"	PSX 16Y NYLO	16"	16.196"	0.2"	0"
Invert 4										
Invert 5										
Invert 6										
Invert 7										
Invert 8										

RIGHT-SIDE UP VIEW (int. dimensions)

UPSIDE-DOWN VIEW (int. dimensions)



INSIDE WALL DIMENSIONS



Coating (Int):
Coating (Ext):

Seam Up: Tongue
Seam Dn: n/a

Wall Thickness: 6"
Floor Height: 8"

Height (Int): 45"
Height (Ext): 53"

Weight (Net): 8290 lb
Volume (Net): 2.12cu.yd