

Job Name: 25-3576 - HWU Wright St. Pump Station  
 Job Location: Henderson, KY  
 Contractor: M. Bowling, Inc.

Plant: 100

2/9/2026 7:49:11 AM

Tech: J. Horsley - F

PC: T. Lewis



**Structure ID: 3**

**P1 MH060BAEVFCDARED**

**MH BASE w/FLANGE (08F/07EF) w/ConBlock-CDA Red T/n**

P5) 24" - CASTING HEIGHT - 7"	0 lb
P4) 24" - GRADE RING w/ConBlock-CDA Red F/F - 6"	405 lb
P3) 60" - MH FLAT TOP w/24" Hole ECC w/ConBlock-CDA Red F/G - 13"	2800 lb
P2) 60" - MH RISER SPECIAL w/ConBlock-CDA Red T/G - 72"	7400 lb
P1) 60" - MH BASE w/FLANGE (08F/07EF) w/ConBlock-CDA Red T/n - 69"	10843 lb
1) JOINT WRAP - 0.065"x6"x50' CONSEAL CS212	0 lb
1) JOINT WRAP PRIMER - CONSEAL CS-75 (1 gal.)	0 lb
1) ADMIXTURE CONBLOCK CDA RED	0 lb
1) 60" - MH INVERT CHANNEL w/ConBlock-CDA Red - FULL HEIGHT	2962 lb
1) CASTING - HOE MC-315 F/C Henderson	258 lb
2) 60" - Conseal CS-102 1.00" (Double)	0 lb
2) PSX - 18M DD	16 lb
2) PSX - 12-06 NYLO	16 lb
<b>Structure Total:</b>	<b>24700 lb</b>

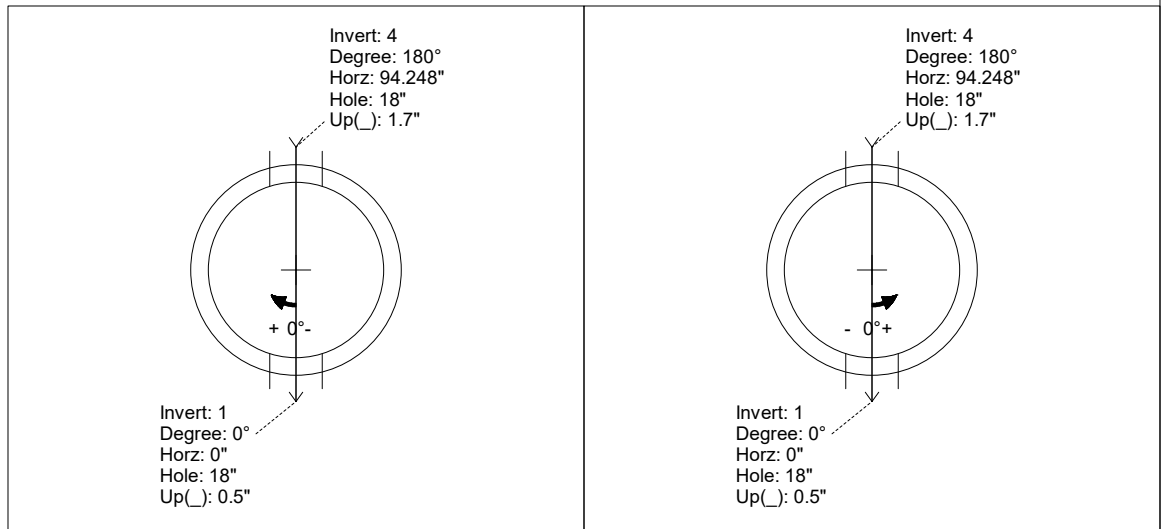
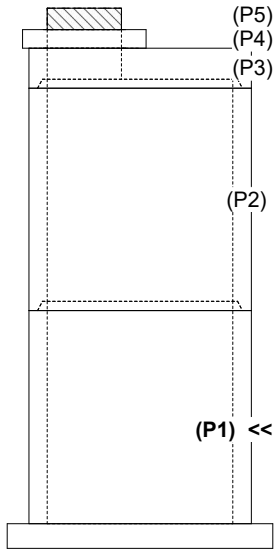
- Structure Notes:
1. PER ASTM C-478 SPECIFICATIONS
  2. CONCRETE: 4,000 PSI AT 28 DAYS
  3. REINFORCEMENT: PER ASTM A615
  4. INVERT CHANNEL REQUIRED
  5. CONBLOCK CDA RED ADMIXTURE REQUIRED
  6. NO STEPS
  7. HOE MC-315 FRAME & EJ 1020 HENDERSON "STEAMBOAT" COVER SUPPLIED BY ICAST

Rim: 400' Rim to Invert: 14' Slack: 3" Sump: 2" Step Position:

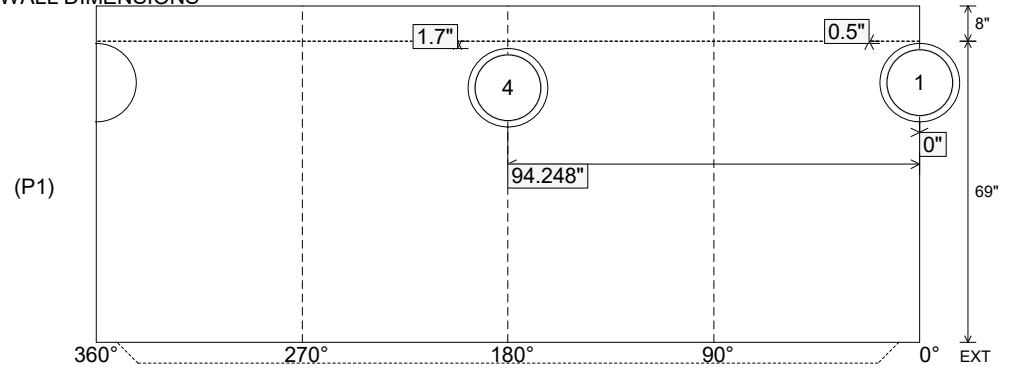
Position	Elev	Angle	Ext. (cw)	Pipe	Pipe OD	Connector	Hole	Horz Size	Up (↓)	Offset
Invert 1	386'	0°	0"	15" PVC SDR35	15.3"	PSX 18M DD	18"	18.282"	0.5"	0"
Invert 2										
Invert 3										
Invert 4	386.1'	180°	113.097"	15" PVC SDR35	15.3"	PSX 18M DD	18"	18.282"	1.7"	0"
Invert 5										
Invert 6										
Invert 7										
Invert 8										

RIGHT-SIDE UP VIEW (int. dimensions)

UPSIDE-DOWN VIEW (int. dimensions)



INSIDE WALL DIMENSIONS



Coating (Int): Coating (Ext):	Seam Up: Tongue Seam Dn: n/a	Wall Thickness: 6" Floor Height: 8"	Height (Int): 69" Height (Ext): 77"	Weight (Net): 10843 lb Volume (Net): 2.77cu.yd
----------------------------------	---------------------------------	--	--	---