

Job Name: 25-3576 - HWU Wright St. Pump Station  
 Job Location: Henderson, KY  
 Contractor: M. Bowling, Inc.

Plant: 100

2/9/2026 7:49:10 AM

Tech: J. Horsley - F

PC: T. Lewis



**Structure ID: 2**

**P1 MH060BAEVFCDARED**

**MH BASE w/FLANGE (08F/07EF) w/ConBlock-CDA Red F/n**

- P3) 24" - CASTING HEIGHT - 7"
- P2) 60" - MH FLAT TOP w/24" Hole ECC w/ConBlock-CDA Red F/G - 13"
- P1) 60" - MH BASE w/FLANGE (08F/07EF) w/ConBlock-CDA Red T/n - 48"
- 1) JOINT WRAP - 0.065"x6"x50" CONSEAL CS212
- 1) JOINT WRAP PRIMER - CONSEAL CS-75 (1 gal.)
- 1) ADMIXTURE CONBLOCK CDA RED
- 1) 60" - MH INVERT CHANNEL w/ConBlock-CDA Red - FULL HEIGHT
- 1) CASTING - HOE MC-315 F/C Henderson
- 1) 60" - Conseal CS-102 1.00" (Double)
- 3) PSX - 16L NYLO

0 lb  
 2800 lb  
 8603 lb  
 0 lb  
 0 lb  
 0 lb  
 2962 lb  
 258 lb  
 0 lb  
 24 lb  
 -----  
 Structure Total: 14647 lb

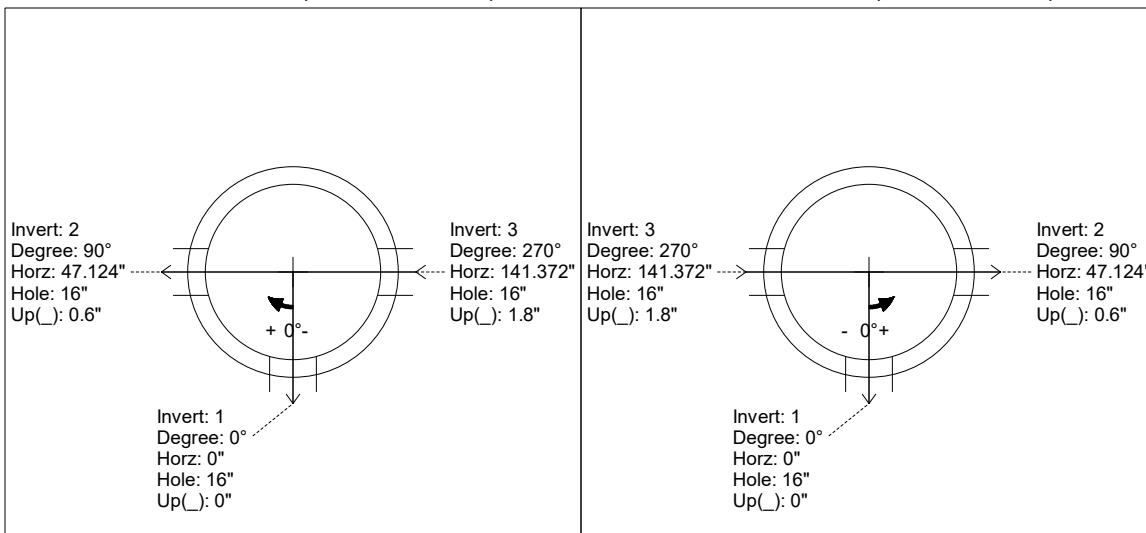
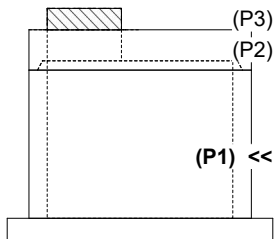
- Structure Notes:
1. PER ASTM C-478 SPECIFICATIONS
  2. CONCRETE: 4,000 PSI AT 28 DAYS
  3. REINFORCEMENT: PER ASTM A615
  4. INVERT CHANNEL REQUIRED
  5. CONBLOCK CDA RED ADMIXTURE REQUIRED
  6. NO STEPS
  7. HOE MC-315 FRAME & EJ 1020 HENDERSON "STEAMBOAT" COVER SUPPLIED BY ICAST

Rim: 383.41' Rim to Invert: 5.76' Slack: 3.12' Sump: 2" Step Position:

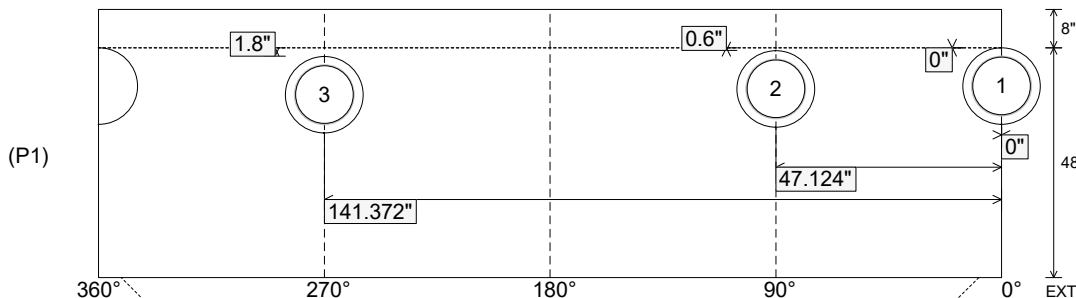
Position	Elev	Angle	Ext. (cw)	Pipe	Pipe OD	Connector	Hole	Horz Size	Up ( )	Offset
Invert 1	377.65'	0°	0"	12" PVC SDR35	12.5"	PSX 16L NYLO	16"	16.196"	0"	0"
Invert 2	377.7'	90°	56.549"	12" PVC SDR35	12.5"	PSX 16L NYLO	16"	16.196"	0.6"	0"
Invert 3	377.8'	270°	169.646"	12" PVC SDR35	12.5"	PSX 16L NYLO	16"	16.196"	1.8"	0"
Invert 4										
Invert 5										
Invert 6										
Invert 7										
Invert 8										

RIGHT-SIDE UP VIEW (int. dimensions)

UPSIDE-DOWN VIEW (int. dimenions)



INSIDE WALL DIMENSIONS



Coating (Int):  
 Coating (Ext):

Seam Up: Tongue  
 Seam Dn: n/a

Wall Thickness: 6"  
 Floor Height: 8"

Height (Int): 48"  
 Height (Ext): 56"

Weight (Net): 8603 lb  
 Volume (Net): 2.2cu.yd