

**Job Name: 25-3576 - HWU Wright St. Pump Station**  
**Job Location: Henderson, KY**  
**Contractor: M. Bowling, Inc.**

PC: T. Lewis  
 TECH: J. Horsley - F  
 Plant: 100



Structure ID: 1  
 Spec: Sanitary  
 Type: SAN.MH w/ConBlock-CDA Red  
 Size: 60"

Rim: 383.41'  
 Invert: 377.5'  
 Rim to Invert: 5.91'

Sump: 2"  
 Floor (Top): 377.333'  
 Floor Height: 8"

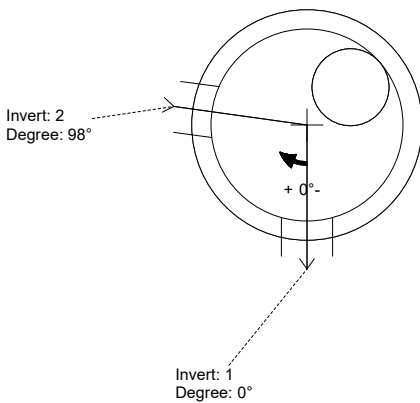
Floor (Bot): 376.667'  
 Overall Height: 6.417'  
 Slack: 3.92"

**Structure Notes:**

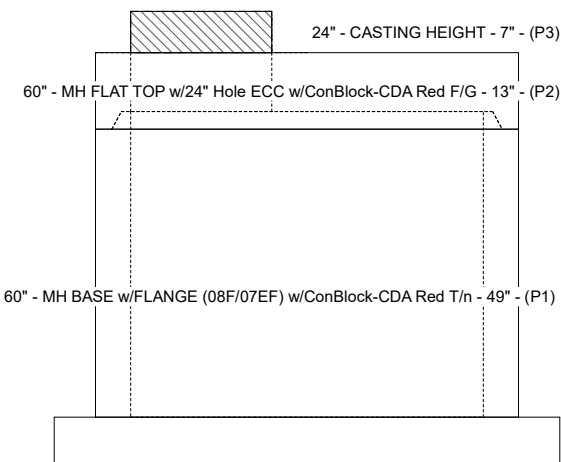
1. PER ASTM C-478 SPECIFICATIONS
2. CONCRETE: 4,000 PSI AT 28 DAYS
3. REINFORCEMENT:
  - FLAT LID: #5 BAR @ 6" C.C. E.W. (GRADE 60)
  - BASE: PER ASTM A615
4. INVERT CHANNEL REQUIRED
5. CONBLOCK CDA RED ADMIXTURE REQUIRED
6. NO STEPS
7. HOE MC-315 FRAME & EJ 1020 HENDERSON "STEAMBOAT" COVER SUPPLIED BY ICAST

**STRUCTURE SUMMARY:**

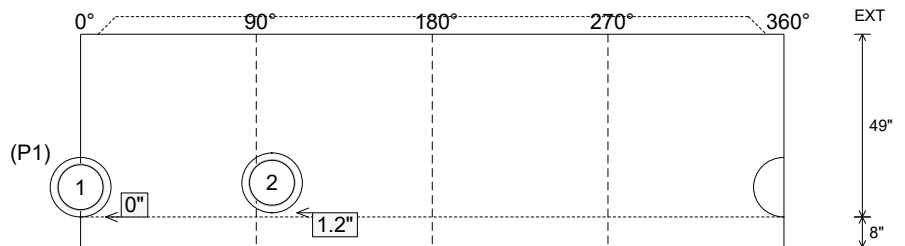
P3) 24" - CASTING HEIGHT - 7"	0 lb
P2) 60" - MH FLAT TOP w/24" Hole ECC w/ConBlock-CDA Red F/G - 13"	2800 lb
P1) 60" - MH BASE w/FLANGE (08F/07EF) w/ConBlock-CDA Red T/n - 49"	8810 lb
1) JOINT WRAP - 0.065"x6"x50" CONSEAL CS212	0 lb
1) JOINT WRAP PRIMER - CONSEAL CS-75 (1 gal.)	0 lb
1) ADMIXTURE CONBLOCK CDA RED	0 lb
1) 60" - MH INVERT CHANNEL w/ConBlock-CDA Red - FULL HEIGHT	2962 lb
1) CASTING - HOE MC-315 F/C Henderson	258 lb
1) 60" - Conseal CS-102 1.00" (Double)	0 lb
2) PSX - 16L NYLO	16 lb
	14846 lb
<b>Structure Total:</b>	



Position	Elev	Angle	Pipe	Pipe OD	Hole	Connector	Up (L)	Ref
Rim	383.41'							
Reducer								
Invert 1	377.5'	0°	12" PVC SDR35	12.5"	16"	PSX 16L NYLO	0"	P1
Invert 2	377.6'	98°	12" PVC SDR35	12.5"	16"	PSX 16L NYLO	1.2"	P1
Invert 3								
Invert 4								
Invert 5								
Invert 6								
Invert 7								
Invert 8								



**Cast (Int. Dim.) - Interior Dimensions**



Submittal Drawing  
 2/6/2026 5:29:34 PM

SUBMITTAL  
 APPROVED BY: