

Job Name: 25-3568 - 816289 Quiktrip 7160
Job Location: Georgetown, IN
Contractor: Contech Engineering Solutions

PC: T. Sekula
 TECH: J. Coppage
 Plant: Beaver Dam



Structure ID: **10-CS-5**
 Spec: Storm-Pipe Centered
 Type: STM.MH
 Size: 60"

Rim: 455.1'
 Invert: 450.36'
 Rim to Invert: 4.74'

Sump: 58"
 Floor (Top): 445.527'
 Floor Height: 8"

Floor (Bot): 444.86'
 Overall Height: 9.583'
 Slack: 7.88"

Structure Notes:
 (4" TALL CASTING BY OTHERS)

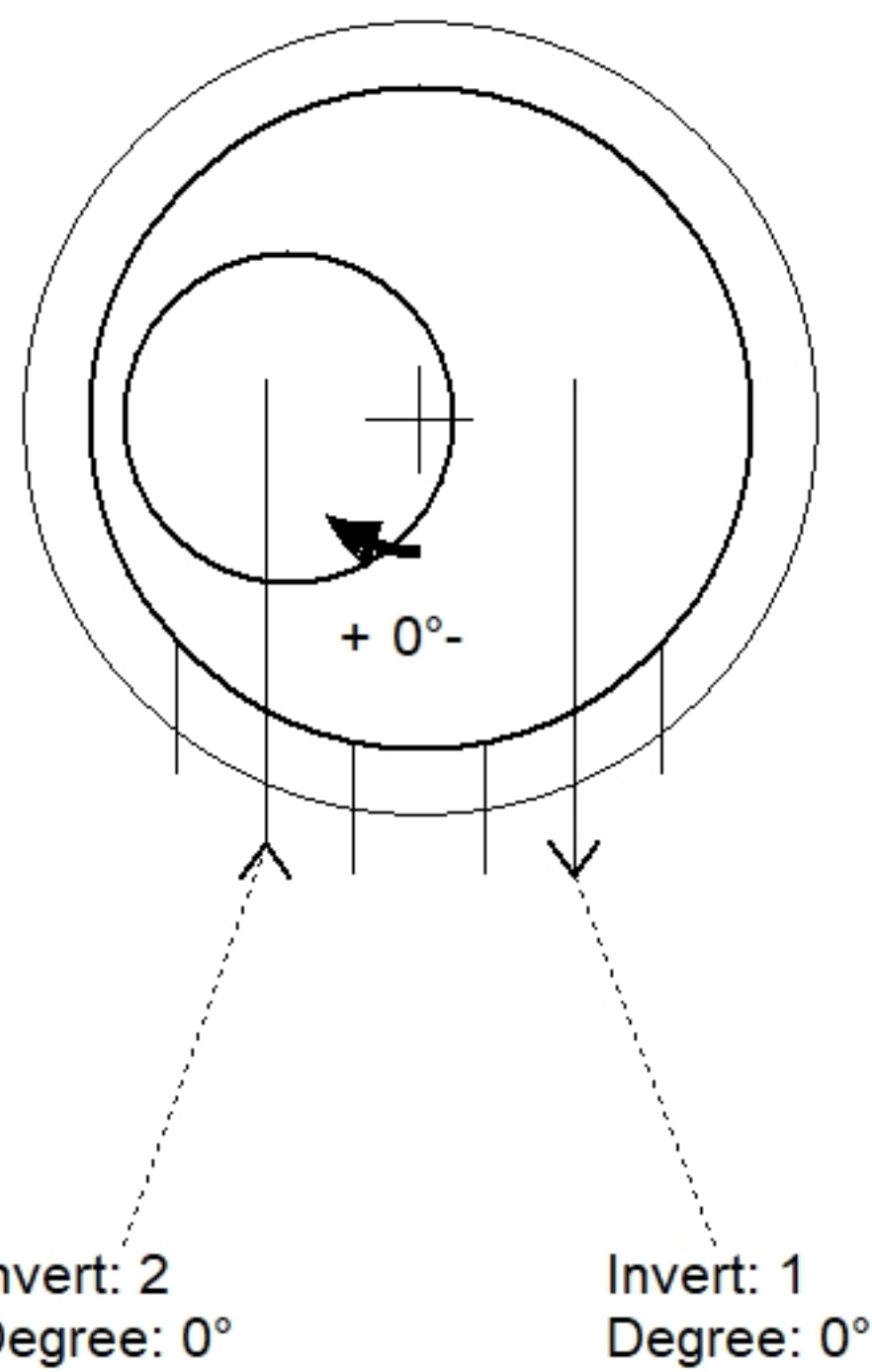
LIFTING ANCHORS TO BE INSTALLED ON THE OUTSIDE OF THE STRUCTURE

ICAST TO INSTALL THE INTERNALS

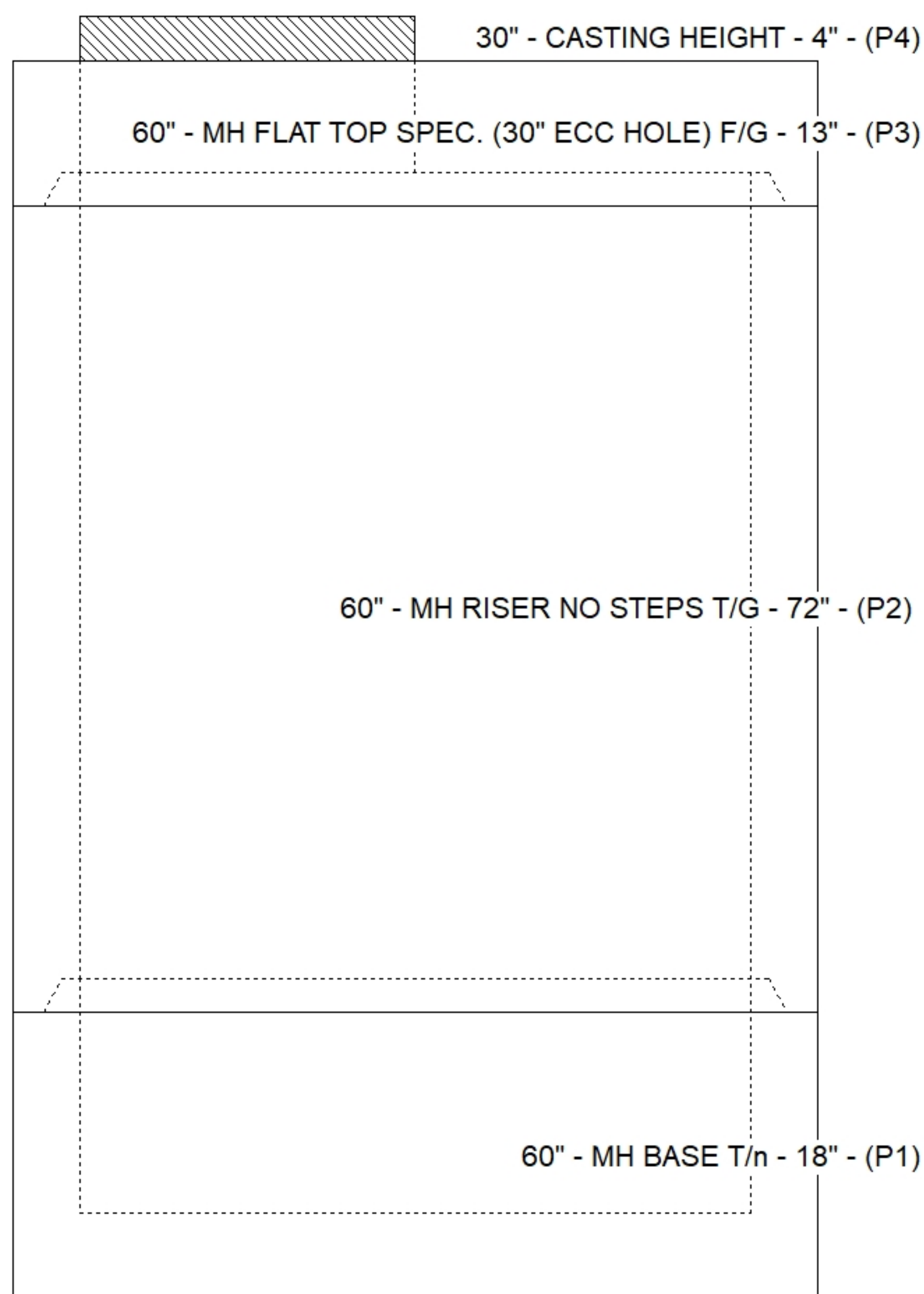
CONTECHS'S LOGO AS WELL AS THE INLET AND OUTLET MUST BE STENCILED ONTO THE STRUCTURE

STRUCTURE SUMMARY:

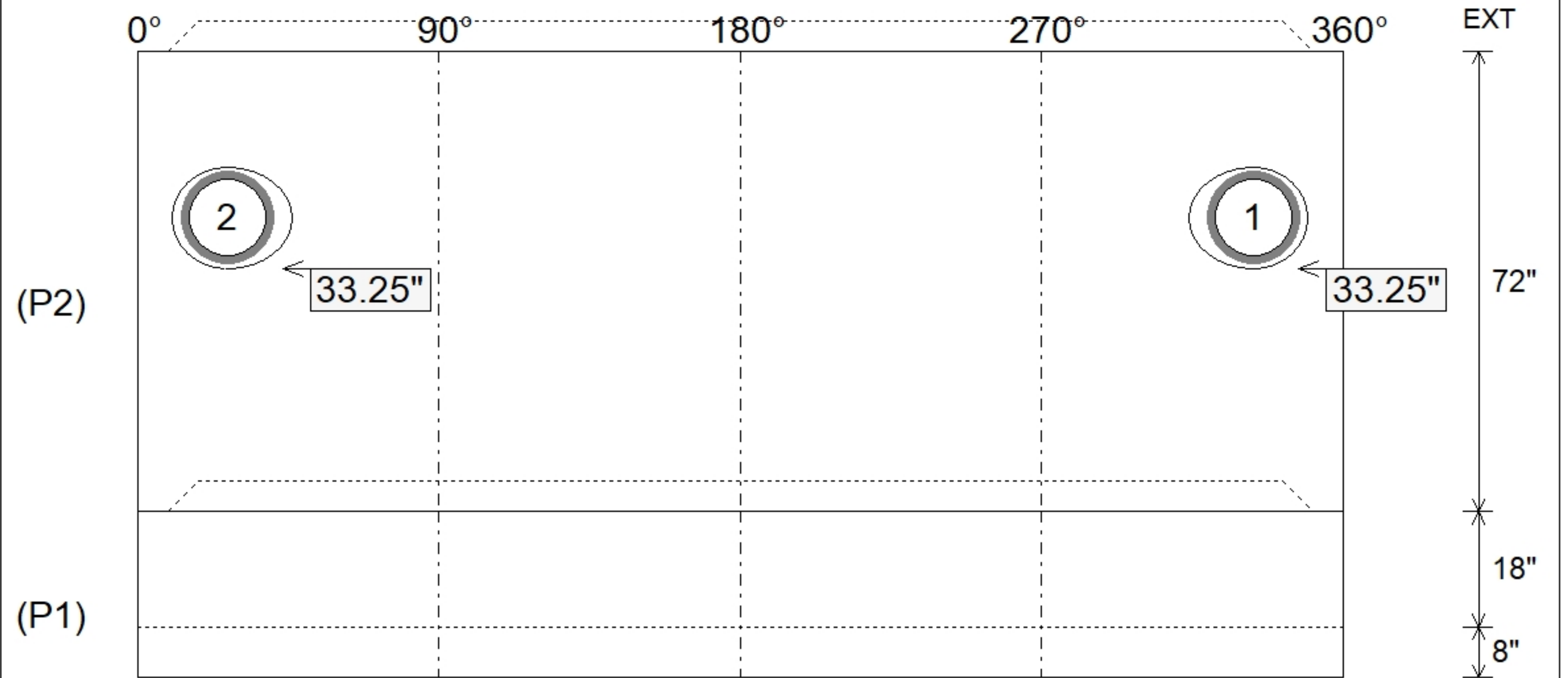
P4) 30" - CASTING HEIGHT - 4"	0 lb
P3) 60" - MH FLAT TOP SPEC. (30" ECC HOLE) F/G - 13"	2589 lb
P2) 60" - MH RISER NO STEPS T/G - 72"	7287 lb
P1) 60" - MH BASE T/n - 18"	4612 lb
1) PSASSEMBLY	0 lb
1) CVSTENCILING	0 lb
2) 60" - Conseal CS-102 1.00"	0 lb
2) Hole - 16	0 lb
	<hr/>
Structure Total:	14488 lb



Position	Elev	Angle	Pipe	Pipe OD	Hole	Connector	Up (")	Ref
Rim	455.1'							
Reducer								
Invert 1	450.36'	0°	12" HDPE	14.5"	16"	Hole 16	33.25"	P2
Invert 2	450.36'	0°	12" HDPE	14.5"	16"	Hole 16	33.25"	P2
Invert 3								
Invert 4								
Invert 5								
Invert 6								
Invert 7								
Invert 8								



Cast (Int. Dim.) - Interior Dimensions



Submittal Drawing
 10/9/2025 4:50:55 PM

SUBMITTAL
 APPROVED BY: