

Job Name: 25-3568 - 816289 Quiktrip 7160  
 Job Location: Georgetown, IN  
 Contractor: Contech Engineering Solutions

Plant: Beaver Dam  
 10/9/2025 4:51:59 PM

Tech: J. Coppage  
 PC: T. Sekula



**Structure ID: 10-CS-5**

**P3 MH060LD13-30ECC**

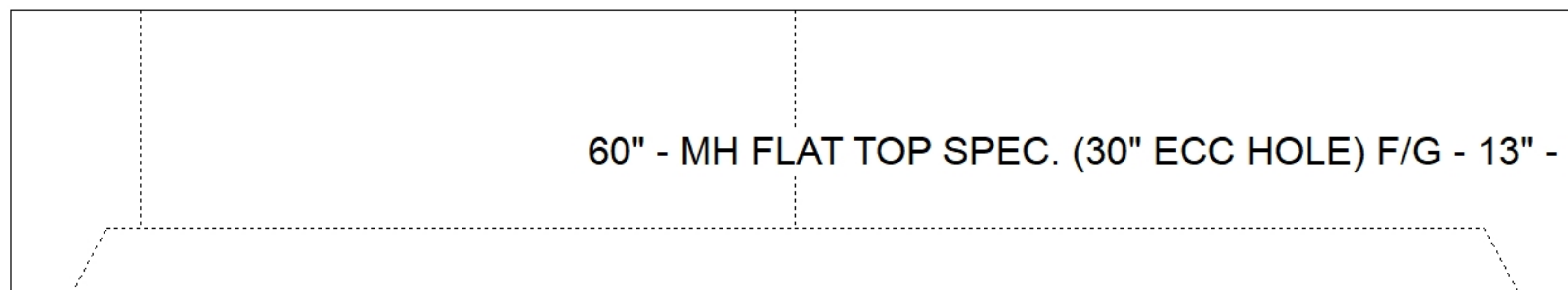
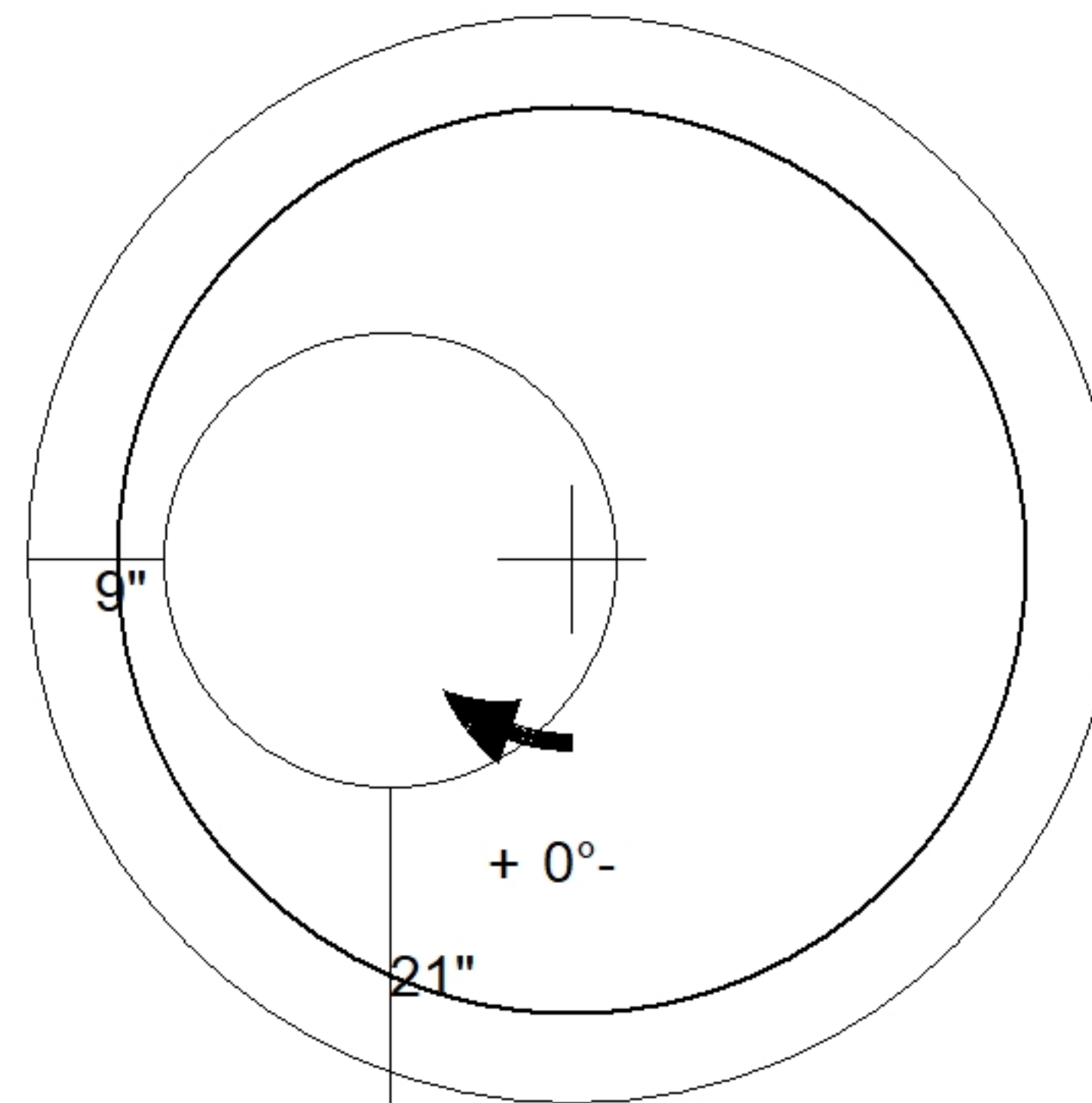
**MH FLAT TOP SPEC. (30" ECC HOLE) F/G**

- P4) 30" - CASTING HEIGHT - 4"
- P3) 60" - MH FLAT TOP SPEC. (30" ECC HOLE) F/G - 13"
- P2) 60" - MH RISER NO STEPS T/G - 72"
- P1) 60" - MH BASE T/n - 18"
- 1) PSASSEMBLY
- 1) CVSTENCILING
- 2) 60" - Conseal CS-102 1.00"
- 2) Hole - 16

0 lb  
 2589 lb  
 7287 lb  
 4612 lb  
 0 lb  
 0 lb  
 0 lb  
 0 lb  
 -----  
 0 lb

Structure Total: 14488 lb

Structure Notes:  
 (4" TALL CASTING BY OTHERS)  
  
 LIFTING ANCHORS TO BE INSALLED  
 ON THE OUTSIDE OF THE STRUCTURE  
  
 ICAST TO INSTALL THE INTERNALS  
  
 CONTECHS'S LOGO AS WELL AS  
 THE INLET AND OUTLET MUST BE  
 STENCILED ONTO THE STRUCTURE



Coating (Int):	Seam Up: Flat	Wall Thickness: 6"	Height (Ext): 13"	Weight (Net): 2589 lb
Coating (Ext):	Seam Dn: Groove			Volume (Net): 0.66cu.yd