

Structure ID: 10-CS-5

P2 MH060RS72S

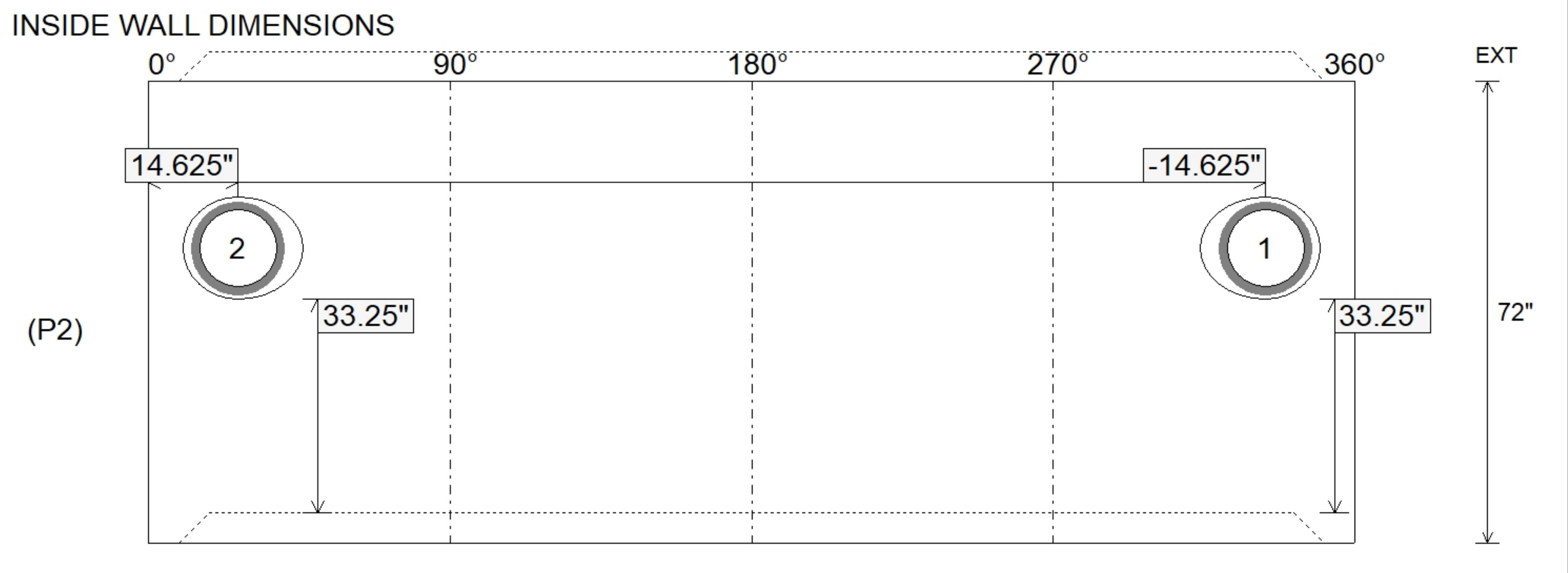
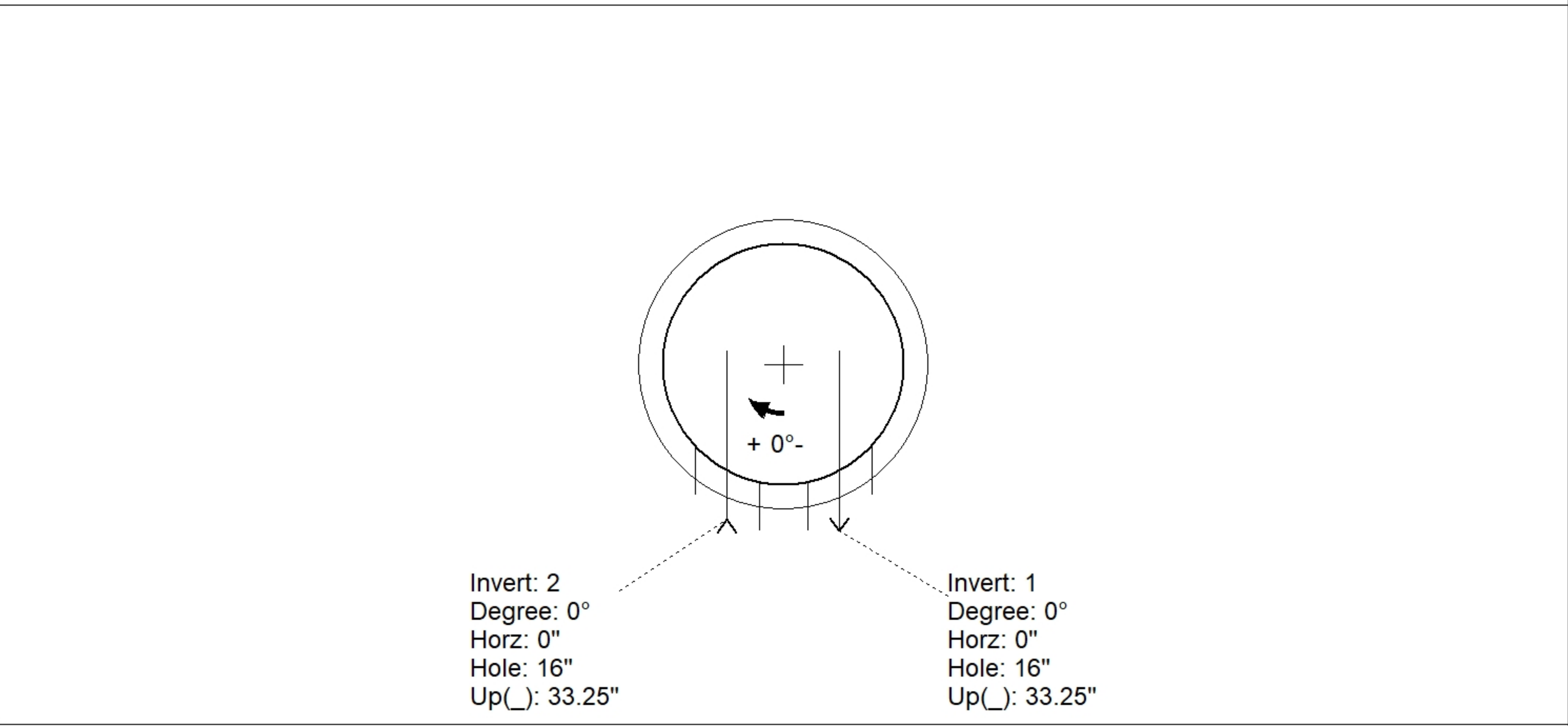
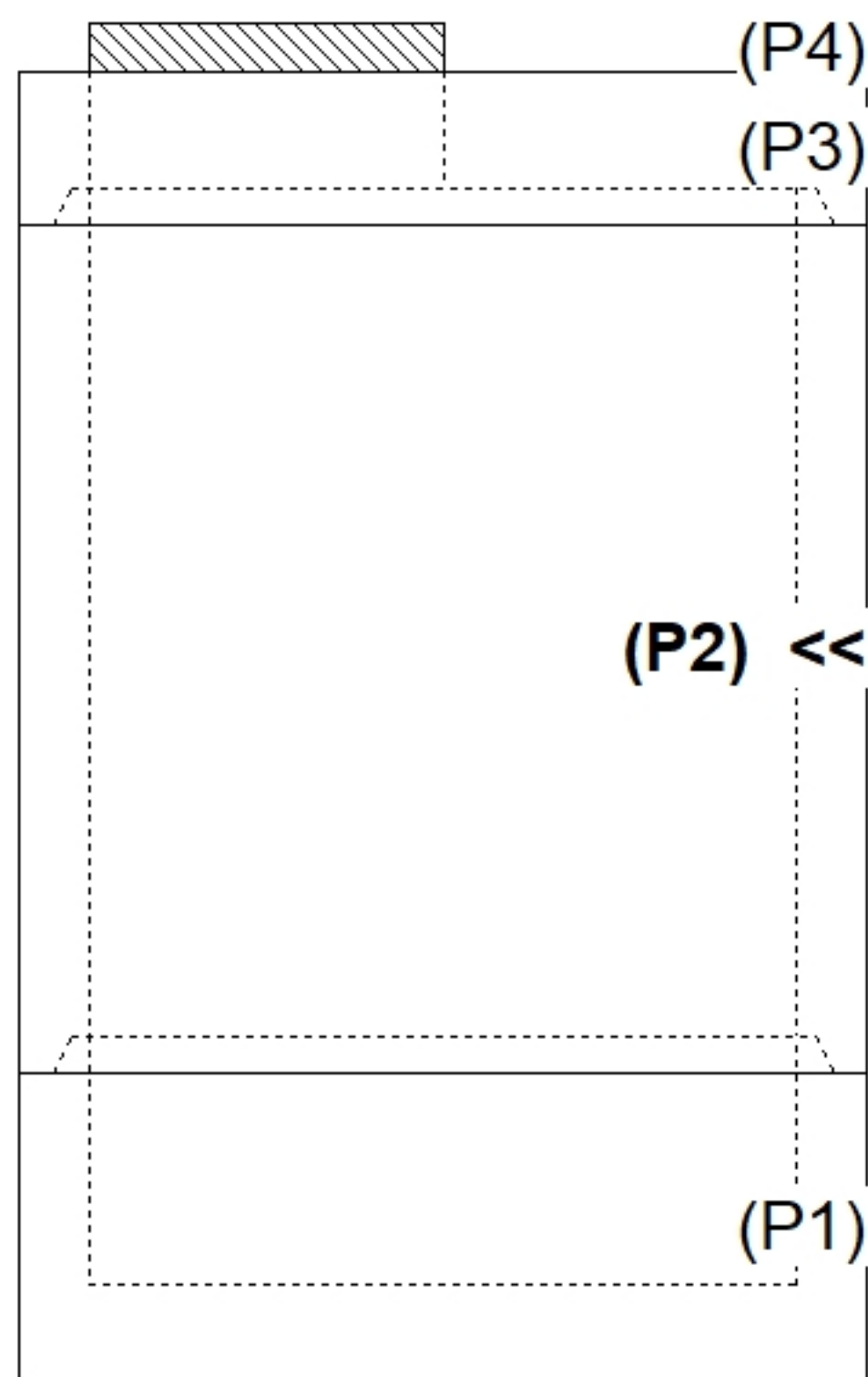
MH RISER NO STEPS T/G

P4) 30" - CASTING HEIGHT - 4" P3) 60" - MH FLAT TOP SPEC. (30" ECC HOLE) F/G - 13" P2) 60" - MH RISER NO STEPS T/G - 72" P1) 60" - MH BASE T/n - 18" 1) PSASSEMBLY 1) CVSTENCILING 2) 60" - Conseal CS-102 1.00" 2) Hole - 16	0 lb 2589 lb 7287 lb 4612 lb 0 lb 0 lb 0 lb 0 lb 0 lb ----- 14488 lb	Structure Notes: (4" TALL CASTING BY OTHERS) LIFTING ANCHORS TO BE INSALLED ON THE OUTSIDE OF THE STRUCTURE ICAST TO INSTALL THE INTERNALS CONTECHS'S LOGO AS WELL AS THE INLET AND OUTLET MUST BE STENCILED ONTO THE STRUCTURE
--	--	---

Rim: 455.1' Rim to Invert: 4.74' Slack: 7.88" Sump: 58" Step Position:

Position	Elev	Angle	Ext. (cw)	Pipe	Pipe OD	Connector	Hole	Horz Size	Up ()	Offset
Invert 1	450.36'	0°	-14.375"	12" HDPE	14.5"	Hole 16	16"	18.656"	33.25"	-14"
Invert 2	450.36'	0°	14.375"	12" HDPE	14.5"	Hole 16	16"	18.656"	33.25"	14"
Invert 3										
Invert 4										
Invert 5										
Invert 6										
Invert 7										
Invert 8										

RIGHT-SIDE UP VIEW (int. dimensions)



Coating (Int):	Seam Up: Tongue Seam Dn: Groove	Wall Thickness: 6" Floor Height: 0"	Height (Int): 72" Height (Ext): 72"
Coating (Ext):			Weight (Net): 7287 lb Volume (Net): 1.86cu.yd