

Job Name: 25-3568 - 816289 Quiktrip 7160
 Job Location: Georgetown, IN
 Contractor: Contech Engineering Solutions

Plant: Beaver Dam

Tech: J. Coppage

10/9/2025 4:51:16 PM

PC: T. Sekula



Structure ID: 10-CS-5

P1 MH060BA18

MH BASE T/n

P4) 30" - CASTING HEIGHT - 4"	0 lb
P3) 60" - MH FLAT TOP SPEC. (30" ECC HOLE) F/G - 13"	2589 lb
P2) 60" - MH RISER NO STEPS T/G - 72"	7287 lb
P1) 60" - MH BASE T/n - 18"	4612 lb
1) PSASSEMBLY	0 lb
1) CVSTENCILING	0 lb
2) 60" - Conseal CS-102 1.00"	0 lb
2) Hole - 16	0 lb
Structure Total:	14488 lb

Structure Notes:
 (4" TALL CASTING BY OTHERS)

 LIFTING ANCHORS TO BE INSALLED ON THE OUTSIDE OF THE STRUCTURE

 ICAST TO INSTALL THE INTERNALS

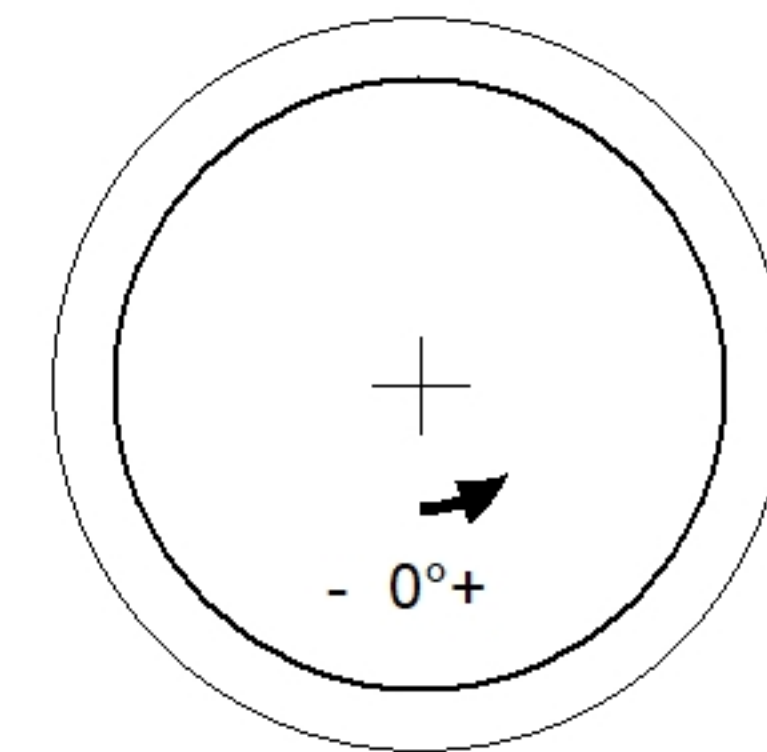
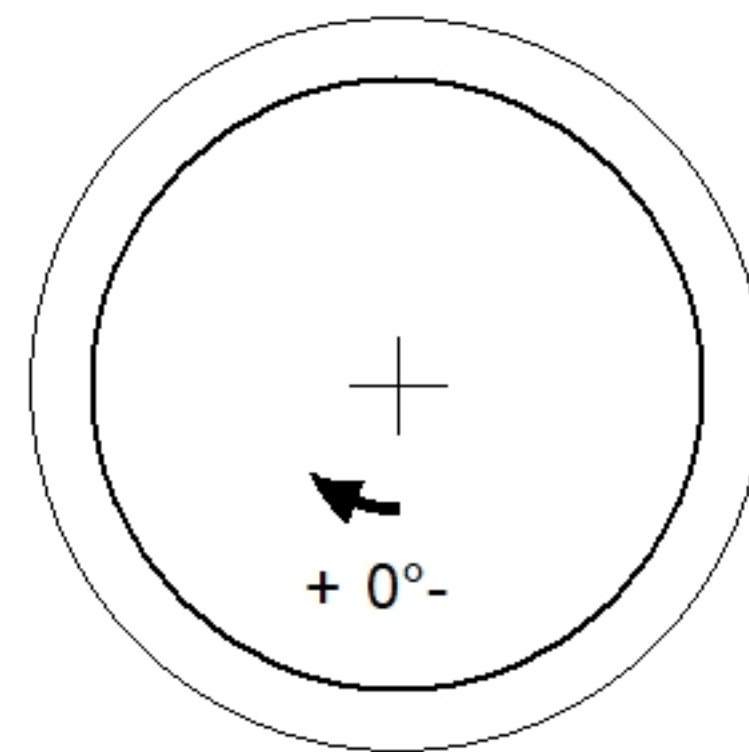
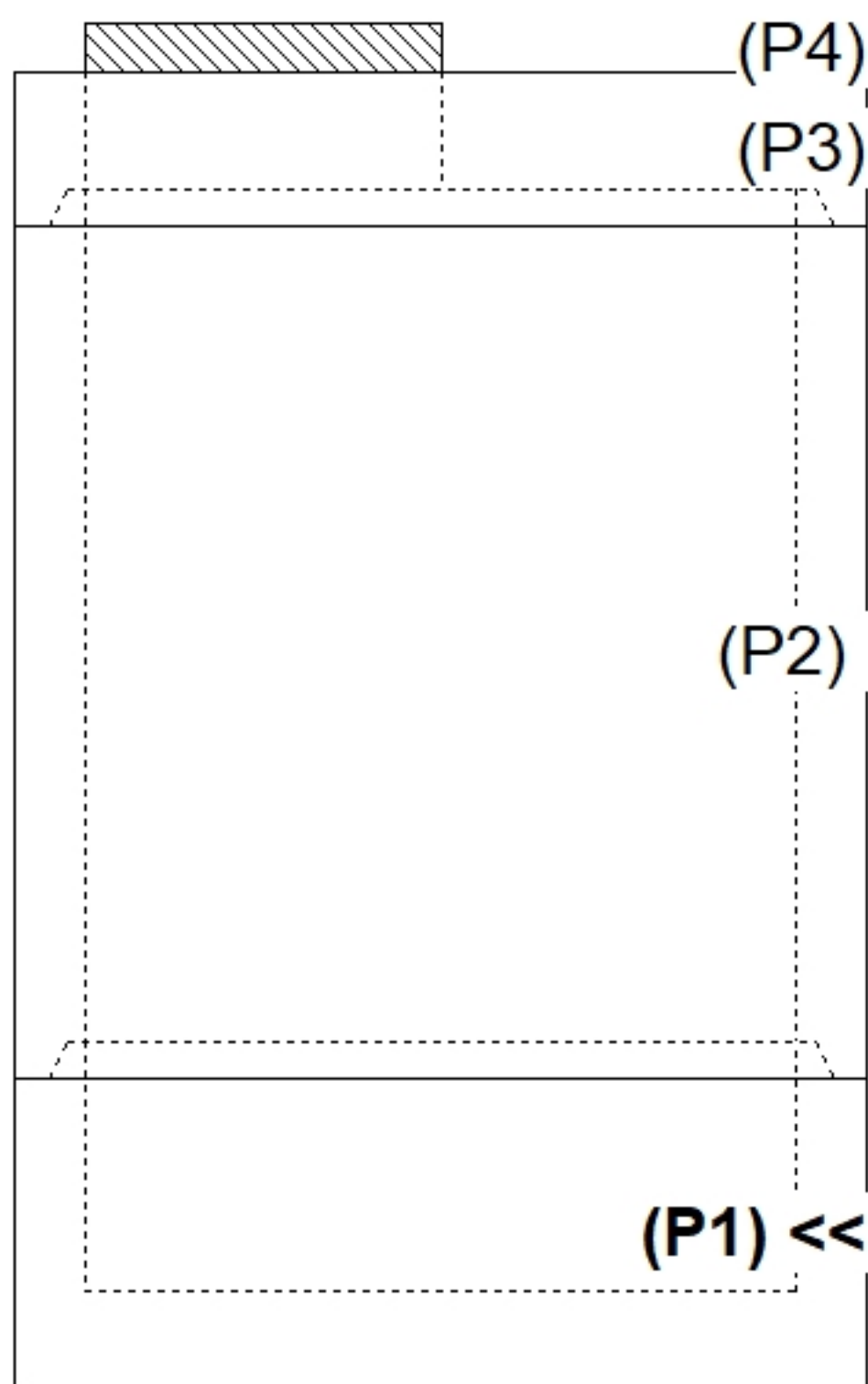
 CONTECHS'S LOGO AS WELL AS THE INLET AND OUTLET MUST BE STENCILED ONTO THE STRUCTURE

Rim: 455.1' Rim to Invert: 4.74' Slack: 7.88" Sump: 58" Step Position:

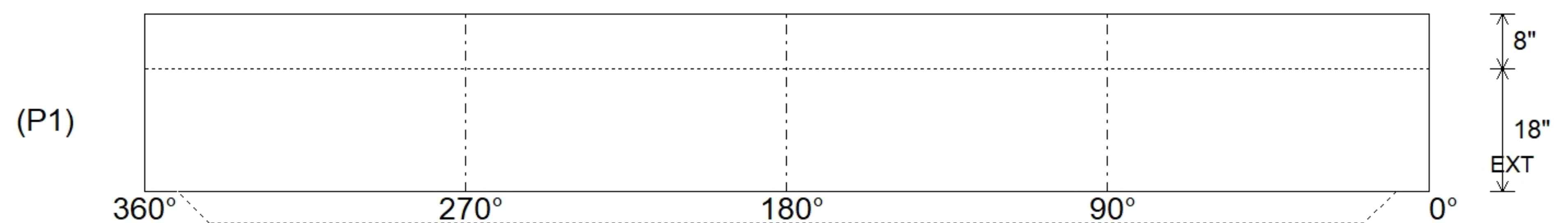
Position	Elev	Angle	Ext. (cw)	Pipe	Pipe OD	Connector	Hole	Horz Size	Up (L)	Offset
Invert 1										
Invert 2										
Invert 3										
Invert 4										
Invert 5										
Invert 6										
Invert 7										
Invert 8										

RIGHT-SIDE UP VIEW (int. dimensions)

UPSIDE-DOWN VIEW (int. dimensions)



INSIDE WALL DIMENSIONS



Coating (Int):
 Coating (Ext):

Seam Up: Tongue
 Seam Dn: n/a

Wall Thickness: 6"
 Floor Height: 8"

Height (Int): 18"
 Height (Ext): 26"

Weight (Net): 4612 lb
 Volume (Net): 1.18cu.yd