

Job Name: 25-3560 Stephens Behavioral Consulting
 Job Location: Shelbyville, KY
 Contractor: Joda International Inc.

Plant: Beaver Dam
 2/9/2026 9:29:02 AM

Tech: S. Felletter
 PC: T. Lewis



Structure ID: JB-10

P2 MH048CN36

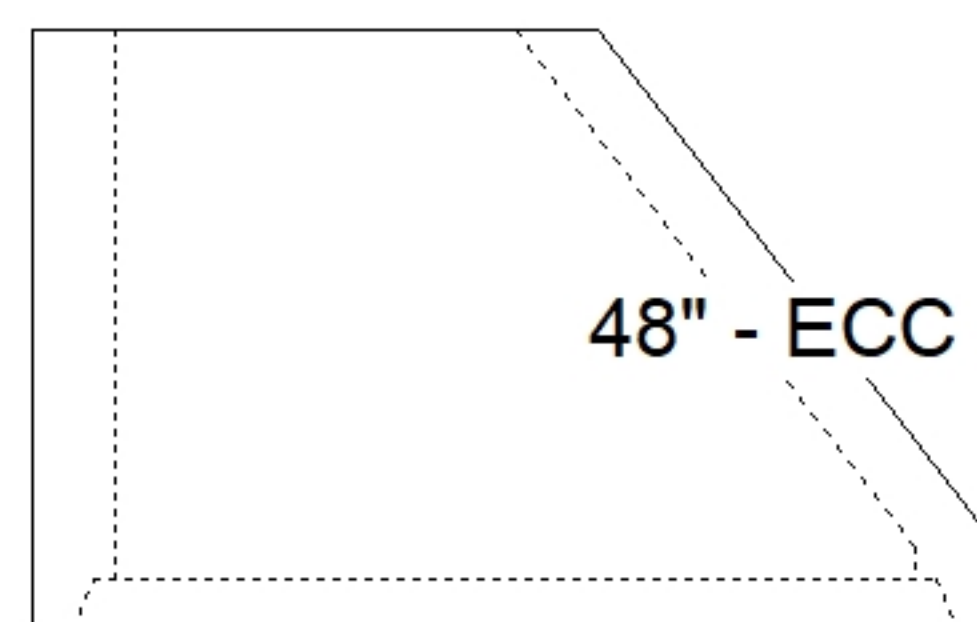
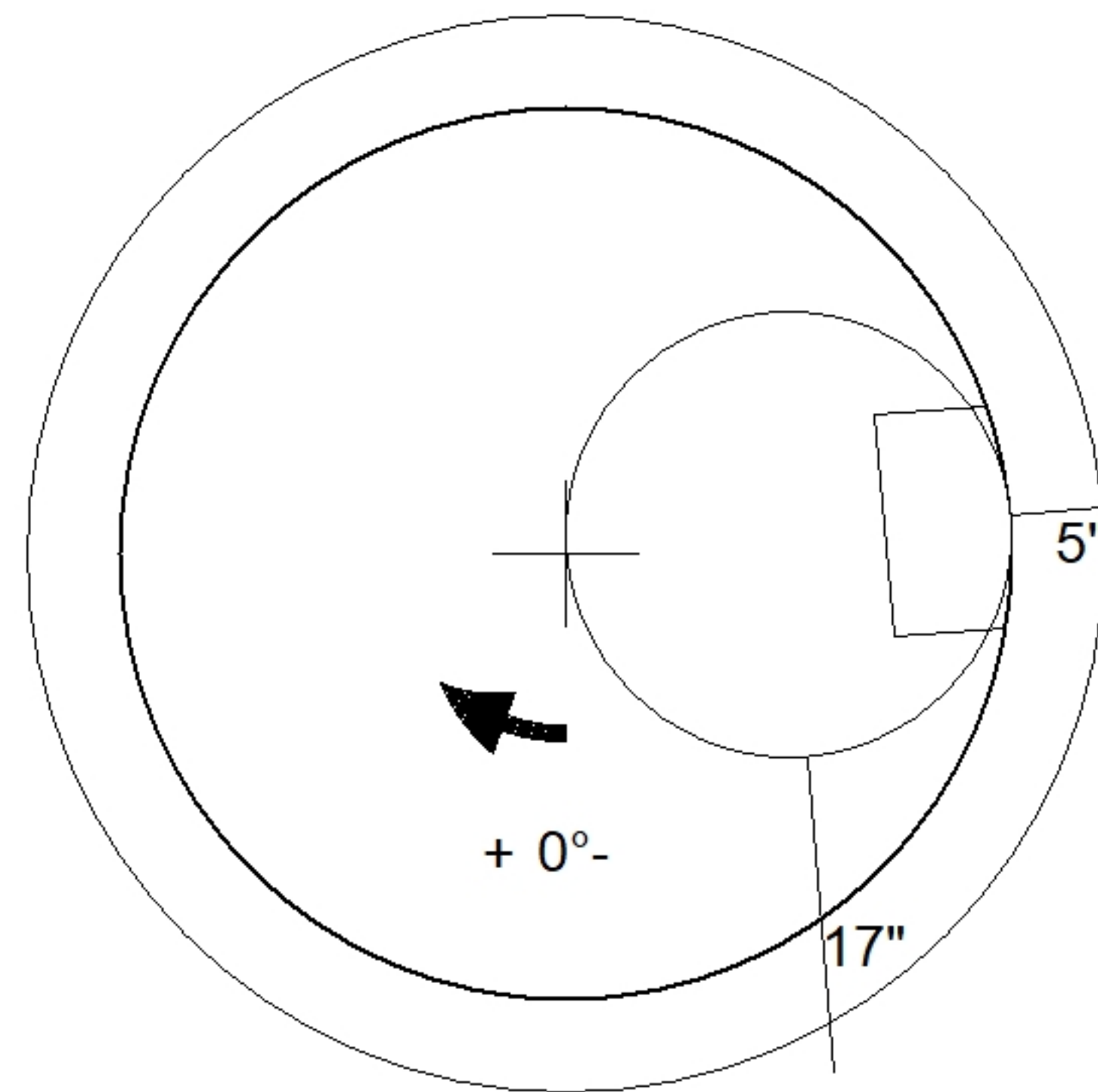
ECC CONE w/ 24" HOLE F/G

- P4) 24" - CASTING HEIGHT - 7"
- P3) 24" - GRADE RING F/F - 4"
- P2) 48" - ECC CONE w/ 24" HOLE F/G - 36"
- P1) 48" - MH BASE T/n - 30"
- 1) 48" - Conseal CS-102 1.00"
- 2) Hole - 16
- 6) MH Step ML-10-TDS-NCR - 10"

0 lb
 270 lb
 3000 lb
 3255 lb
 0 lb
 0 lb
 0 lb

 Structure Total: 6524 lb

Structure Notes:
 1. PER ASTM C478 SPECIFICATIONS.
 2. CONCRETE = 4,000 PSI AT 28 DAYS.
 3. REINFORCING PER ASTM A615 (GRADE 60).
 - TOP SLAB (As .62) #5 BARS AT 6" C.C.E.W..
 - RISER/WALLS (As .12)
 - FLOOR (As .31) #5 BARS AT 12" C.C.E.W.
 4. CASTING HOE MC-420 F/C "STORM" BY ICAST.



48" - ECC CONE w/ 24" HOLE F/G - 36" - (P2)

Coating (Int): Coating (Ext):	Seam Up: Flat Seam Dn: Groove	Wall Thickness: 5"	Height (Ext): 36"	Weight (Net): 3000 lb Volume (Net): 0.5cu.yd
----------------------------------	----------------------------------	--------------------	-------------------	---